

# RIADA 1500 FREESTANDING BATH

## PRODUCT SPECIFICATIONS



<b>FINISH</b>	Gloss white interior Matt finish exterior
<b>MATERIAL</b>	Acrylic, fiberglass reinforced
<b>WIDTH (mm)</b>	1500
<b>DEPTH (mm)</b>	750
<b>HEIGHT (mm)</b>	585
<b>WORKING WATER CAPACITY</b>	243 L
<b>WASTE POSITION</b>	Centre
<b>ORIGIN</b>	PRC
<b>STANDARD APPROVALS</b>	AS/NZS 2023-1995

### NOTES

- 5 year warranty\*
- Designed in Aotearoa / New Zealand
- Slim edge with matt, fluted design
- Suitable for wall or floor mounted tapware
- Included - adjustable feet for easy installation\*\*

### PRODUCT CODES & FINISHES



BFRI05MW150  
Matt White



BFRI05SG150  
Slate Grey



BFRI05CM150  
Cement

SEPTEMBER 2023

ALL MEASUREMENTS ARE NOMINAL

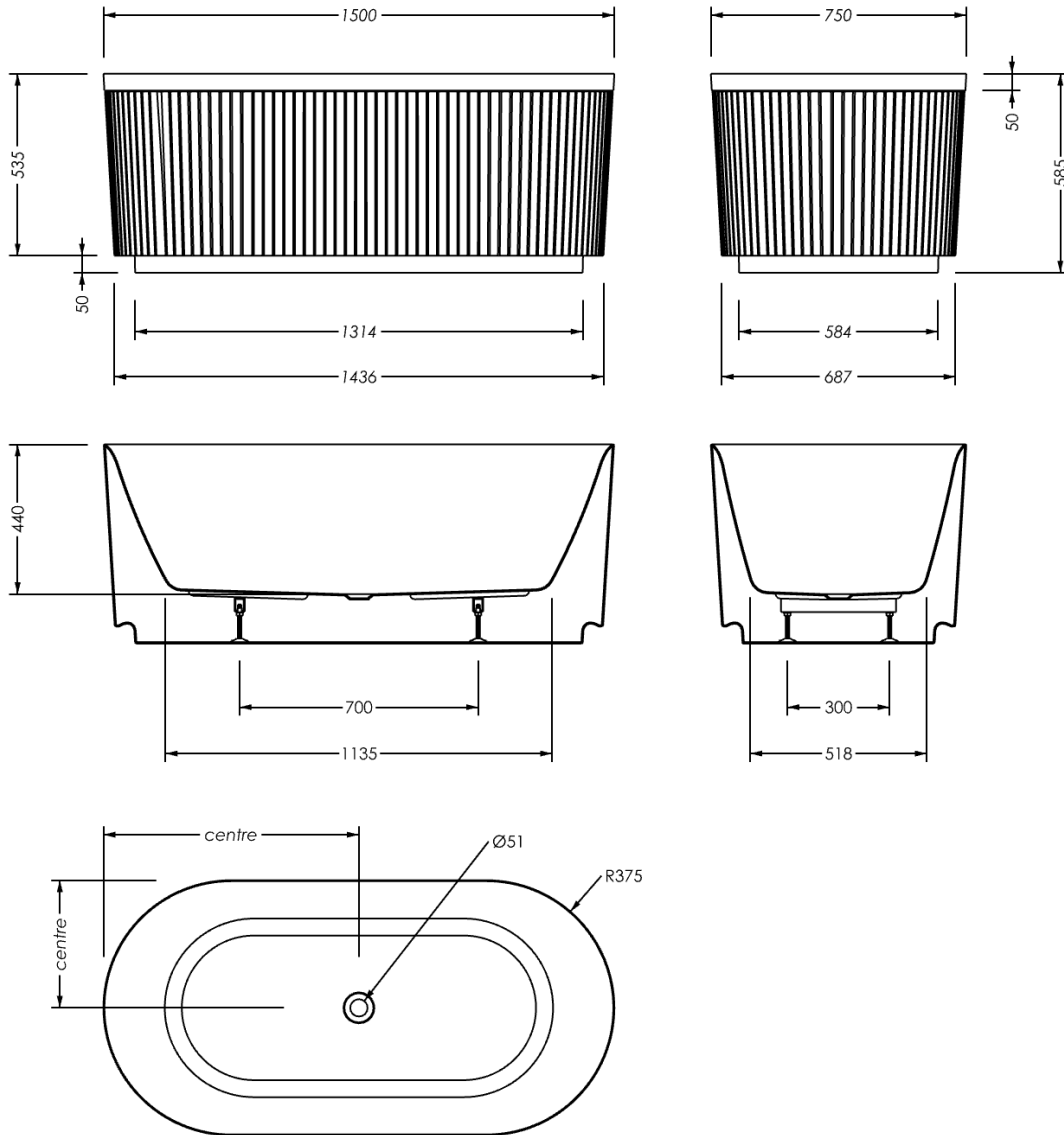
\*Warranties apply to residential domestic use only. Warranty is void if product is not installed according to our specifications.

\*\*For further information on product options and installation guides, refer to website.

[athena.co.nz](http://athena.co.nz)

# RIADA 1500 FREESTANDING BATH

## TECHNICAL SPECIFICATIONS



SEPTEMBER 2023

ALL MEASUREMENTS ARE NOMINAL

\*Warranties apply to residential domestic use only. Warranty is void if product is not installed according to our specifications.

\*\*For further information on product options and installation guides, refer to website.

[athena.co.nz](http://athena.co.nz)