

# athena

B A T H R O O M S

## Installation Instructions

### Angle Corner & Round Enclosures

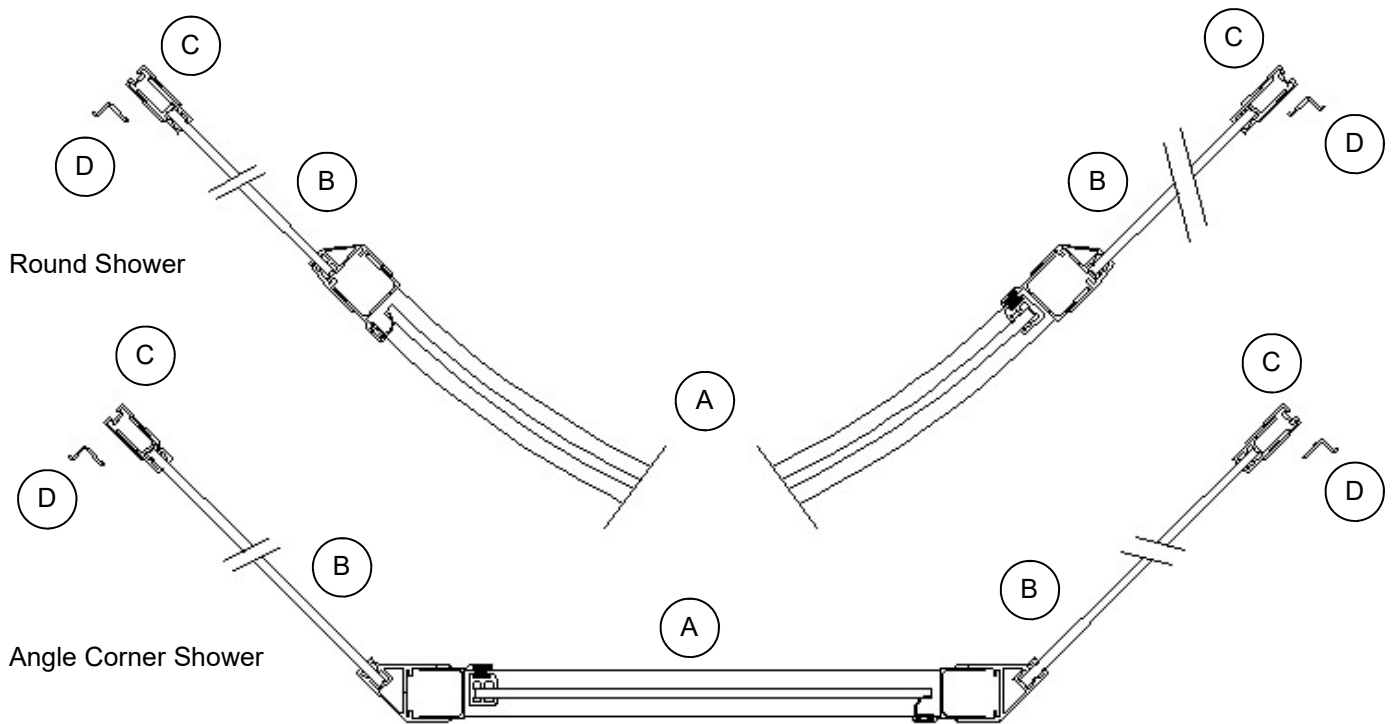


Before Installation please check that your shower enclosure system is undamaged  
Please read these instructions carefully

## TOOLS REQUIRED

- Electric or Cordless Drill
- No.1 Square Drive screwdriver or screwdriver bit
- Spirit Level
- Soft Pencil
- 3.0mm Twist Drill Bit
- Tape measure
- Caulking gun
- Sharp knife
- Hacksaw with fine tooth blade (18 TPI)
- Masking Tape

## COMPONENTS



Number	Description	Quantity
A	Door Assembly	1
B	Return Panel Assembly (includes Return Sill)	2
C	Return Wall Starter	2
D	Cover Trim	2

### Installation Kit Includes

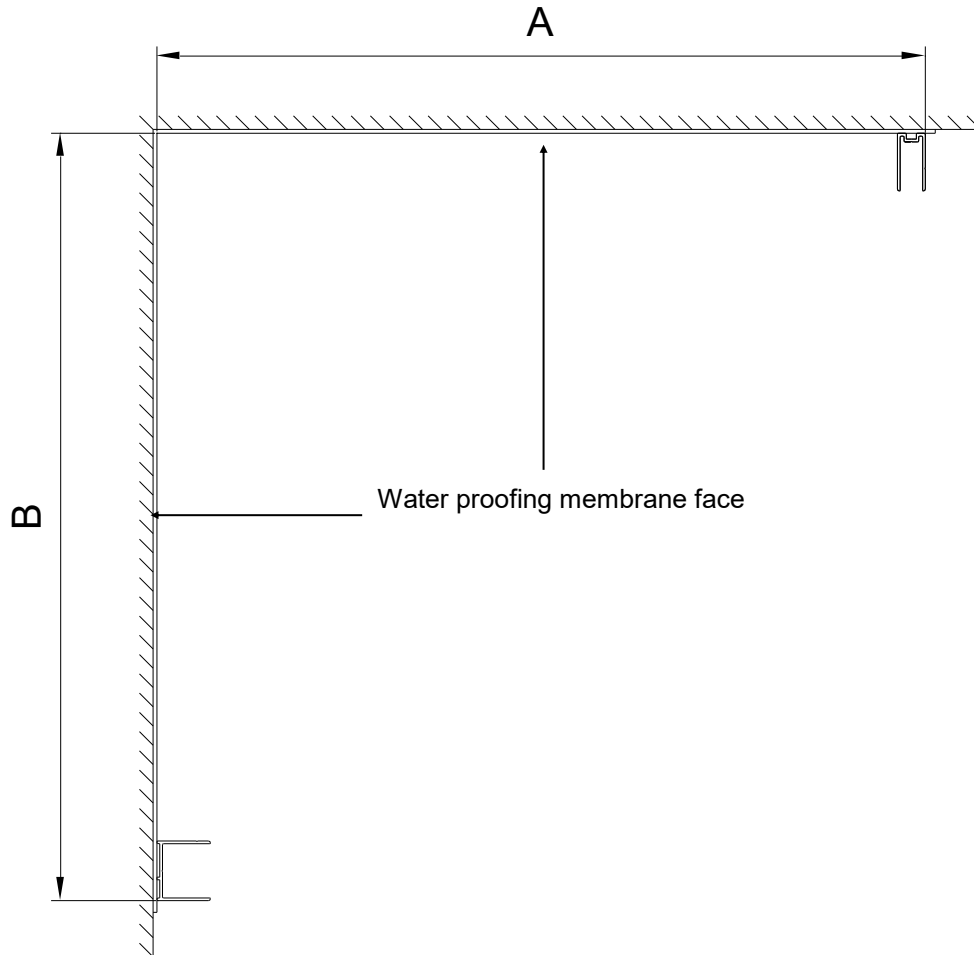
Door Handle Set	1
Drip Seal Set	1
No.6 x 10 Pan Pozi Stainless steel screw	22
No.6 x 40 Pan Pozi Stainless steel screw	6
NG Silicone sealant	1
Adhesive Tape (Pad)	1
Screw Caps	22
Brace Brackets	2
Instructions	1

# WALL STARTER POSITIONS

## Acrylic wall liner or tiles on an Athena acrylic tray – All sizes

Set the outside face of the Wall Starters 10mm in from the front edge of the acrylic tray

## Tiled walls with tiled floor



DIMENSION (refer to diagram above)	900mm Square	1000mm Square
A - from Water Proof Membrane surface	877 +/- 3mm	977 +/-3 mm
B - from Water Proof Membrane surface	877 +/- 3mm	977 +/-3 mm

### **IMPORTANT:**

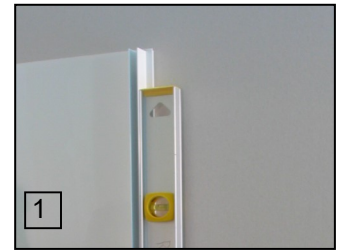
Wall Starters must be **mounted & sealed to the Water Proofing Membrane Surface BEFORE Tiling**. Failure to do so will reduce range of adjustment of the door set which may prevent it from being installed on the tray. Sealing to the Water proof membrane will also ensure water is contained within the confines of the shower

## INSTALL THE DOOR AND RETURN STARTERS

1. Position the Return Starter according to the specifications on Page 3  
Using a spirit level ensure the Return Starter is plumb

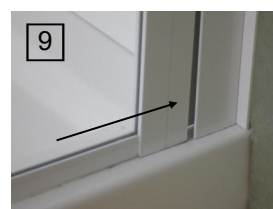
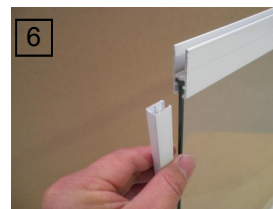
**NOTE: The Vee groove on the legs of the Wall profiles will always face to the inside of the shower**

2. Drill 3 equally spaced holes down the length of the Return starter and into the wall using a 3.0 mm twist drill
3. Before screwing the Starter to the wall apply a continuous full length bead of NG silicone sealant in the groove on the rear of the Return starter
4. Screw the Return starter to the wall using the No.6 x 40mm stainless steel screws provided. If there are no studs to fix to wall anchoring devices must be used (Not supplied). Re-check that the Return starter is plumb
5. Repeat for the opposite Return starter on the opposite side.



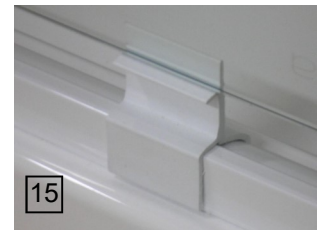
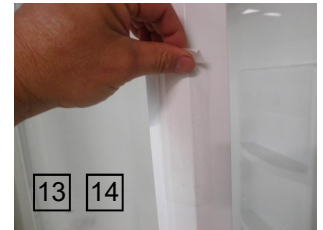
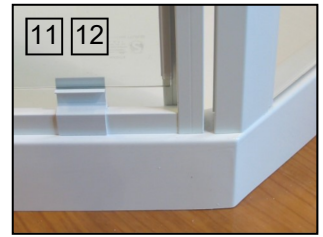
## INSTALL THE RETURN PANELS

6. Return Sills are supplied with the Return panels and are only temporarily clipped to one end of each panel. As the Return panels can be installed left or right hand **it is necessary to remove the sill, apply sealant and attach to the correct end of the Return panel**
7. Apply a small continuous bead of NG Silicone sealant into the bottom of the Return sill channel. **Do not fill** the channel with silicone as this will be excessive and the majority will ooze out making cleanup difficult
8. Fit the Return Sill to the lower edge of the Return panel. Carefully wipe away any excess silicone that may ooze out
9. Slide the Return Panel into the Return Starter
10. Repeat for the other Return Panel



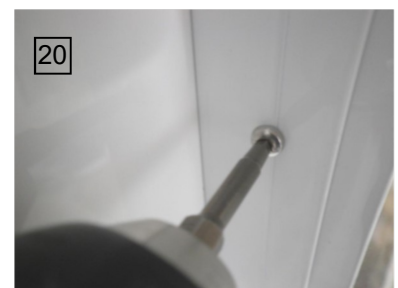
## INSTALL THE DOOR ASSEMBLY

11. Position both Return panels so the 135° corner posts are near the edge of the tray (This will aid door installation)
12. Determine if the door is to be hinged left or right handed (**The door must always open outwards**)
13. Fit the Door assembly into one of the 135° corner posts and fully engage.
14. Align the other 135° corner post with the Door and slide over the Door Jamb. Centralise the Door assembly between the 135° Corner posts. During the assembly use the clear adhesive tapes provided to temporarily hold the enclosure components together
15. **Do not remove the Setting block from the sill of the door**
16. The Door handle can now be attached. Ensure that the clear gaskets are placed either side of the glass and the plastic sleeves are placed over the threads of the handles



## SECURING THE ENCLOSURE

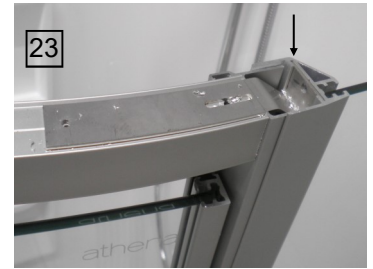
17. True up the enclosure using a spirit level. **Ensure the “maximum position line” is not visible on any of the aluminium joinery.** (This is a small vertical groove on both the Door jamb and Return panel profiles)
18. Test the door for operation. Realign if necessary. **The door magnet should be in contact with the jamb magnet over its full length.**
19. After achieving alignment, from the inside, drill four 3.0 mm holes, starting 30mm from the ends and then equally spaced down the screw indicator line on one of the Return starters. The screw indicator line is a “Vee” groove that runs down the length on the inside faces of the Return Starter, and 135° Corner posts to ensure correct position of screws in relation to other components.
20. Secure with No.6 x 10mm stainless steel screws supplied.
21. Repeat the above procedure for other Return starter. Remove the setting block from Door sill on completion.
22. Cover all screw heads with the screw caps provided



## BRACE BRACKET INSTALLATION

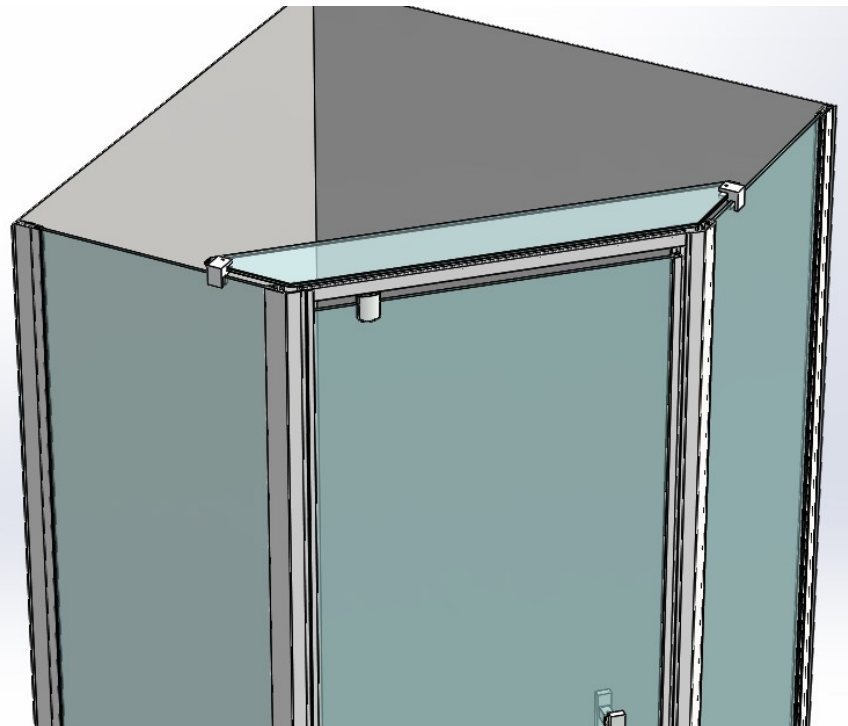
23. Slide the inline connector bracket into the slot of the Inline connector profile and the top of the door frame. Drill a 3 mm hole centrally in the slot and hole of the bracket.
24. Screw the bracket into the Door frame with the 10mm stainless steel screws supplied.
25. Cover the screw heads with the screw caps provided
26. Repeat for the otherside

**Please Note: Images shown are for a Round Enclosure.  
A Round shower uses a left hand and a right  
hand bracket. For an Angle corner shower the  
brackets are the same**



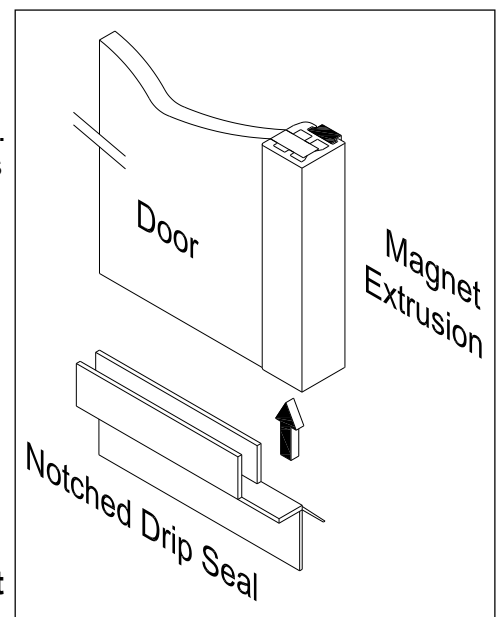
## Angle Corner Shower– 2 metre height only (Soul)

The 2 metre tall Angle corner Soul door enclosure is supplied with an additional glass brace. (packaged with the Return Panels)  
To install this glass brace attach the chrome Brackets to the end of the glass brace ensuring the clear gaskets are in place.  
Lift the brace into position so it bridges the door with the ends aligned to the return panels.  
Fit the brace clamps over the tops of the Return panels and tighten the grub screws to lock the brace in position



## FITTING THE SEALS

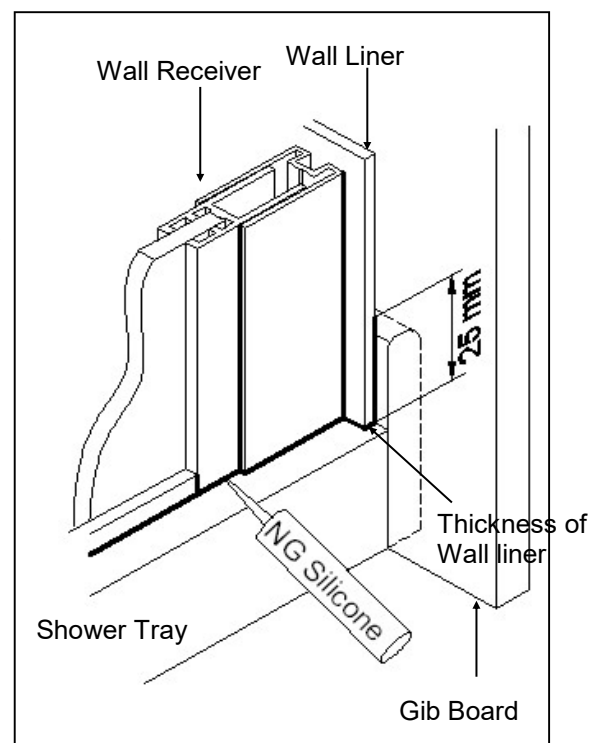
27. For doors that are fitted with a full length aluminium magnet extrusion the long drip seal must be notched. This will allow the drip seal to extend under the end of the extrusion. Mark and trim only the rigid "U" section of the drip seal; this leaves the flexible blades to extend under the extrusion. For doors with the clear plastic magnet extrusion, simply slide the magnet extrusion so it is flush at the top of the door; the drip seal will clip to the glass without requiring any notching.
28. Fit the drip seals to the door glass with the **short angle blade facing towards the inside of shower**
29. Mark both seals around the pivot block, forming two steps over the profile of the block as indicated by the photo. Cut both seals as indicated. **The seal should just clear the pivot block profile when the door closes.**
30. Starting at pivot block end of seal, refit both door splash seals and check profile cut matches pivot block.



## SEALING THE ENCLOSURE

**The shower is only sealed on the outside, do not seal inside**

31. Apply a small bead of NG silicone wherever the shower enclosure meets the tray. (The use of masking tape will ensure a neat finish)
32. Apply a small bead of NG silicone at each joint of the enclosure extending at least 100mm vertically from the tray
33. Apply a small bead of NG silicone at each end of the Return sills where they finish against the other profiles
34. On the outside of the shower where the wall liner meets the tray apply a bead of NG Silicone sealant. Continue this bead of sealant across the front (2.0mm thickness) of the wall liner and then 25mm vertically up the back edge of the wall liner where it meets the tray



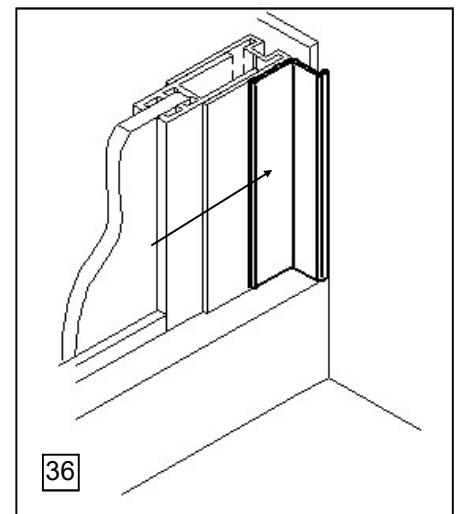
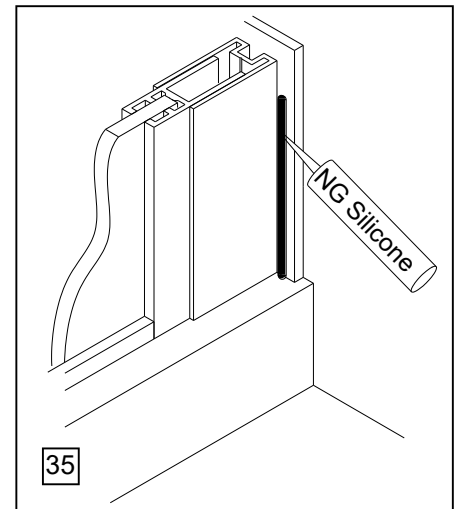
## INSTALLING THE COVER TRIMS

All Door sets come with Cover trims. These are only fitted to showers with acrylic wall liners. Cover trims are fitted to give a neat external edge where the wall liner finishes outside of the shower enclosure

### NOTE:

If the Wall liner has been installed correctly it should be set slightly back from the front edge of the tray. Check that Wall liner edge does not protrude further forward than the front edge of the tray. If it does the Wall liner will need to be trimmed back in order for the Cover Trims to be installed

35. Apply a small bead of NG Silicone to the wall lining protruding out side of the shower
36. Take the Cover trim and imbed it into the silicone
37. Repeat for the opposite side
38. Allow the sealant to cure for 24hrs before use



**Allow Silicone to cure for a minimum of 24hrs prior to use**

