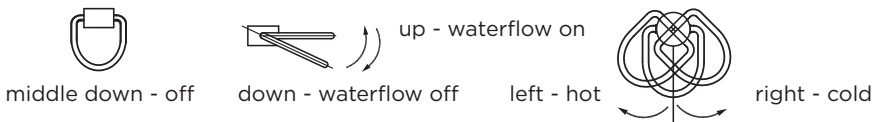
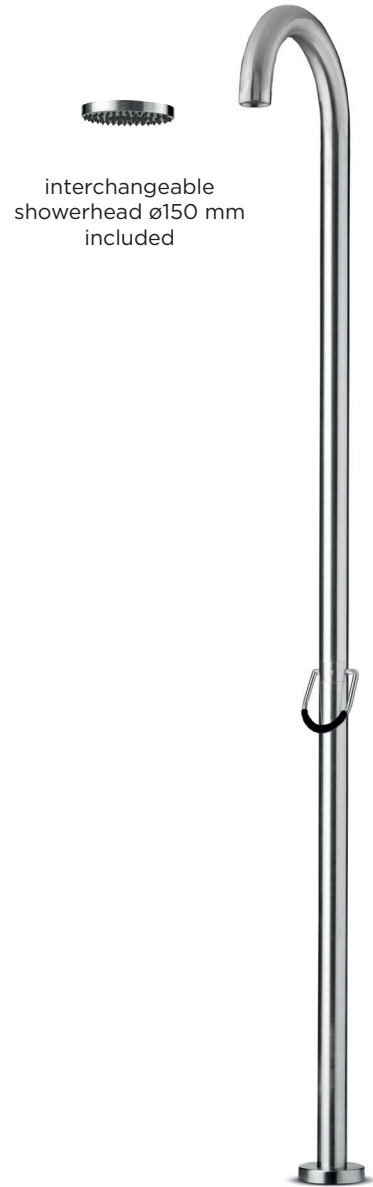
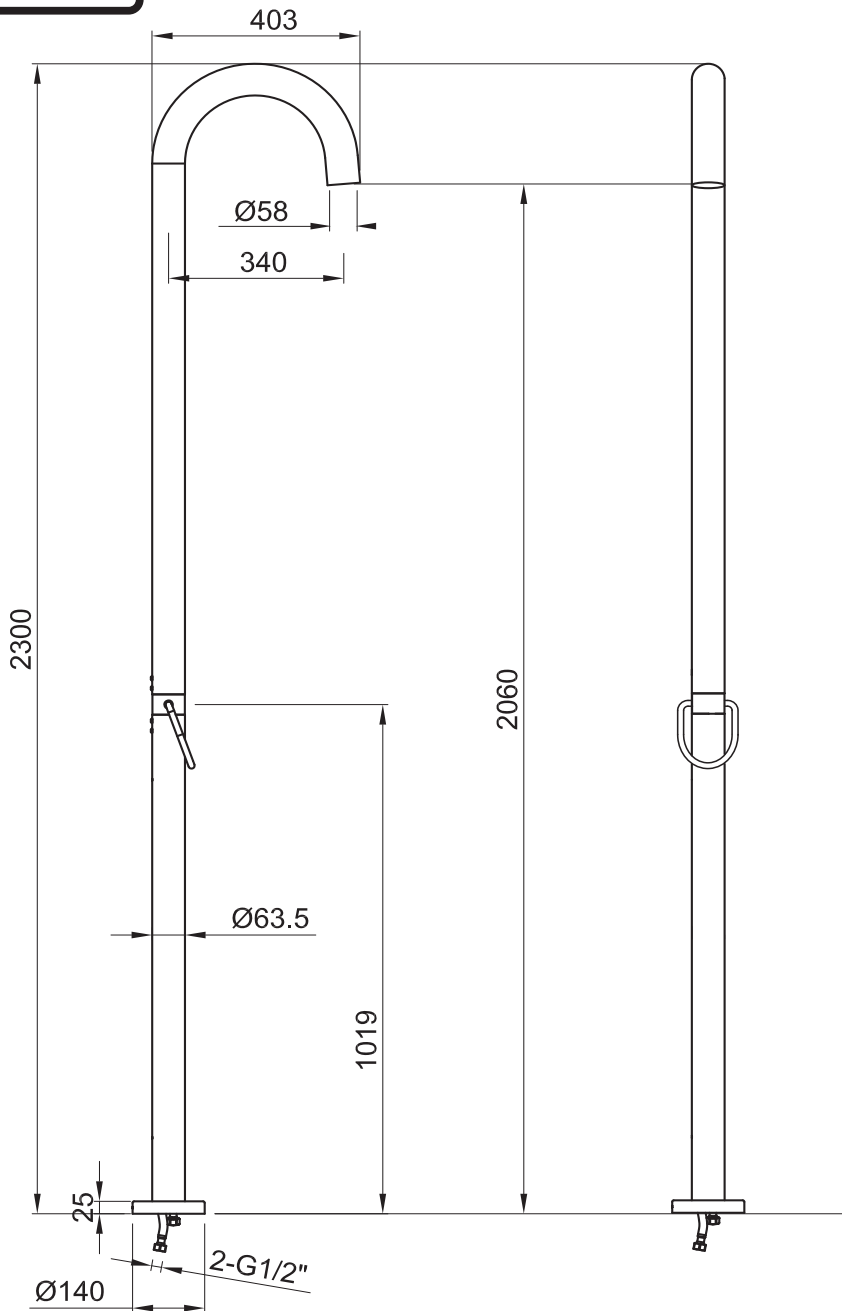




JEE-O original shower 01 specifications



Article code:	100-6100 ● Brushed stainless steel	Connection:	2 x G 1/2" ($\varnothing 15$ mm / 0.6") nylon ^(out) /epdm ⁽ⁱⁿ⁾ flexhose with stainless steel swivel British Standard Pipe (BSP)
Material:	Stainless Steel r316	Thread:	
Cleaning instructions:	download JEE-O shower and taps manual on our website: www.jee-o.com	Dimension package:	L 159 x W 27 W 66 x H 19 cm
Cartridge:	Kerox ceramic mixing mechanism (35mm), item code 005-0101	Total weight:	12,5 kg
Interchangeable shower heads	$\varnothing 58$ mm/43 nozzles, item code 100-6120 $\varnothing 150$ mm/100 nozzles, item code 100-6140	Package weight:	3,2 kg
Flow at water of 38°C / 100,4°F:	12l p/m at 3bar pressure	Placing on a water-tight floor	
		7 year warranty - The general conditions can be found on our website: www.jee-o.com/downloads	
		HS code:	84818011900
		Approvals:	SLS BS EN 817, SS 375, AS/NZS 4020, BS EN

