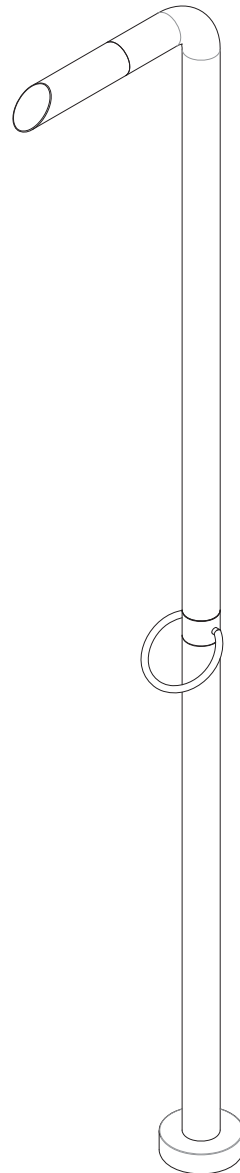
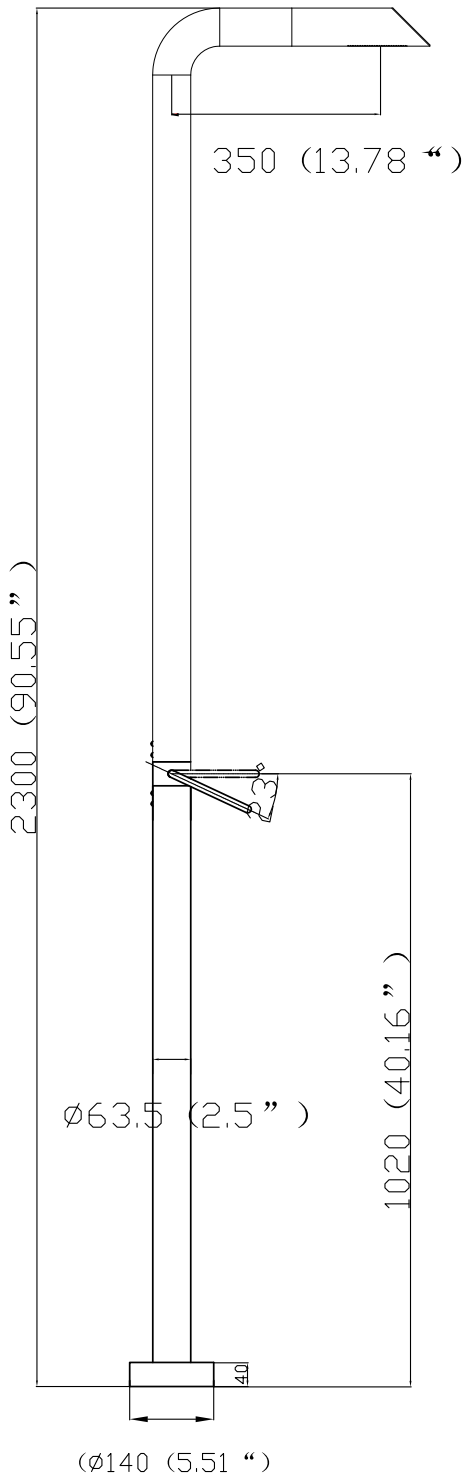




## JEE-O pure 09



Article code:  
 400-2400 (pure-09-brushed)  
 400-2480 (pure-09-polished)  
 Cartridge: Cedal / normal  
 Material: Stainless Steel r304  
 Connection: nylon<sup>(out)</sup>/epdm<sup>(in)</sup>  
 flexhose with brass swivel  
 Flow at water of 38 °C / 100,4 °F  
 1l / 2.9gal p/m at 3bar presure  
 Dimension package:  
 L 158 x W 18 W 54 x H 16 cm  
 L 62,2 x W 7,1 W 21,3 x H 6,3"  
 Weight: 11.5 kg / 25.35lbs  
 Package weight: 2,0kg / 4.40lbs  
 Placing on a water-tight floor  
 2 year warranty  
 HS code: 84818011900

Note: UV radiation and extreme temperature can affect the color and structure of the JEE-O pure surface.

[www.jee-o.com](http://www.jee-o.com)

