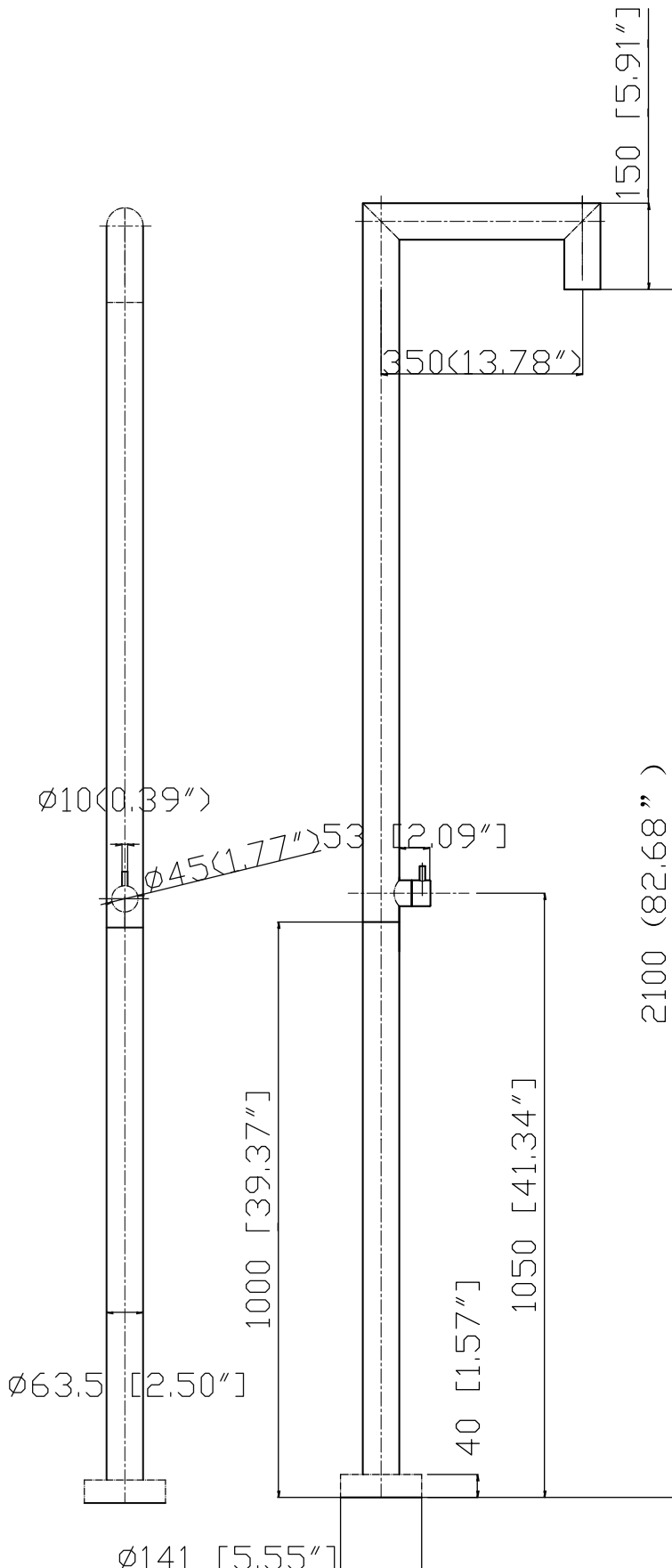




JEE-O original 04



Article code:
 400-6600 (original-04-brushed)
 400-6680 (original-04-polished)
 Cartridge : Cedal / progressive
 Material: Stainless Steel r304
 Connection: nylon^(out)/epdm⁽ⁱⁿ⁾
 flexhose with brass swivel
 Flow at water of 38 °C /100.4 °F
 12l / 3.2gal p/m at 3bar presure
 Dimension package:
 L 158 x W 18 W 54 x H 16 cm
 L 62,2 x W 7,1 W 21,3 x H 6,3"
 Weight: 11.2 kg / 24.69 lbs
 Package weight: 1,5kg /3.31lbs
 Placing on a water-tight floor
 2 year warranty
 HS code: 84818011900



Note: UV radiation and extreme temperature can affect the color and structure of the JEE-O original surface.

www.jee-o.com

