

Aulic



Emerald Collection

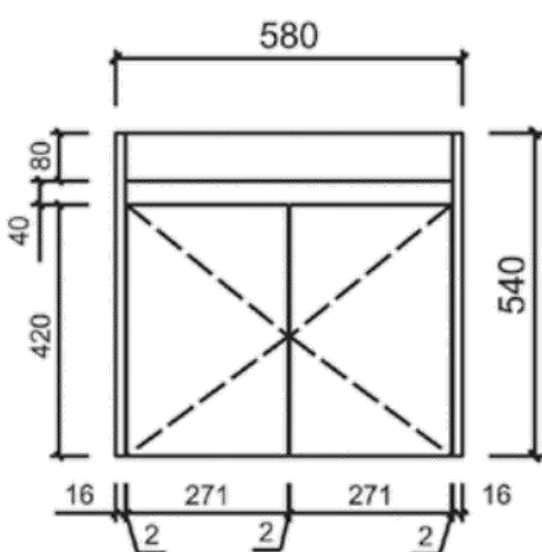
York Wall Hung

Code: CAWH21

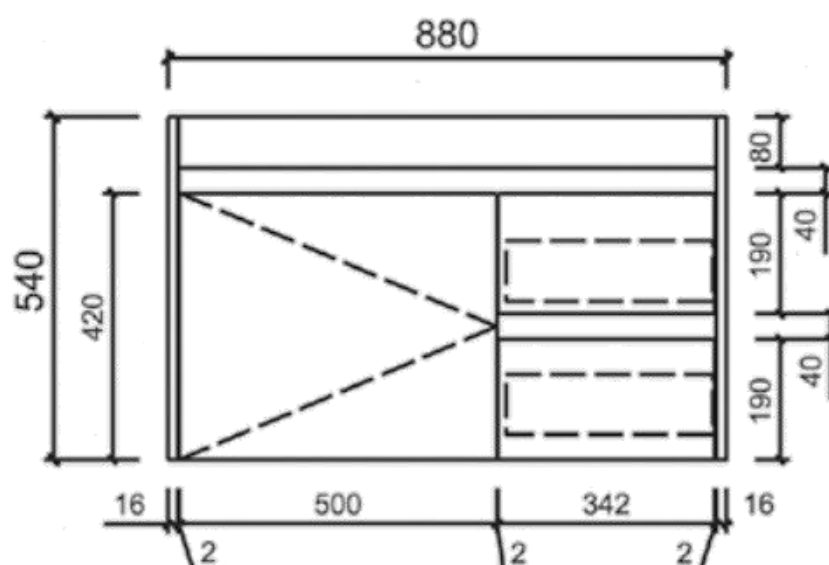
Features:

- Overall Length: from 600mm to 900mm
- Overall Depth : 360mm
- With ceramic top only
- Soft-closing drawers and doors
- Full extention drawers
- Premium graphite interior
- Bevel-grip finger pull

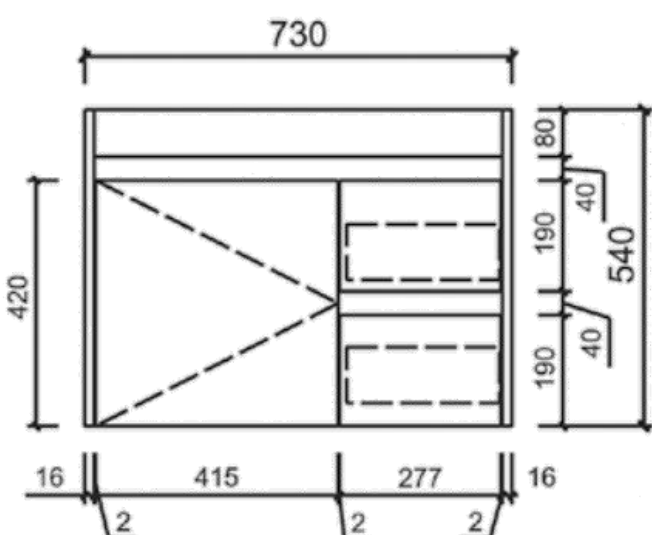
CAWH21-600



CAWH21-900



CAWH21-750



End view

