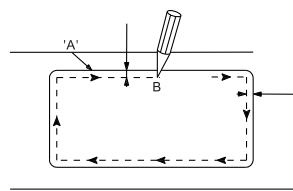


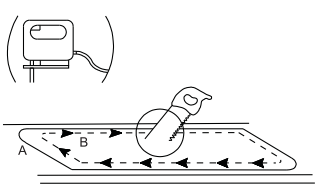
INSTALLATION INSTRUCTIONS | EVERHARD TOP MOUNTED SINKS

1.



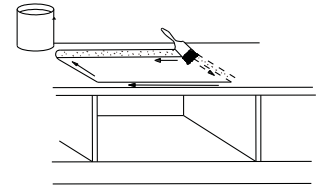
USING THE CUT OUT TEMPLATE PROVIDED, MARK THE CUT OUT LINE ON THE BENCHTOP

2.



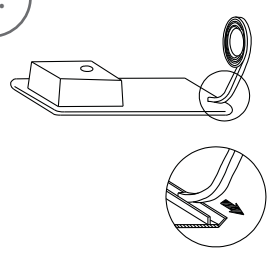
CUT THE SINK CUT OUT TO THE INSIDE OF THE CUT OUT TEMPLATE

3.



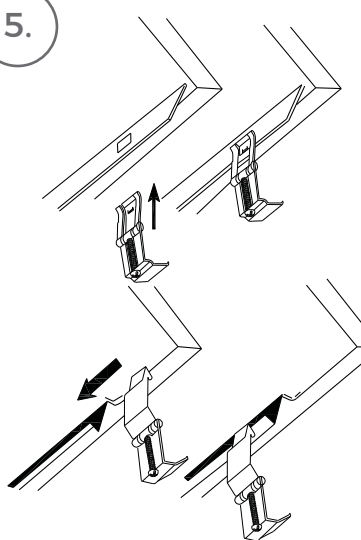
SEAL THE CUT SURFACES

4.



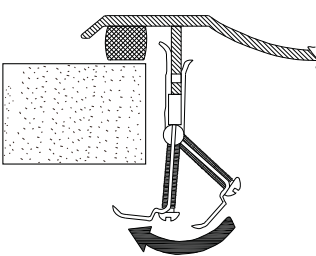
FIT GASKET TO SINK ENSURING DOUBLE THICKNESS AT THE CORNERS AND/OR USE SILICONE SEALANT TO ENSURE A GOOD SEAL

5.



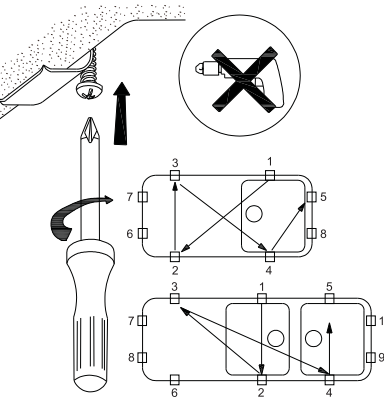
PUSH CLIPS ON TO THE RAIL

6.

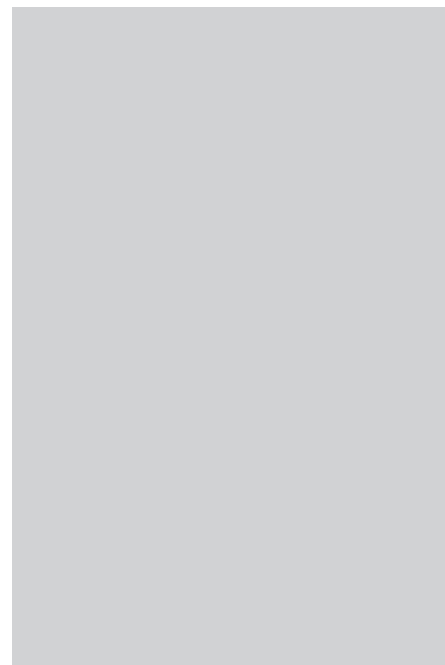


ROTATE CLAW UNDER WORKTOP

7.

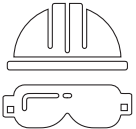


LIGHTLY TIGHTEN ALL CLIPS, LASTLY, TIGHTEN ALL CLIPS IN THE ORDER SHOWN



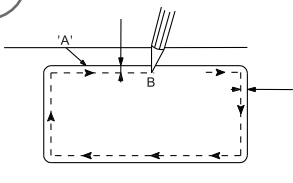
INSTALLATION INSTRUCTIONS | EVERHARD UNDERMOUNTED SINKS

1.



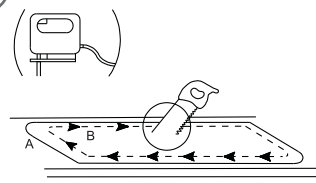
YOU CAN MOUNT THE PRODUCT ON YOUR OWN. IT IS RECOMMENDED, HOWEVER, THAT 2 PEOPLE PARTICIPATE IN THE MEASURING AND ALIGNMENT WORKS REQUIRING PRECISION. ALWAYS WEAR PROTECTIVE GLASSES AND GLOVES THROUGHOUT THE ASSEMBLY.

2.



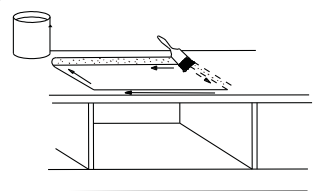
DRAW A CUTTING LINE WITH A PENCIL ON THE WORKTOP BY THE HELP OF THE DIMENSIONS SHOWN ON THE INSTRUCTION PACK. THE RECOMMENDED MINIMUM DISTANCE FROM THE EDGE OF THE OPENING TO THE EDGE OF THE WROKTOP IS 50MM.

3.



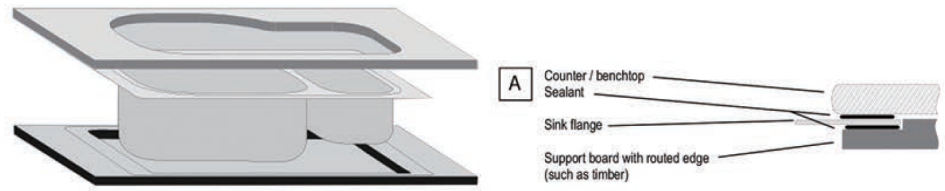
CUT THE SINKING OPENING WITH A SUITABLE TOOL IN THE WORKTOP ALONG THE DASHED LINE. DETERMINE LOCATION FOR MOUNTING BRACKET, SPACE EVENLY AROUND THE UNDERSIDE, MOUNTING HOLES SHOULD BE 13MM OUT FROM EDGE OF THE SINK LEDGE. KNOCK THE PLASTIC EXPANSION SCREW INTO THE MOUNTING HOLE.

4.



APPLY A BEAD OF CAULK ABOUT 3-5MM AWAY FROM THE EDGE OF THE COUNTER CUTOUT AND THEN ALIGN SINK ON COUNTER. CAULK NOT INCLUDED - CONSULT YOUR PROFESSIONAL INSTALLER.

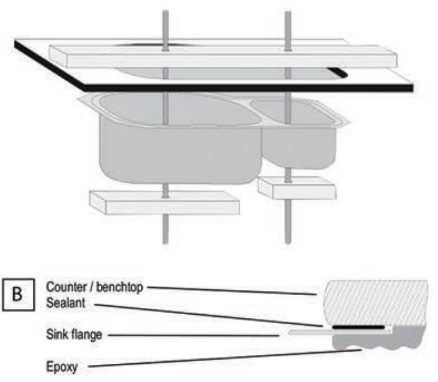
5.1



SANDWICH METHOD FOR THIN AND THICK BENCHTOPS:

- CUT OUT THE SINK HOLE ACCORDING TO THE SUPPORT BOARD. TO MAKE THE SINK FLANGE SIT ABOVE THE EDGE OF THE SUPPORT BOARD.
- ROUTE OUT THE EDGE OF THE SUPPORT BOARD SLIGHTLY WITH A ROUTER, THEN THE EDGE OF THE SINK WILL SIT FLUSH WITH THE TOP OF THE SUPPORT BOARD. NOTCH THE SUPPORT BOARD AROUND THE LOCATION OF ANY CLIP BRACKETS WHERE APPLICABLE.
- TEST THE SUPPORT BOARD BEFORE SEALING INTO PLACE.
- INSTALL SINK AND SEAL BETWEEN FLANGE OF SINK AND SUPPORT BOARD.
- SEAL THE UNDERSIDE OF THE BENCH TOP AND THE SUPPORT BOARD.
- FASTEN THE SUPPORT BOARD TOP THE UNDERSIDE OF THE BENCH TOP USING HIGH STRENGTH EPOXY COMPOUND.

5.2



BOND METHOD FOR MINIMUM BENCH THICKNESS OF 25MM:

BOND THE SINK FLANGE TO THE UNDERSIDE OF THE BENCH TOP USING HIGH STRENGTH EPOXY COMPOUND.