

Thermorail Towel Rail

12Volt Single Horizontal Bar
Heated Towel Rail

Installation Guide

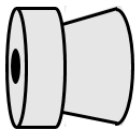
Please read these instructions carefully and in full before installation.

Hardwire Installation should be carried out by a qualified electrician.

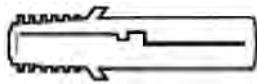
What's in the box?	3
Standard Installation	4
Mounting System Installation	5
Wiring Diagram	7
Operating Instructions	7
Technical Specifications	8
Safety & Care Information	9
Warranty Information	10
Warranty Registration	11
Contact Us	12

Check you've got everything:

- Thermorail Single Bar Rail
- 12Volt Transformer
- 2m Connection Cables
- Screw Kit including:
 - 2 x Mounting Brackets (Supplied inside bar)
 - 2 x Wall Plugs
 - 2 x Countersunk Screws
 - 2 x Grub Screws (Supplied inside bar)
 - 1 x Allen Key



Mounting Bracket*



Wall Plug



Countersunk Screw



Grub Screw



Allen Key

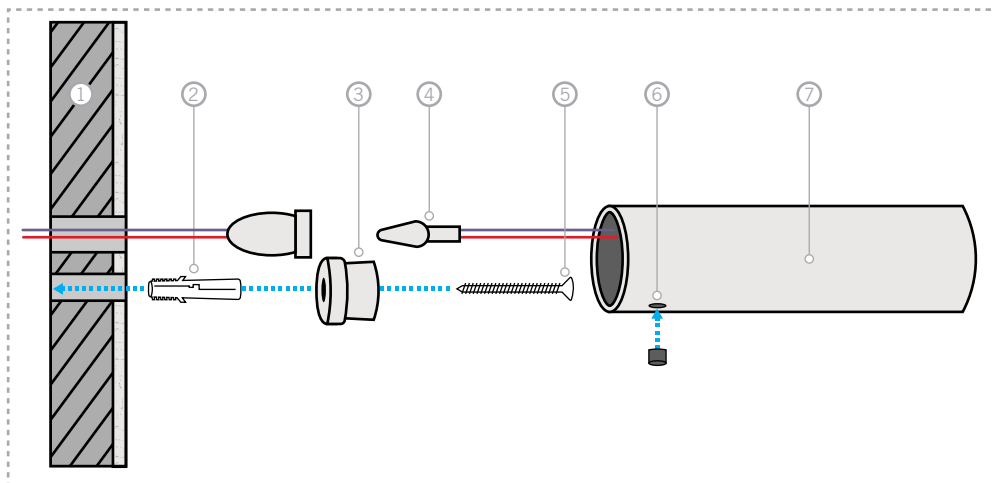
Please note these parts are not to scale

**Please note the mounting brackets for DSC6, DSP6, DSP6B and DSP6BR look slightly different*

You will also need:

- Cross Head Screwdriver
- Pencil
- Spirit Level
- Tape Measure
- 6mm Drill Bit
- Cordless Drill
- Electrical Supply

Standard Installation



Key

- 1. Wall
- 2. Wall Plug

- 3. Mounting Bracket
- 4. Connection Clip
- 5. Countersunk Screw

- 6. Grub Screw
- 7. Towel Rail

WARNING: This is a 12Volt heated towel rail and MUST be wired to a transformer (supplied). Connecting directly to the mains power supply will cause irreparable damage to the element.

1. Switch off the mains power

You will be installing the Thermorail as part of a high voltage mains electrical circuit. To ensure your safety and to protect the Thermorail, switch off the mains power before you start the installation. Please ensure that means for disconnection are incorporated in the fixed wiring in accordance with the wiring rules.

2. Install the transformer and connection cable

The transformer is to be installed in the ceiling or the wall cavity no further than 2m from the rails and needs to be connected to the mains power supply in accordance with current local building regulations. If mounting in the wall cavity the transformer must be behind an access plate or a timer/switch to enable access and the transformer must have ventilation. Wire up the connection cable(s) to the transformer ensuring that multiple rails are wired in parallel. Ensure the transformer is wired up correctly according to the diagram on page 7.

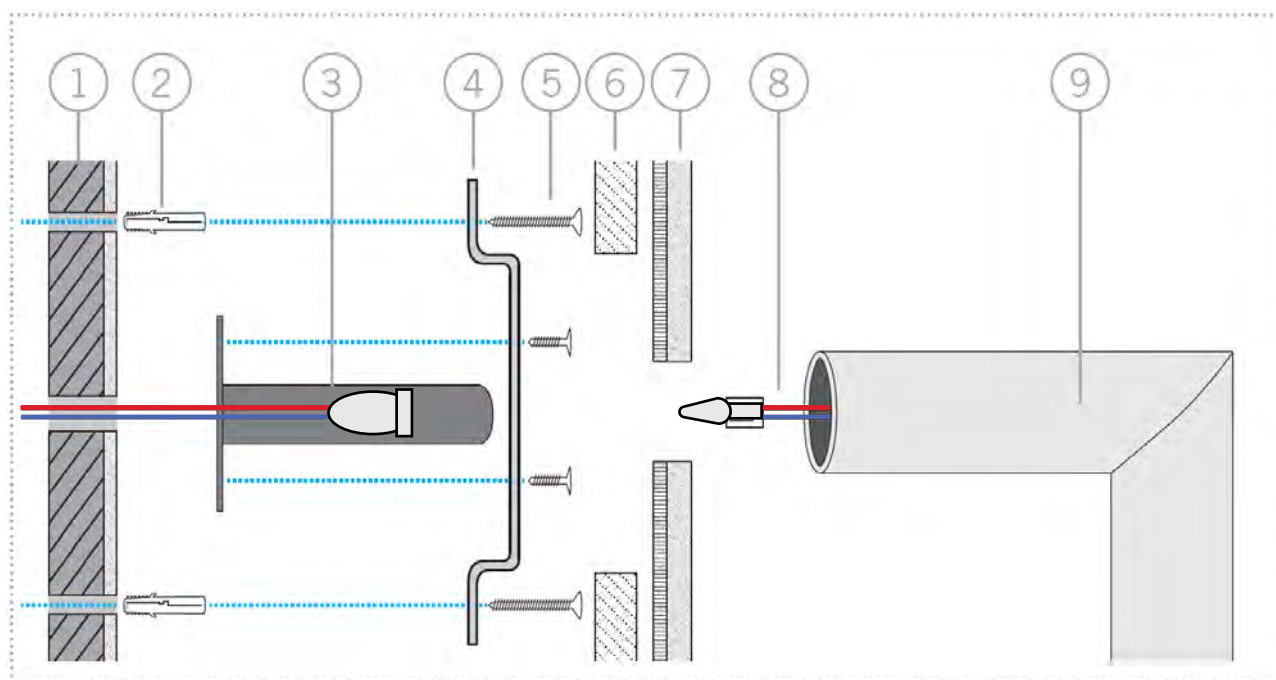
3. Install the two wall brackets

Measure and mark out the bracket positions making sure that they are level. Drill a 6mm hole for each of the wall brackets and insert the suitable wall plugs. Now fix the two wall brackets in place using a screwdriver and countersunk screws provided. On the right hand side drill a 2nd 6mm hole for the cable.

4. Fix the Thermorail in position

Remove the grub screws from the rail and locate over the mounting brackets. Connect the cable clips and fix the rail in position and tighten with the grub screws and allen key provided. Repeat for all rails. Ensure the connection clips are clipped together securely.

Mounting System Installation



- | | | |
|------------------------|-----------------------|-----------------------|
| 1. Wall | 4. Mounting system | 7. Tiles and adhesive |
| 2. Suitable wall plugs | 5. Countersunk screws | 8. Connection clip |
| 3. Mounting spigot | 6. Tile backer boards | 9. Towel rail |

WARNING: This is a 12Volt heated towel rail and MUST be wired to a transformer (supplied). Connecting directly to the mains power supply will cause irreparable damage to the element.

1. Switch off the mains power

You will be installing the Thermorail as part of a high voltage mains electrical circuit. To ensure your safety and to protect the Thermorail, switch off the mains power before you start the installation. Please ensure that means for disconnection are incorporated in the fixed wiring in accordance with the wiring rules.

2. Install the transformer and connection cable

The transformer is to be installed in the ceiling or the wall cavity no further than 2m from the rails and needs to be connected to the mains power supply in accordance with current local building regulations. If mounting in the wall cavity the transformer must be behind an access plate or a timer/switch to enable access and the transformer must have ventilation. Wire up the connection cable(s) to the transformer ensuring that multiple rails are wired in parallel. Ensure the transformer is wired up correctly according to the diagram on page 7.

3. Install the mounting system

The mounting system is only required at the wiring position which is on the right-hand side and each rail will require only one mounting spigot. Fix all the spigots to the mounting system (using the larger holes) at the desired spacing with the supplied fixing screws. Measure and mark out the vertical installation line where you are going to install the mounting system. Mark and predrill fixing holes and holes for the electrical connection cables to pull through. Please Note: The electrical cables need to come through the same holes as the mounting spigots above the spigot. Fix the mounting system to the wall with suitable fixings and pull all the electrical connection cables through the mounting system ready for installation. Overboard the wall with 12mm gyprock or villa board and cover the mounting system with mesh tape to aid adhesion of the tile adhesive.

4. Tile the wall

Adhere the tiles to the wall. Drill or cut out a 14mm hole in the tile(s) that will be installed over the spigots. This will allow the spigots to protrude through the final tiled wall finish.

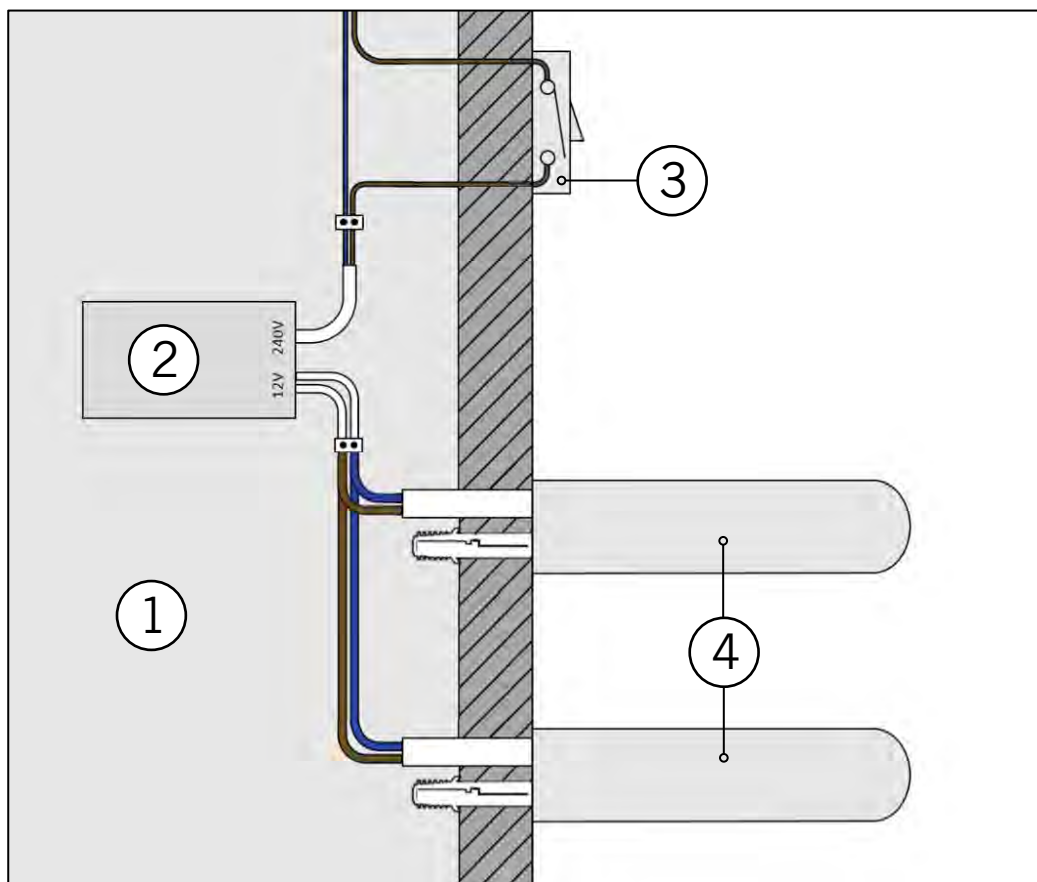
5. Install the left-hand side mounting bracket

Measure and mark out for the left-hand side mounting bracket ensuring it is level with the spigot(s) on the right-hand side. Drill the holes and insert suitable wall plugs. Now fix the mounting brackets in place.

6. Fix the Thermorail in position

Remove the grub screws from the towel rail and locate the rail over the spigot and the mounting bracket. Connect the cable clips and fit the towel rail in position and tighten with the grub screws and allen keys provided. Repeat for all rails. Ensure the connection clips are clipped together securely.

60Watt Transformer Wiring Diagram



Key

1. Wall Cavity
2. Transformer
3. Switch/Timer
4. Thermorail

PLEASE NOTE: Multiple rails need to be wired in parallel

Operating Instructions

All the Heated Towel Rails in this installation guide are dry element electric Heated Towel Rails. Electric Heated Towel rails are designed to run on a low wattage and will heat up quickly, with warmth being felt within 5-10mins. The towel rail will reach optimum operating temperature in approx. 30mins. Running temperature of the Electric Heated Towel Rail is 35degrees without a towel on the rail. Once a towel has been placed on the towel rail this will insulate it and beneath the towel it will get to 50-55degrees. Although the towel rail will reach optimum operating temperature in approx. 30mins it will take approx. 3-4hours to dry the towel. Please note this will vary depending on a number of factors including the ambient room temperature, size of the towel and the dampness level of the towel. Electric Heated Towel Rails are designed to dry and gently warm a towel and are not designed as a towel heater or room heater.

Please note the vertical towel rails are designed for one towel per bar. The hook at the top is designed to ensure the towel is held more securely on the towel rail or for hanging small hand towels or face washers, not for two bath towels.

Technical Specifications

STOCK CODE	NO. OF BARS	SIZE (MM)	OUTPUT (W)	IP RATING	WARRANTY
DSR4	1	W450 x H32 x D100	14	IP45	10
DSR6	1	W632 x H32 x D100	18	IP45	10
DSR6B	1	W632 x H32 x D100	18	IP45	7
DSR6BR	1	W632 x H32 x D100	18	IP45	7
DSR6W	1	W632 x H32 x D100	18	IP45	7
DSR6GM	1	W632 x H32 x D100	18	IP45	7
DSR6BG	1	W632 x H32 x D100	18	IP45	7
DSR8	1	W832 x H32 x D100	23	IP45	10
DSR8B	1	W833 x H32 x D100	23	IP45	7
DSR8BR	1	W832 x H32 x D100	23	IP45	7
DSR8GM	1	W832 x H32 x D100	23	IP45	7
DSR8BG	1	W832 x H32 x D100	23	IP45	7
DSC6	1	W640 x H40 x D100	23	IP45	10
DSS4	1	W450 x H40 x D100	17	IP45	10
DSS6	1	W632 x H40 x D100	23	IP45	10
DSS6B	1	W632 x H40 x D100	23	IP45	7
DSS6BR	1	W632 x H40 x D100	23	IP45	7
DSS6W	1	W632 x H40 x D100	23	IP45	7
DSS8	1	W832 x H40 x D100	30	IP45	10
DSS8B	1	W832 x H40 x D100	30	IP45	7
DSS8BR	1	W832 x H40 x D100	30	IP45	7
DSP6	1	W632 x H40 x D70	13	IP45	10
DSP6B	1	W632 x H40 x D70	13	IP45	7
DSP6BR	1	W632 x H40 x D70	13	IP45	7

Supply Voltage 240V 50Hz

Transformer Voltage 12V

Wiring Side Right

Wiring Method Hardwired

Warranty on Transformer 1 Year

Safety Information

Thermorail Heated Towel Rails should be installed and tested by a qualified electrician and in accordance with current local regulations. We recommend that the rail is installed onto a flat uniform wall, with the bottom at least 600mm from the floor, with a 300mm clearance from permanent fixtures. Where possible the Thermorail Heated Towel Rail should be screwed into studs or if fixing to hollow walls suitable anchors should be used to ensure rail is secure.

Please read and understand this installation guide in full before commencing installation. If you have any queries in regards to installation, please call 1300 368 631.

- Observe and adhere to electrical guidelines when placing your Thermorail in wet areas
- Ensure any timers or switches used are installed in correct zones according to the IP rating of the timer/switch
- Ensure that your Thermorail is protected by a suitably rated RCD circuit
- Do not use the towel rail to hold towels or other articles that have been in contact with oil, petroleum based products or dry cleaning fluids
- This appliance is intended to warm and dry towels and therefore is hot to touch so when near young children or infirm persons, close supervision is necessary.
- Do not immerse your Thermorail in any liquid
- Ensure the transformer is located no further than 2m from the Thermorail(s)
- Ensure the transformer is accessible and has adequate ventilation
- Ensure that multiple rails connected to individual transformers are wired in parallel to the switch/timer.
- This appliance is not intended for use by persons (including children) with reduced physical, sensory or mental capabilities, or lack of experience and knowledge, unless they have been given supervision or instruction concerning use of the appliance by a person responsible for their safety.
- Children should be supervised to ensure that they do not play with the appliance.

If the supply cord is damaged, it must be replaced by the manufacturer, its service agent or similarly qualified persons in order to avoid a hazard.

WARNING: In order to avoid a hazard for very young children, this appliance should be installed so that the base of the rail is at least 600mm above the floor.

Care Information

The finish of your Thermorail Heated Towel Rail is hard wearing and easy to maintain. However, any harsh scrubbing, scratching or acid based cleaning products will damage the surface of your towel rail. Cleaning with a soft cloth and a non-abrasive cleaning agent will give the best results.

Warranty Information

Thermogroup covers all its products with a satisfaction guarantee. In addition, Thermogroup will supply a replacement product where a fault is shown to be caused by manufacture, materials or workmanship providing the goods have been installed correctly and according to installation instructions. This guarantee does not include removal, freight or installation costs. Our goods come with guarantees that cannot be excluded under Australian Consumer Law. You are entitled to a replacement or refund for a major failure and compensation for any other reasonably foreseeable loss or damage. You are also entitled to have the goods repaired or replaced if the goods fail to be of acceptable quality and the failure does not amount to a major failure.

The details on the length of the warranty on the 12Volt Single Horizontal Bars is on page 8 of this installation guide.

To use the warranty, repair or service the customer must provide purchase invoice/receipt, and completed warranty registration form.

If the product develops a fault within the warranty period due to normal wear and tear, Thermogroup at its discretion will recognise whether it's a faulty product or not. If it is impossible or not economical for the manufacturer to repair the product, the manufacturer will replace the faulty product with a new unit of the same model or if there is no stock available of the same model as the product, the manufacturer will replace the product with a new unit of a similar size. No responsibility can be taken for altered dimensions and lining up of existing holes.

The repair service offered within the warranty period only covers the faults and problems as developed from the manufacturer's errors. Any damage caused by improper use or carelessness or incorrect wiring is not covered.

Thermogroup is not responsible for any monetary loss or injuries caused by improper use of this product.

Warranty Registration

The Thermorail Heated Towel Rail warranty against manufactures defects is a limited liability warranty and will only apply if the product is registered online. Online registration must be completed within 60days of installation. Failure to complete this form will void the warranty.

	THERMORAIL STOCK NO.	ISOLATING SWITCH/TIMER INSTALLED	TIMER STOCK NO.
0	DSR6 (Example)	Timer / Isolating Switch / None	TRTS
1		Timer / Isolating Switch / None	
2		Timer / Isolating Switch / None	
3		Timer / Isolating Switch / None	
4		Timer / Isolating Switch / None	
5		Timer / Isolating Switch / None	
6		Timer / Isolating Switch / None	
7		Timer / Isolating Switch / None	
8		Timer / Isolating Switch / None	
9		Timer / Isolating Switch / None	
10		Timer / Isolating Switch / None	

Fill out and sign below to declare that all the information recorded on this form correlates to the installation

Installer

Name:

Email:

Address:

Postcode:

Phone:

Signature:

Customer

Name:

Email:

Address:

Postcode:

Phone:

Signature:



Thermogroup

sales@thermogroup.com.au

Phone: 1300 368 631

Technical Helpline: 1300 989 464

www.thermogroup.com.au