

NEW FLINDERS SHOWER BASE



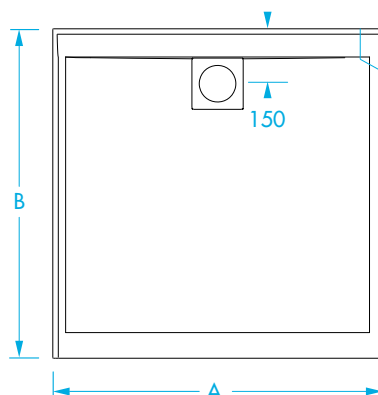
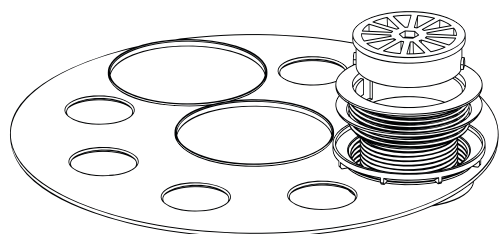
The New Flinders shower base is made from high-strength MarbleLite™ which is a durable, fully moulded polymarble material that is ideal for bathroom applications.

The New Flinders base features a modern low-profile construction with a rear outlet and tile flanges. This base offers great flexibility for installation in two convenient sizes. In addition, the New Flinders shower base features the installation convenience of a patented "top-fix" waste system completed with a stylish, coloured square outlet cover that is easily removed for cleaning.

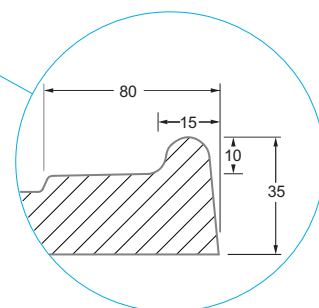


MATERIAL	MarbleLite™
CONSTRUCTION	Self supporting on mortar bed or tile adhesive base
STEP HEIGHT	Low profile 25±2mm (10mm tile flange)
TILE FLANGE	15 x 10mm tile flange
ALCOVE FITTING	Yes
COLOUR	White
WASTE	Top-fix waste - 50mm male outlet thread
SHOWER SCREEN	Compatible with Flinders or Kimberly shower screens
WARRANTY	20 Year manufacturing warranty

Innovative 'top-fix' technology
with self supporting disc



Tile lip profile



Model	Size	A	B	Tile Lip
MSBF26CW.KW	900 x 900	900	900	3
MSBF26LCW.KW	900 x 900	900	900	2RH
MSBF26RCW.KW	900 x 900	900	900	2LH
MSBF34CW.KW	1220 x 900	1220	900	3
MSBF34LCW.KW	1220 x 900	1220	900	2RH
MSBF34RCW.KW	1220 x 900	1220	900	2LH



GUNMETAL
FGG



WHITE
FGW



MATTE BLACK
FGMB



STAINLESS STEEL
FGSS

DISCLAIMER

Bathroom Products Australia P/L ABN 87 079 297 617 the manufacturer/distributor reserves the right to vary specifications or delete models from their range without prior notification. Dimensions and set-outs listed are correct at the time of publication. All sizes are in millimetres and are nominal. For warranty details refer to www.marbletrend.com.au T:1300 717 717 | F: 1300 746 480

