

# marbletrend flinders

## POLYMARBLE SHOWER BASE SQUARE/RECTANGULAR

CODE: SBxxCW

### FEATURES

- High strength Polymarble construction
- 2 and 3 sided models available
- 17mm tile flange
- 73mm step height
- Durable white finish
- Integrated waste - 50mm male thread
- Compatible with Flinders shower screens

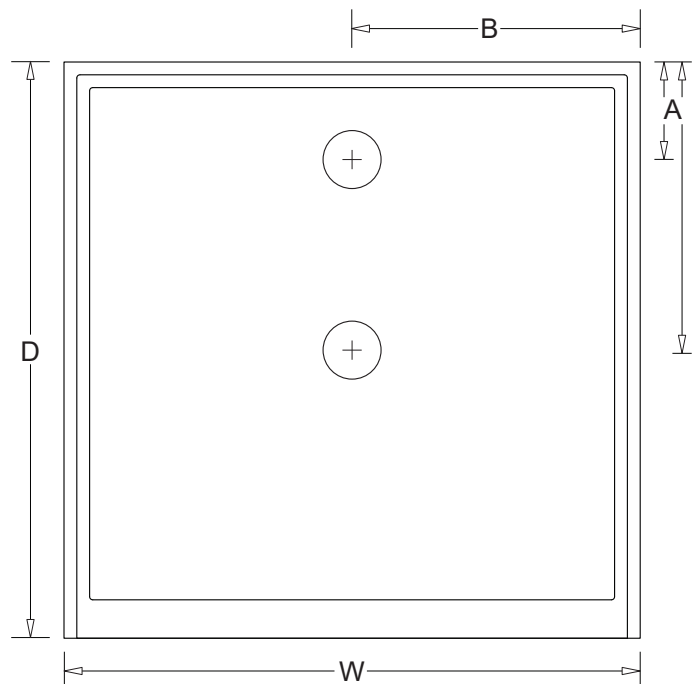
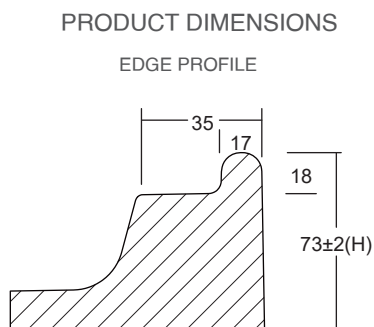
### MODELS

See product matrix table

### WARRANTY

20 years replacement

-refer to T&Cs at [www.johnsonsuiss.com.au](http://www.johnsonsuiss.com.au)



Refer to attached table matrix for dimension, arrangement and waste detail  
NOTE: W = Width This is the entrance opening dimension

## TECHNICAL DATA SHEET

SUPERSEDES ALL PREVIOUS ISSUES

All dimensions are in millimetres and are subject to normal manufacturing variation.  
As product development is ongoing BPA reserves the right to vary specifications without notice.  
Bathroom Products Australia Pty Ltd ABN 87 079 297 617

## FLINDERS POLYMARBLE PRODUCT MATRIX

SHAPE	CODE	STOCK	OUTLET	BASE SIZE W x D x H	A	B
SQUARE BASE	SB17CW	STD	CENTRE	820 x 820 x 73	410	410
	SB15CW			820 x 820 x 73 DBL	150	410
	SB28CW			900 x 900 x 73	450	450
	SB19CW			900 x 900 x 73 DBL	450	450
	SB48CW			1000 x 1000 x 73 DBL	500	500
	SB16CW		820 x 820 x 73	150	410	
	SB1LCW		820 x 820 x 73 LHR	150	410	
	SB1RCW		820 x 820 x 73 RHR	150	410	
	SB26CW		900 x 900 x 73	150	450	
	SB2LCW		900 x 900 x 73 LHR	150	450	
	SB2RCW		900 x 900 x 73 RHR	150	450	
	SB40CW		1000 x 1000 x 73	150	500	
	SB4LCW		1000 x 1000 x 73 LHR	150	500	
	SB4RCW		1000 x 1000 x 73 RHR	150	500	
	SB10CW	MTO	REAR	760 x 760 x 73	150	380
	SB25CW		FRONT	900 x 900 x 73	750	450
RECTANGULAR BASE	SB41CW	STD	CENTRE	1220 x 900 x 73	450	610
	SB6LCW			1220 x 900 x 73 LHR	450	610
	SB6RCW			1220 x 900 x 73 RHR	450	610
	SB32CW		REAR	1220 x 820 x 73	150	610
	SB34CW			1220 x 900 x 73	150	610
	SB3LCW			1220 x 900 x 73 LHR	150	610
	SB3RCW			1220 x 900 x 73 RHR	150	610
	SB33CW			900 x 1220 x 73	150	450
	SB5LCW			900 x 1220 x 73 LHR	150	450
	SB5RCW			900 x 1220 x 73 RHR	150	450
	SB37CW			1500 x 900 x 73	150	750
	SB43CW			MTO	CENTRE	900 x 1060 x 73
	SB44CW	900 x 820 x 73	410			450
	SB46CW	820 x 1060 x 73	530			410
	SB47CW	1220 x 780 x 73	390			610
	SB50CW	1500 x 820 x 73	410			750
	SB51CW	820 x 900 x 73	450			410
	SB52CW	1220 x 820 x 73	410			610
	SB53CW	1060 x 900 x 73	450			530
	SB12CW	REAR	760 x 820 x 73		150	380
	SB14CW		820 x 760 x 73		150	410
	SB18CW		760 x 900 x 73		150	380
	SB20CW		900 x 760 x 73		150	450
	SB22CW		900 x 820 x 73		150	450
	SB24CW		820 x 900 x 73		150	410
	SB27CW		990 x 760 x 73		150	495
	SB30CW		1060 x 820 x 73		150	530
	SB31CW	1060 x 900 x 73	150	530		
	SB42CW	1220 x 1000 x 73	150	610		
	SB36CW	1370 x 900 x 73	150	685		
	SB80CW	1800 x 900 x 73	150	900		

MTO - Made to order

LHR - Left hand return RHR - Right hand return  
DBL - Double entry

# marbletrend flinders neo

POLYMARBLE SHOWER BASE  
CORNER FITTING

CODE: SBxxCW

## FEATURES

- High strength Polymarble construction
- 2 sided corner fitting models
- 17mm tile flange
- 73mm step height
- Durable white finish
- Integrated waste - 50mm male thread
- 914 x 914 models are compatible with the Marbletrend Flinders Neo shower screen

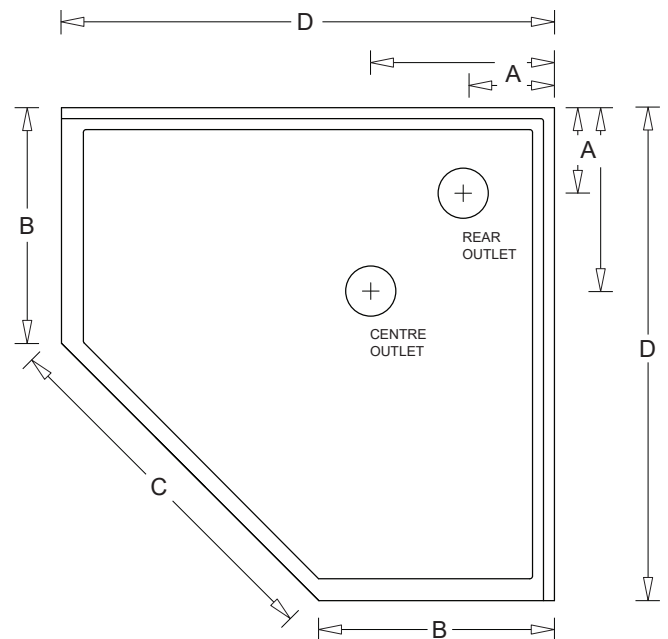
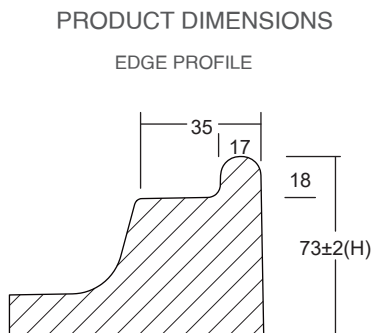
## MODELS

See product matrix table

## WARRANTY

20 years replacement

-refer to T&Cs at [www.johnsonsuiss.com.au](http://www.johnsonsuiss.com.au)



Refer to attached table matrix for dimension, arrangement and waste detail

## FLINDERS NEO POLYMARBLE - STRAIGHT FRONT CORNER BASE

PRODUCT	CODE	STOCK	OUTLET	ACTUAL SIZE W x D x H	A	B	C
STRAIGHT FRONT CORNER BASE	SB69CW	STD	CENTRE	914 x 914 x 73	335	430	680
	SB79CW			1000 x 1000 x 73	355	430	800
	SB39CW		REAR	914 x 914 x 73	150	430	680
	SB29CW			1000 x 1000 x 73	150	430	800
	SB59CW	MTO	REAR	1200 x 1200 x 73	150	540	930

MTO - Made to order

# marbletrend flinders curved

POLYMARBLE SHOWER BASE  
CORNER FITTING - CURVED

CODE: SBxxCW

## FEATURES

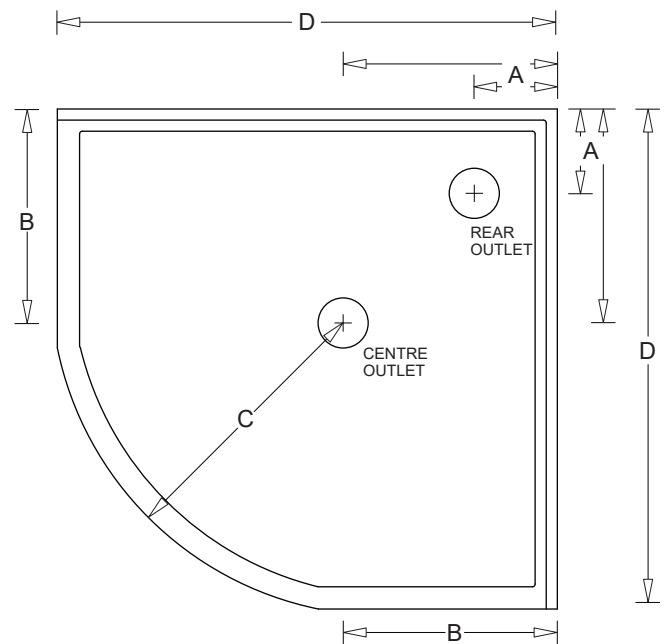
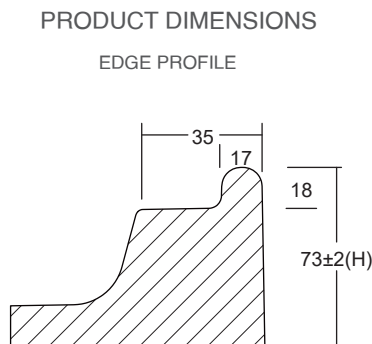
- High strength Polymarble construction
- 2 sided corner fitting models
- 17mm tile flange
- 73mm step height
- Durable white finish
- Integrated waste - 50mm male thread
- Compatible with Flinders Curved shower screens

## MODELS

See product matrix table

## WARRANTY

20 years replacement  
-refer to T&Cs at [www.johnsonsuiss.com.au](http://www.johnsonsuiss.com.au)



Refer to attached table matrix for dimension, arrangement and waste detail

## FLINDERS POLYMARBLE - CURVED FRONT CORNER BASE

SHAPE	CODE	OUTLET	ACTUAL SIZE W x D x H	A	B	C
CURVED FRONT CORNER BASE	SB88CW	CENTRE	914 x 914 x 73	445	421	320
	SB98CW		1000 x 1000 x 73	495	480	410
	SB89CW	REAR	914 x 914 x 73	150	716	320
	SB99CW		1000 x 1000 x 73	150	825	410