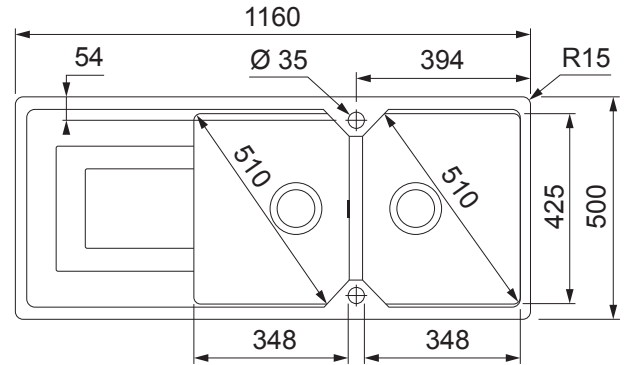
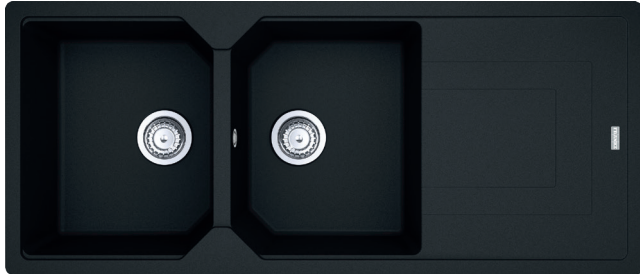


# URBAN GRANITE

UBG221ONYX REV

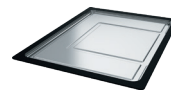


## PRODUCT INFORMATION

<b>Installation</b>	Topmount
<b>Dimensions</b>	1160 x 500mm
<b>Cabinet Base</b>	800mm
<b>Bowl Size</b>	348 x 425 x 206mm / 30L (x2)
<b>Bowl Radius</b>	15mm
<b>Cut-Out Size</b>	1124 x 464mm, cr=15
<b>Cut-Out Template</b>	No
<b>Waste Outlet</b>	Semi Integrated Waste
<b>Overflow</b>	Yes
<b>Tap Holes</b>	ø35mm
<b>Remote Waste</b>	No
<b>Finish</b>	Fragranite
<b>Warranty</b>	50 Years

## ACCESSORIES

— Included Accessory  
- - - Available Accessory



**DT360**  
Extension Drainer

- - - -



**SB950**  
Strainer Bowl

- - - -



**RM44**  
Rollamat

- - - -



**DB664**  
Drainer Basket

- - - -



**CB750**  
Chopping Board

- - - -

**NOTE:** Cut-out dimensions are a guide only, please use the actual sink as your template.

## FEATURES & BENEFITS



Food Preparation Centre



Fragranite



Fast Fix Installation



Franke Overflow



Sanitized® Surface

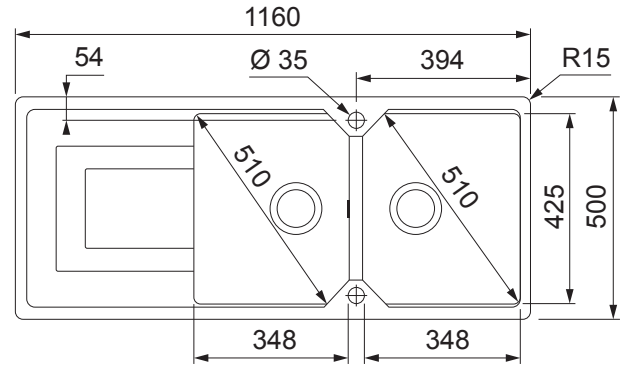
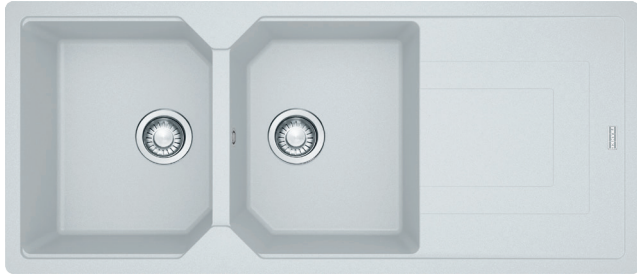
BARE SINK OPTION AND SOME SINK & TAP PACKAGES DO NOT INCLUDE ACCESSORIES. PLEASE CHAT TO YOUR SALES CONSULTANT FOR FURTHER INFORMATION.

LAST UPDATED: 12 JANUARY 2022

**FRANKE**

# URBAN GRANITE

UBG221PW REV

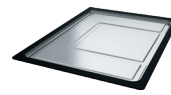


## PRODUCT INFORMATION

<b>Installation</b>	Topmount
<b>Dimensions</b>	1160 x 500mm
<b>Cabinet Base</b>	800mm
<b>Bowl Size</b>	348 x 425 x 206mm / 30L (x2)
<b>Bowl Radius</b>	15mm
<b>Cut-Out Size</b>	1124 x 464mm, cr=15
<b>Cut-Out Template</b>	No
<b>Waste Outlet</b>	Semi Integrated Waste
<b>Overflow</b>	Yes
<b>Tap Holes</b>	ø35mm
<b>Remote Waste</b>	No
<b>Finish</b>	Fragranite
<b>Warranty</b>	50 Years

## ACCESSORIES

— Included Accessory  
- - - Available Accessory



**DT360**  
Extension Drainer

- - - -



**SB950**  
Strainer Bowl

- - - -



**RM44**  
Rollamat

- - - -



**DB664**  
Drainer Basket

- - - -



**CB750**  
Chopping Board

- - - -

**NOTE:** Cut-out dimensions are a guide only, please use the actual sink as your template.

## FEATURES & BENEFITS



Food Preparation Centre



Fragranite



Fast Fix Installation



Franke Overflow



Sanitized® Surface

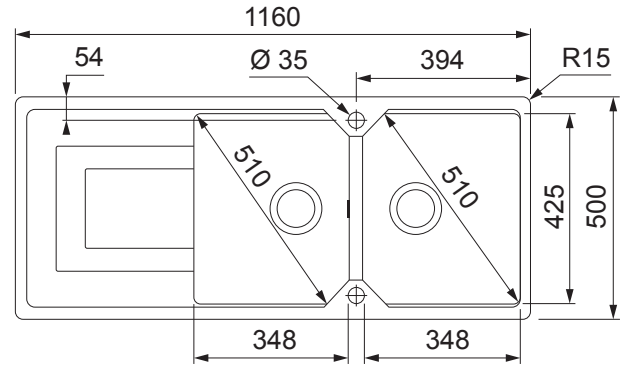
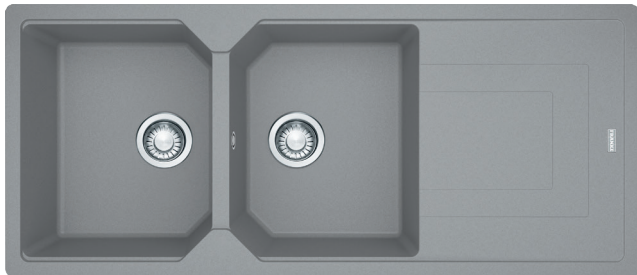
BARE SINK OPTION AND SOME SINK & TAP PACKAGES DO NOT INCLUDE ACCESSORIES. PLEASE CHAT TO YOUR SALES CONSULTANT FOR FURTHER INFORMATION.

LAST UPDATED: 12 JANUARY 2022

**FRANKE**

# URBAN GRANITE

UBG221SG REV



## PRODUCT INFORMATION

<b>Installation</b>	Topmount
<b>Dimensions</b>	1160 x 500mm
<b>Cabinet Base</b>	800mm
<b>Bowl Size</b>	348 x 425 x 206mm / 30L (x2)
<b>Bowl Radius</b>	15mm
<b>Cut-Out Size</b>	1124 x 464mm, cr=15
<b>Cut-Out Template</b>	No
<b>Waste Outlet</b>	Semi Integrated Waste
<b>Overflow</b>	Yes
<b>Tap Holes</b>	ø35mm
<b>Remote Waste</b>	No
<b>Finish</b>	Fragranite
<b>Warranty</b>	50 Years

## ACCESSORIES

— Included Accessory  
- - - Available Accessory



**DT360**  
Extension Drainer

- - - -



**SB950**  
Strainer Bowl

- - - -



**RM44**  
Rollamat

- - - -



**DB664**  
Drainer Basket

- - - -



**CB750**  
Chopping Board

- - - -

**NOTE:** Cut-out dimensions are a guide only, please use the actual sink as your template.

## FEATURES & BENEFITS



Food Preparation Centre



Fragranite



Fast Fix Installation



Franke Overflow



Sanitized® Surface

BARE SINK OPTION AND SOME SINK & TAP PACKAGES DO NOT INCLUDE ACCESSORIES. PLEASE CHAT TO YOUR SALES CONSULTANT FOR FURTHER INFORMATION.

LAST UPDATED: 3 FEBRUARY 2022

**FRANKE**