

## ARCH 500D

AR50D



### Dimension (mm):

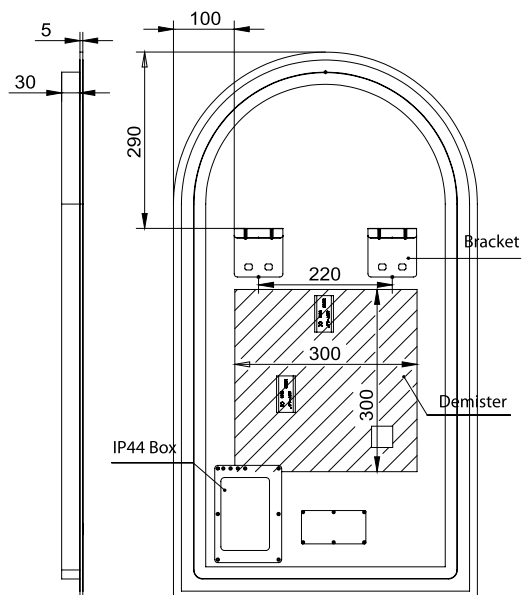
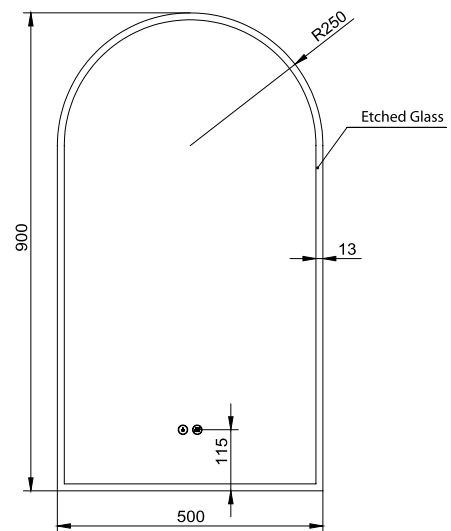
Width	500
Height	900
Depth	35

### Features

LED Lighting

Adjustable Colour Temperature

Demister with 1 Hour Cut-off



Please note: Must be installed by a licensed electrician in accordance with local regulations.

**WARRANTY**

**5 years**

\*Conditions apply

To clean this mirror, wipe it with a soft microfiber cloth or a lint free cloth that has been rinsed in warm water and wrung out well, then rub the mirror gently with a soft dry cloth.

**PLEASE do not use glass or window cleaner, or other cleaners with chemical agents. These may damage the silver coating and brown marks can result.**

Please confirm all particulars with your sales consultant or refer to our website for more information prior to purchase.

## ARCH 500D with Aluminium Frames

### Dimension (mm):

Width	500
Height	900
Depth	35

### Features

- LED Lighting
- Adjustable Colour Temperature
- Demister with 1 Hour Cut-off

### Aluminium Coloured Frames

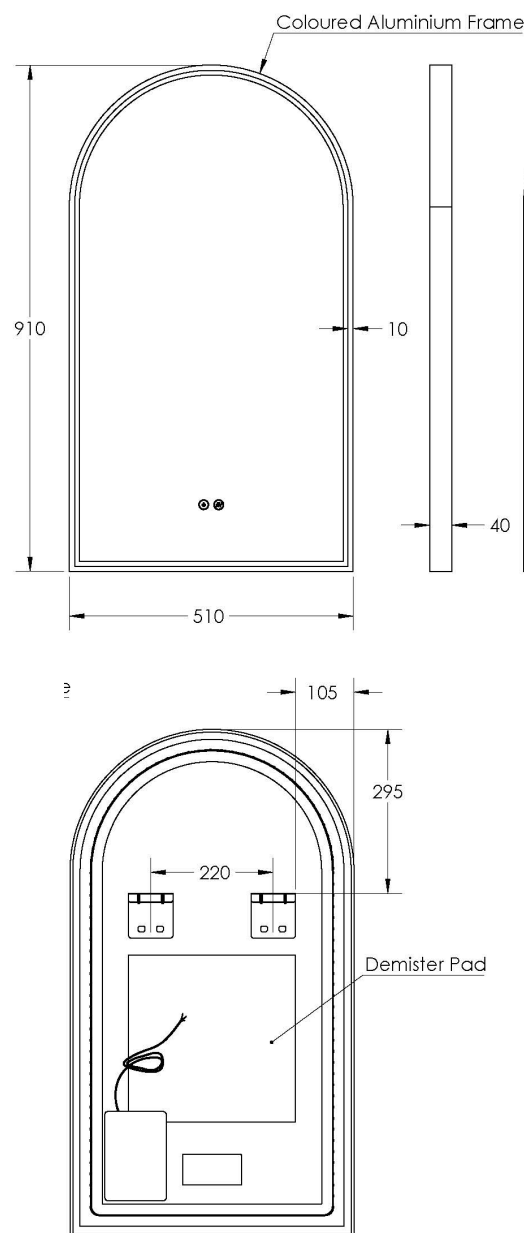
Matt Black	AR50D-MB	●
Gun Metal	AR50D-GM	●
Brushed Nickel	AR50D-BN	●
Rose Gold	AR50D-RG	●
Brushed Brass	AR50D-BB	●

Please note: Must be installed by a licensed electrician in accordance with local regulations.

### WARRANTY

5 years

\*Conditions apply



To clean this mirror, wipe it with a soft microfiber cloth or a lint free cloth that has been rinsed in warm water and wrung out well, then rub the mirror gently with a soft dry cloth.

**PLEASE do not use glass or window cleaner, or other cleaners with chemical agents. These may damage the silver coating and brown marks can result.**

Please confirm all particulars with your sales consultant or refer to our website for more information prior to purchase.