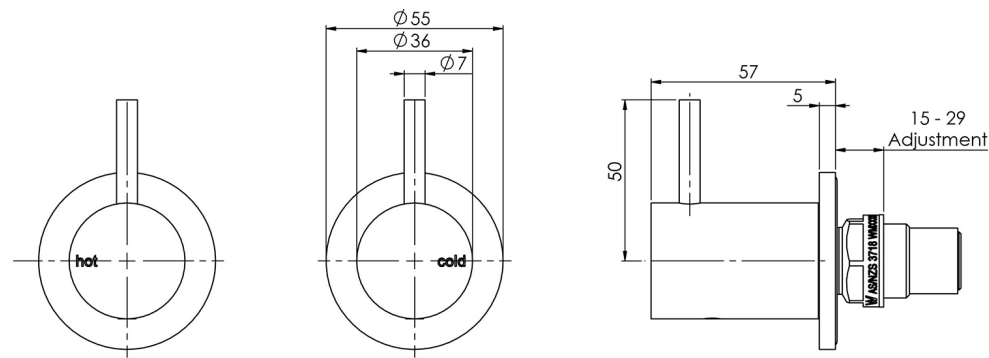


VIVID SLIMLINE

VIVID SLIMLINE WALL TOP ASSEMBLIES 15MM EXTENDED SPINDLES

SPECIFICATIONS



AVAILABLE IN



VS067 CHR
Chrome



VS067 BN
Brushed Nickel



VS067-31
Brushed Carbon



VS067 GM
Gun Metal



VS067 MB
Matte Black



VS067-12
Brushed Gold

INFORMATION

Temperature Rating
1 - 75°C

Pressure Rating
150 - 500kPa



MAINTENANCE AND CARE:

- All surfaces should be cleaned with mild liquid detergent or soap and water.
- Do not use cream cleaners or citrus based cleaning products, as they are abrasive.
- Use of unsuitable cleaning agents may damage the surface.
- Any damage caused in this way will not be covered by warranty.

Please visit <https://www.phoenixtapware.com.au/warranty> to view the full warranty