





Opal Progressive Shower Mixer

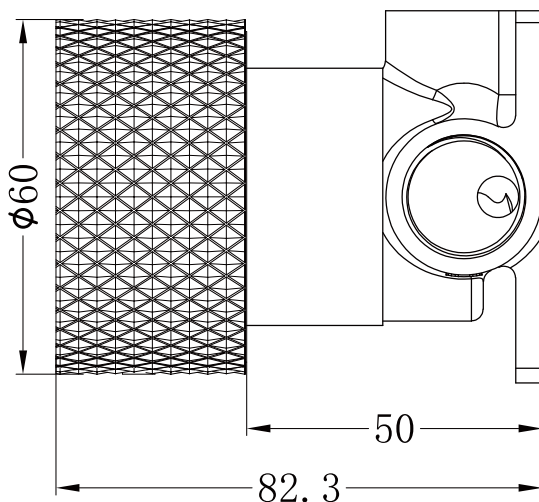


SPECIFICATION

PRODUCT CODE	YSW2520-09
WELS RATING	N/A
WATERMARK LICENSE	WM-060073
TEMPERATURE RATING	MIN 1°C-MAX 75°C
PRESSURE RATING	MIN 150KPa-MAX 500KPa

FINISH

	BRUSHED NICKEL NR252009BN		GUN METAL NR252009GM
	BRUSHED GOLD NR252009BG		BRUSHED BRONZE NR252009BZ



Dimensions are nominal measurements only.

MAINTENANCE AND CARE

All surfaces should be cleaned with mild liquid detergent or soap and water.

Do not use cream cleaners or citrus based cleaning products, as they are abrasive.

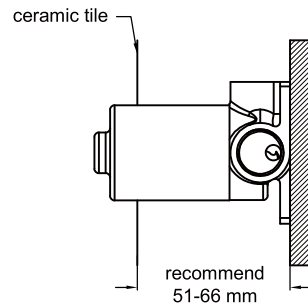
Use of unsuitable cleaning agents may damage the surface. Any damage caused in this way will not be covered by warranty.

PACKING INCLUDES

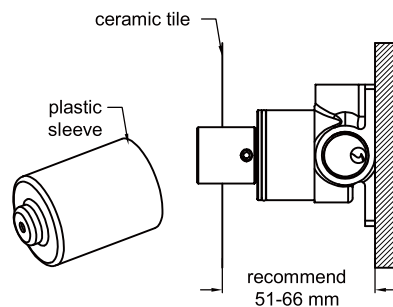
- 1x hand wheel
- 1x body
- 1x install kits



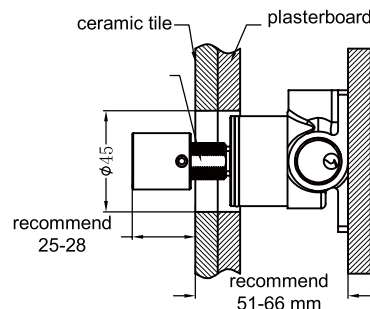
Installation Instruction



1. Fix body on noggin and ensure installation depth is 51-66mm from noggin to ceramic tile.

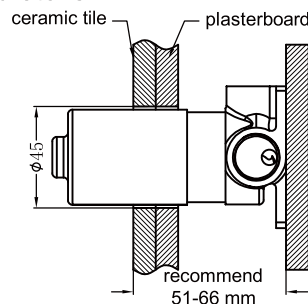


2. Connect cold water hose and hot water hose take off plastic sleeve and conduct water pressure test for leak.



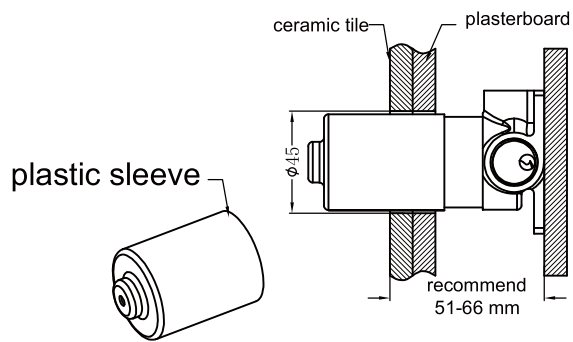
3. Adjust connecting rod and ensure depth is 25-28mm from the front of adaptor to ceramic tile.

Then install plasterboard and ceramic tile after drilling a $\phi 50$ and a $\phi 40$ hole according to above picture.

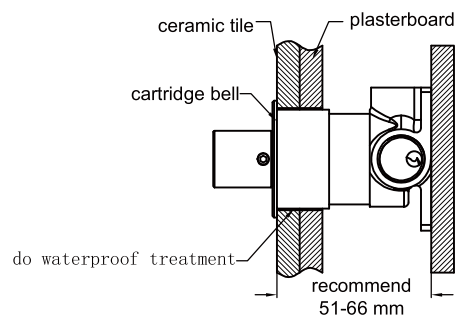


4. Install plastic sleeve back to the body.

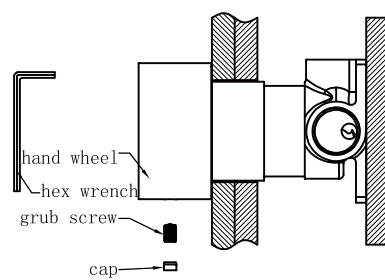
Installation Instruction



5. Remove plastic sleeve.



6. Put cartridge bell onto body and do waterproof treatment.



7. Make hand wheel cover on connecting rod, tighten grub screw of hand wheel by hex wrench, put cap into hand wheel.