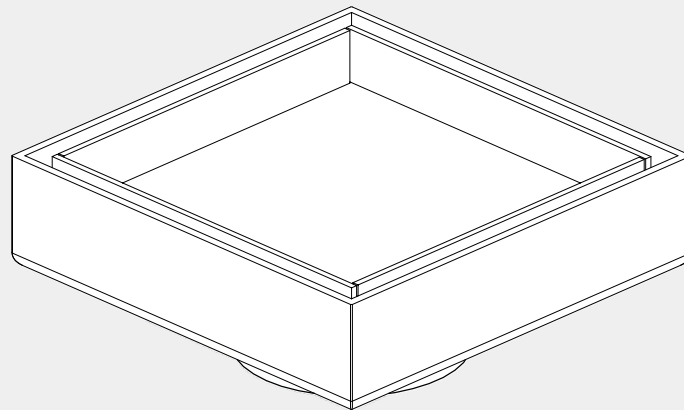


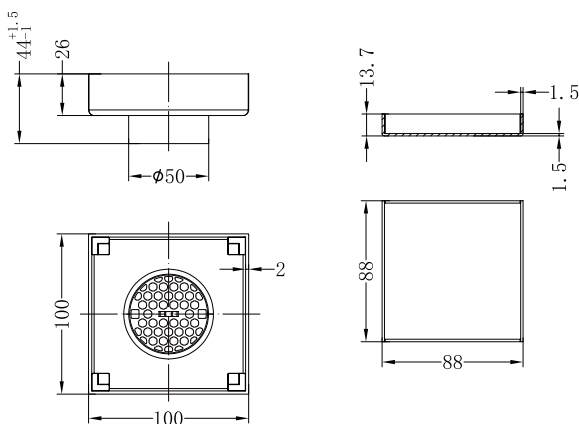
100mm Square Tile Insert Floor Waste 50mm Outlet

Nero



Versions:202311

Drawing








Specifications

SKU
NRFW006
Watermark License
WM-032203

Packaging Includes

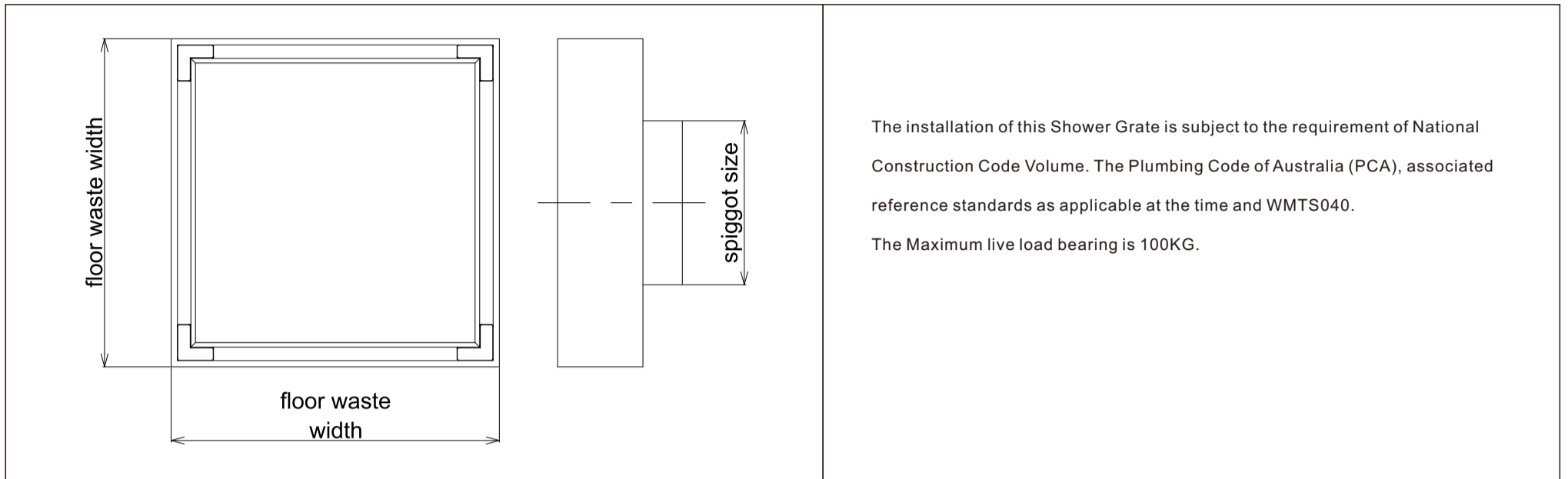
1 x floor waste

Finish

- | | | |
|--|--|--|
|  Brushed Nickel
NRFW006BN |  Gun Metal
NRFW006GM |  Brushed Bronze
NRFW006BZ |
|  Matte Black
NRFW006MB |  Brushed Gold
NRFW006BG | |

*Dimensions are nominal measurements only.

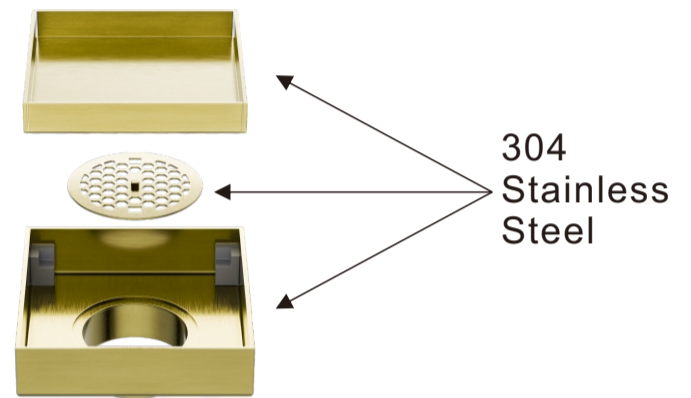
Installation Instruction



The installation of this Shower Grate is subject to the requirement of National Construction Code Volume. The Plumbing Code of Australia (PCA), associated reference standards as applicable at the time and WMTS040.
The Maximum live load bearing is 100KG.

Floor Waste Width	Spigot Size	Nominal OD Floor Waste Pipe
100mm	50mm	50mm PVC

NOTES:



1

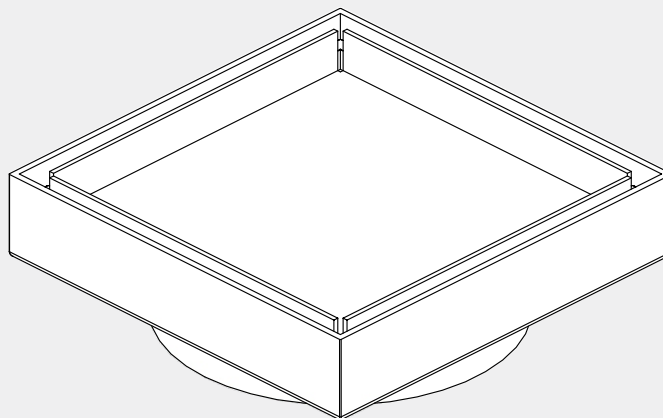
1. Cut grate to suit floor waste allowing at least 3mm of clearance in overall length to facilitate removal for cleaning.

2

2. Install floor waste as above picture. Note: it can be installed 2 ways: tile insert placement and normal placement.

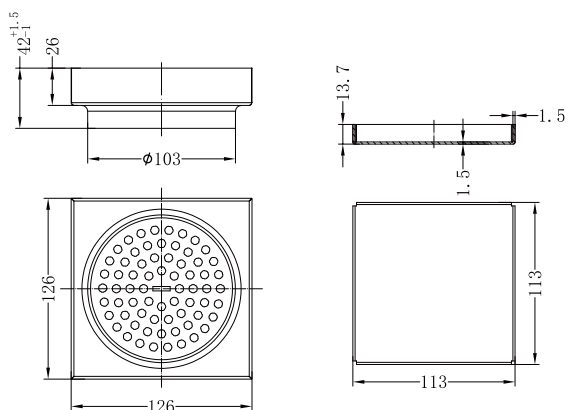
130mm Square Tile Insert Floor Waste 100mm Outlet

Nero



Versions:202311

Drawing








Specifications

SKU
NRFW008
Watermark License
WM-032203

Packaging Includes

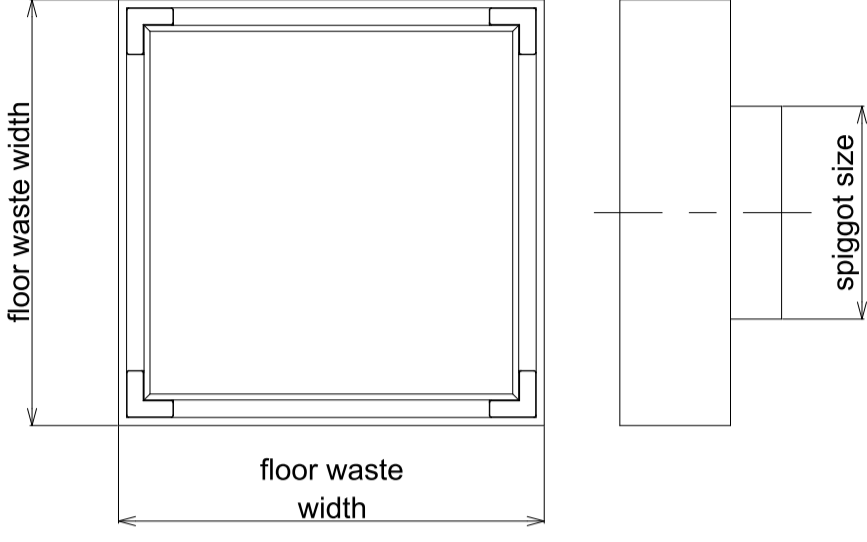
1 x floor waste

Finish

- | | | |
|--|--|--|
|  Brushed Nickel
NRFW008BN |  Gun Metal
NRFW008GM |  Brushed Bronze
NRFW008BZ |
|  Matte Black
NRFW008MB |  Brushed Gold
NRFW008BG | |

*Dimensions are nominal measurements only.

Installation Instruction

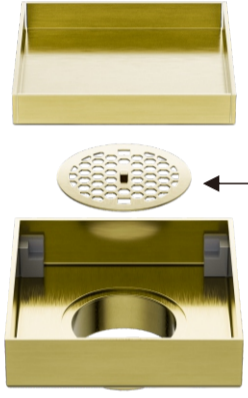


The installation of this Shower Grate is subject to the requirement of National Construction Code Volume. The Plumbing Code of Australia (PCA), associated reference standards as applicable at the time and WMTS040.

The Maximum live load bearing is 100KG.

Floor Waste Width	Spigot Size	Nominal OD Floor Waste Pipe
126mm	103mm	100-120mm PVC

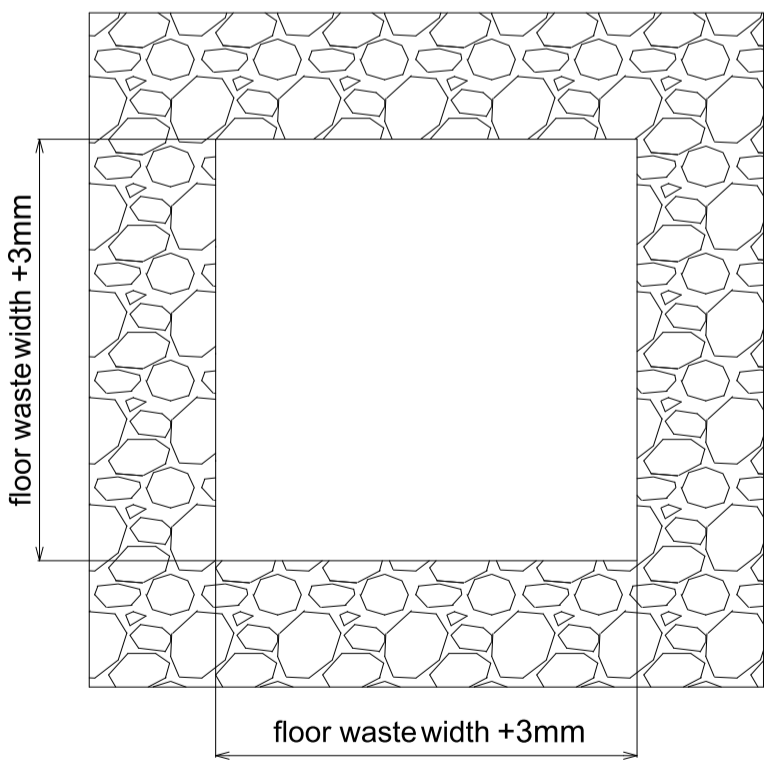
NOTES:



304 Stainless Steel



1

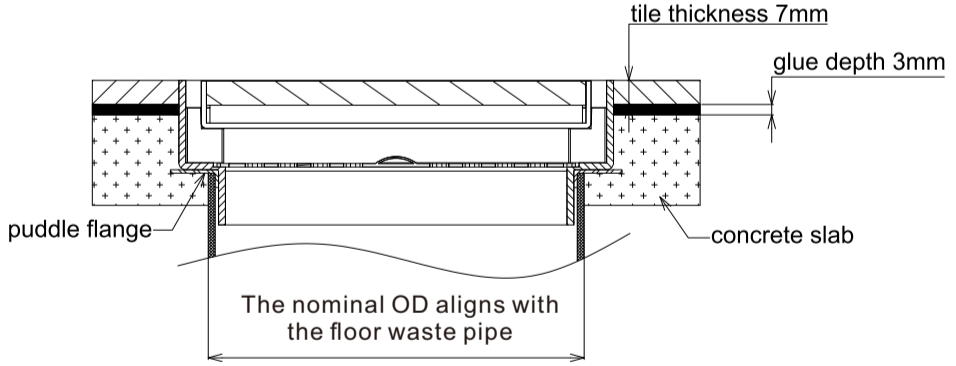


floor waste width +3mm

floor waste width +3mm

1. Cut grate to suit floor waste allowing at least 3mm of clearance in overall length to facilitate removal for cleaning.

2



tile thickness 7mm

glue depth 3mm

puddle flange

concrete slab

The nominal OD aligns with the floor waste pipe

2. Install floor waste as above picture.

Note: it can be installed 2 ways: tile insert placement and normal placement.