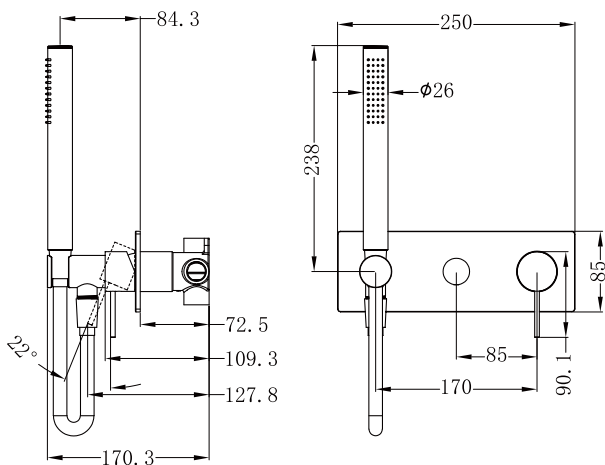


## Mecca Shower Mixer Divertor System



Dimensions are nominal measurements only.



Versions: 2021.11

### SPECIFICATION

PRODUCT CODE	YSW2219-03E
WELS RATING	4 STAR 7.5L/MIN
WATERMARK LICENSE	WM-060073
TEMPERATURE RATING	MIN 1°C-MAX 75°C
PRESSURE RATING	MIN 150KPa-MAX 500KPa

### FINISH

	CHROME NR221903eCH		MATTE BLACK NR221903eMB
	BRUSHED NICKEL NR221903eBN		GUN METAL NR221903eGM
	BRUSHED GOLD NR221903eBG		BRUSHED BRONZE NR221903eBZ
	MATTE WHITE NR221903eMW		

### MAINTENANCE AND CARE

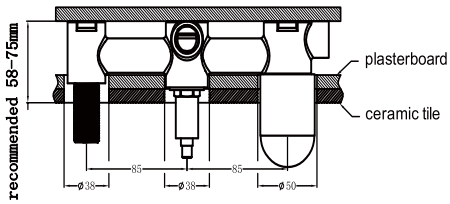
All surfaces should be cleaned with mild liquid detergent or soap and water.

Do not use cream cleaners or citrus based cleaning products, as they are abrasive.

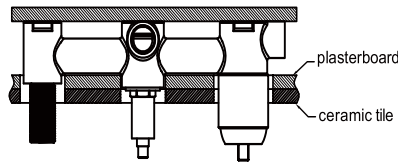
Use of unsuitable cleaning agents may damage the surface. Any damage caused in this way will not be covered by warranty.

### PACKING INCLUDES

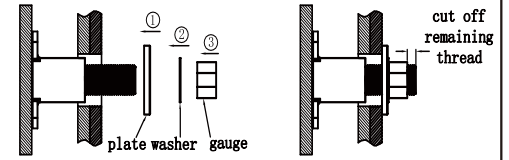
- 1x body
- 1x plate
- 1x handle
- 1x hand wheel
- 1x hand shower
- 1x 1m PVC hose
- 1x install kits



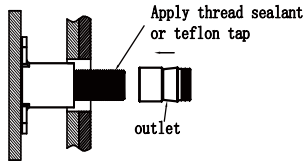
1. Fix body on noggin and ensure install depth is 58-75mm from noggin to ceramic tile.
2. Connect cold water hose and hot water hose and conduct water pressure test for leakage.
3. Install gypsum board and ceramic tile after drilling a  $\phi 50$  and two  $\phi 38$  holes according to above picture.



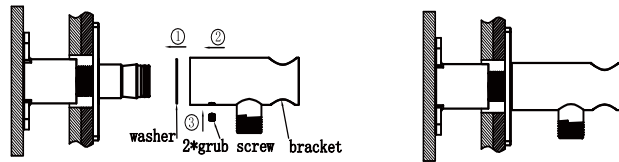
4. Remove the plastic sleeve.



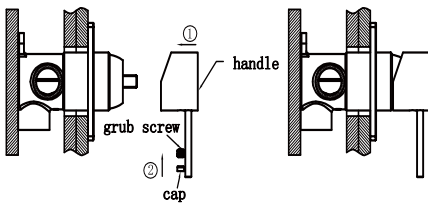
5. Put plate, washer and gauge onto outlet successively as above picture. Cut off remaining thread against to the cut off gauge. Then take off gauge and washer.



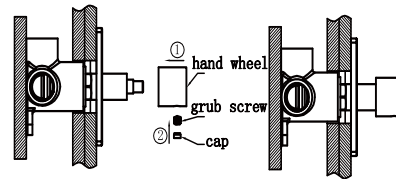
6. Apply thread sealant or teflon tap on outlet thread, tighten outlet onto outlet thread by wrench.



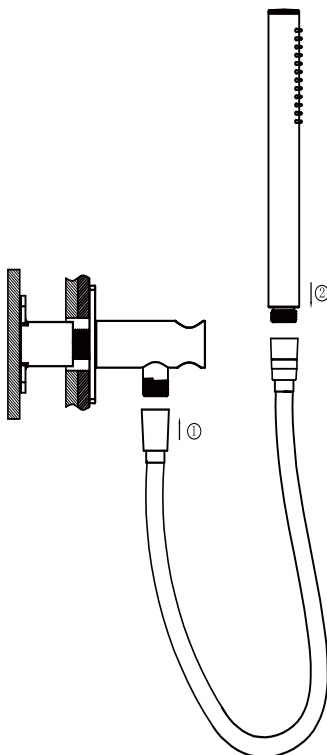
7. Install washer and bracket onto body, tighten grub screw by hex wrench.



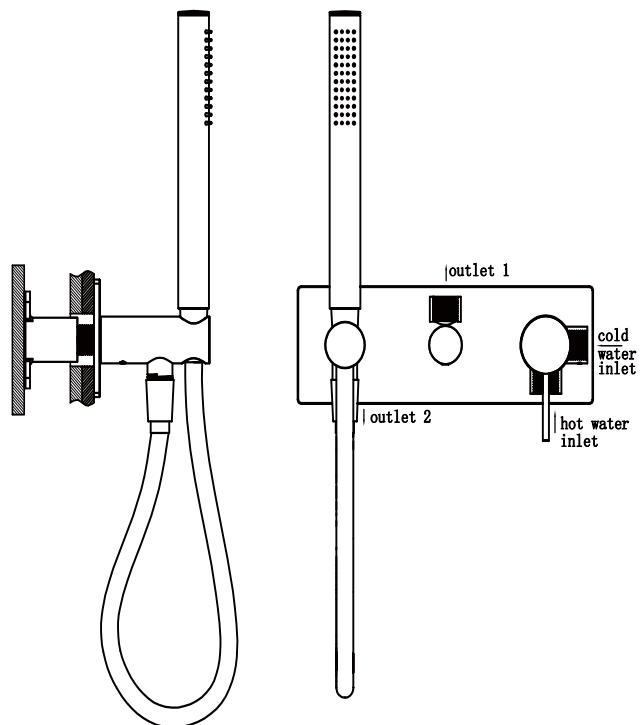
8. Install handle onto body, tighten grub screw by hex wrench, put cap onto grub screw.



9. Install hand wheel onto body, tighten grub screw by hex wrench, put cap onto grub screw.



10. Connect bracket and hand shower with hose.



11. TEST & CHECK FOR LEAKS.