

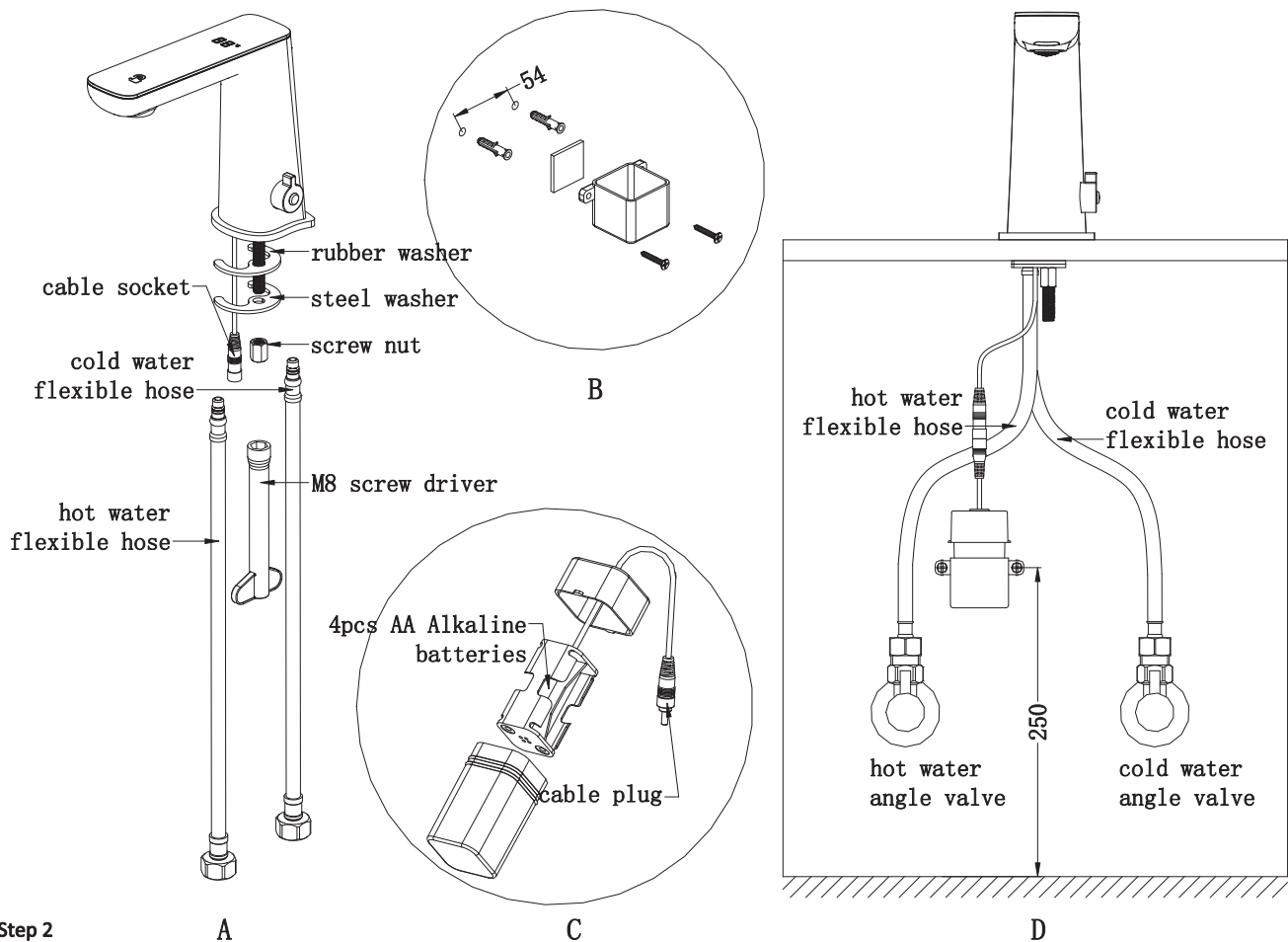
Note:

1. Prior to installing this faucet, please confirm whether the 4 AA alkaline batteries conform to national standard, and fix them into the battery box correctly according to the positive and negative poles.
2. Running water shall be used for this faucet. Do not use unfiltered and untreated sewage, otherwise the solenoid valve may be damaged.
3. The inductor shall not be directly exposed to the sunlight or strong light, to avoid the degradation of machine performance.
4. When the water pressure is lower than 0.05MPa, a pressure boosting device shall be installed to avoid the decline of flushing effect.
5. When the water pressure is higher than 0.7MPa, a pressure reducing device shall be installed to avoid damage to the machine.

Installation:

Step 1

Take out the faucet and install the screw on it. Install a red and a blue braided network pipe on the faucet (the red braided network pipe (hot) shall be installed in front, the blue braided network pipe (cold) in back). Thread the red and the blue braided network pipes as well as the cable plug through the basin. Insert the rubber and the stainless steel gaskets into the screw from the bottom of the basin in proper order. Use the M8 wrench to lock the nut and fix the faucet on the basin.



Step 2

Drill two appropriate size holes with a distance of 54mm on the bottom of the basin. The two holes are recommended to be more than 250mm height.

Knock the colloidal expand particles into the holes and lock the battery box bracket (at the bottom of the battery box) to the wall with the tapping screw (as shown in Figure B)

Step 3

Take out the battery bracket. Then fix batteries correctly and put on the cover. (as shown in Figure C)

Step 4

Connect the round cable plug of the battery box with the round cable plug of the faucet. Insert the battery box into the bracket. Lock the G1 / 2 connector of the red braided network pipe (hot) to the outlet thread of the hot water angle valve, and connect and lock the G1 / 2 connector of the blue braided network pipe (cold) to the outlet thread of the cold water angle valve. (as shown in Figure D)

Notes:

After installation, 0.9MPa/60s clean water pressure test shall be carried out. It can be used only after confirming that all pipelines have no drip and water leakage.

Function

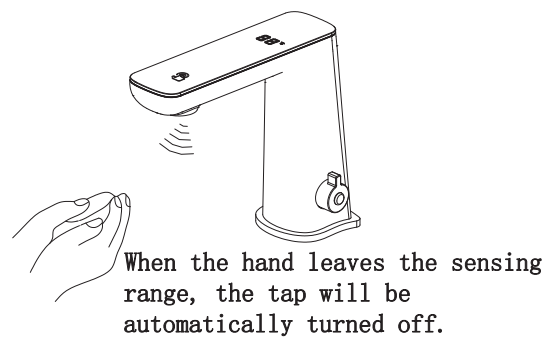
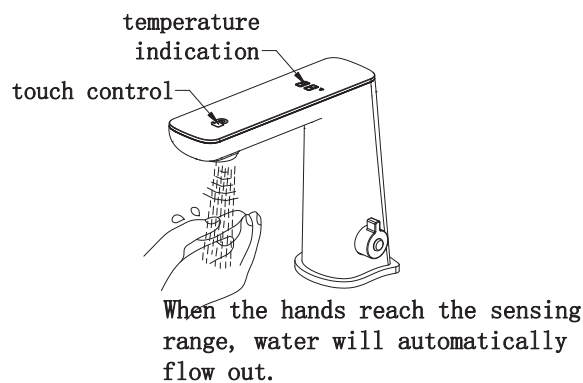
1. Automatic flushing: infrared sensing is automatically turned on and off.
2. Overtime protection: when the washing time is over 60s, the water source will be automatically closed to avoid wasting caused by continuous misleading by eyewinkers.
3. Low power reminder: when the battery power is insufficient to provide normal operation of the machine, it will automatically prompt to replace new batteries.
4. Manual water discharge: turn on or turn off by touch of faucet, the infrared sensing temporarily disable when the faucet is turned on, and recovers when turned off.
5. Temperature display: LED temperature display on the top. Temperature will display when turn on the faucet.
6. Sensing distance adjustment: use a special remote controller to adjust the inductive distance according to the environment. (optional)

power supply	DC6V&AC220V/50Hz	<p>1. It is recommended to use the machine under 0.1~0.5MPa water pressure.</p> <p>2. If the induction time is less than 0.6 seconds, the machine will not work, which avoids water flow due to error induction.</p>
Standby current	<30uA	
maximum power consumption	<600mA	
water pressure	0.05~0.7Mpa	
sensing distance	5~20cm	
inductive time	0.5sec	
max flowing time	60sec	
Environment temperature	1~40° C	
storage temperature	-15~60° C	
medium temperature	0~80° C	
cold water inlet thread standards	G1/2	
hot water inlet thread standards	G1/2	
temperature control	use handle wheel control water mixing	

Features

1. Convenient: the opening and closing of the water source are automatically completed by the machine without manual operation.
2. Cleanness: free hands from touching switches or components to ensure your physical and mental health.
3. Water saving: water flows automatically when your hands are in the inductive area; water stop when moving hands away from the inductive area. It is convenient for water saving.
4. Power saving: use four AA alkaline batteries, which are at the frequency of 3000 times per month. There is no need to replace the batteries for about 1 year.
5. Temperature regulation: lateral hand wheel temperature regulation and top temperature real-time display make the water temperature more visible.

Operationg



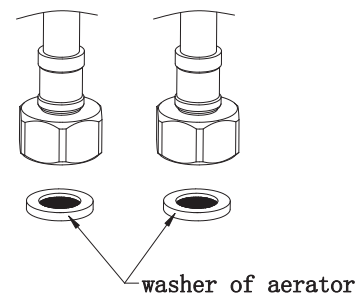
Maintenance

Aerator cleaning

The newly installed products are easily silted in the aerator due to the sand and stone in the pipeline. If the water outlet is reduced, please unscrew the aerator in time for flushing and reinstall it as it is

Notes:

The aerator is installed in the G1 / 2 screw thread of the braided network pipe. The triangular valve must be closed before removing the filter screen.



Battery replacing

3-4 seconds to prompt to replace batteries.

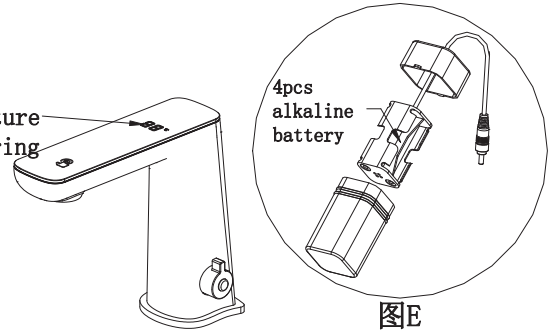
When the battery is exhausted, the sensor will forcibly close the battery valve to prevent water wasting.

Take out the battery bracket. Then fix batteries correctly and put on the cover. (as shown in Figure E)

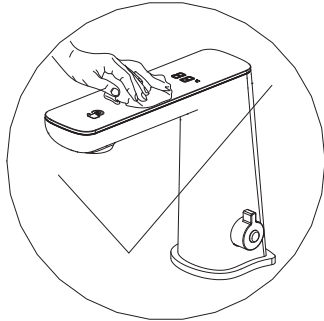
Notes:

Fix the battery correctly. Shall not mix use the new and the old or different brand batteries.

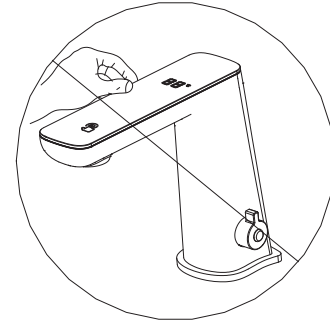
The temperature indicator is flickering



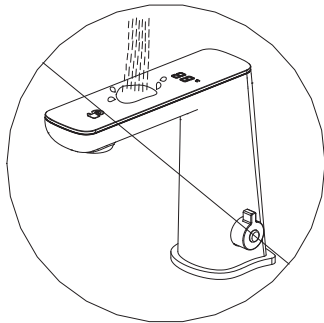
Note :



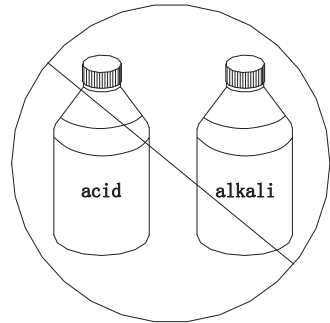
use clean dry soft cloth to clean the sensor tap



Do not shake the tap violently.



Do flush sensor tap by water



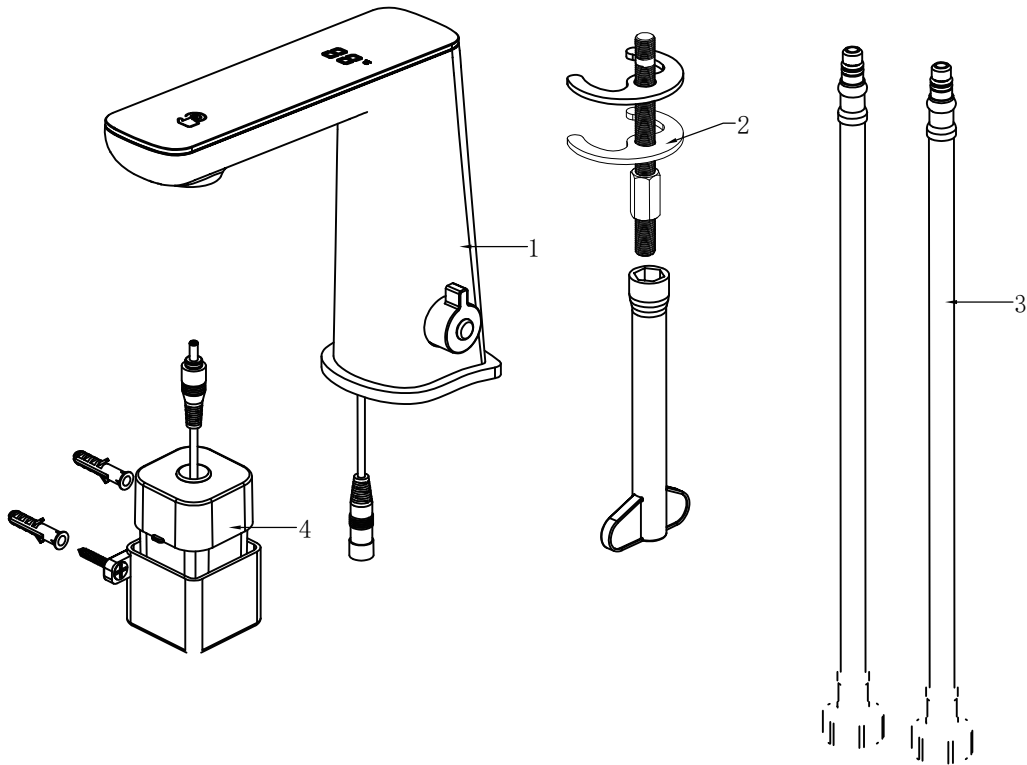
Do not scrub with strong acid-base detergent.

Trouble shooting

If there are abnormal conditions in usage, please solve them refer to the table below. If you have any questions, please make service call.

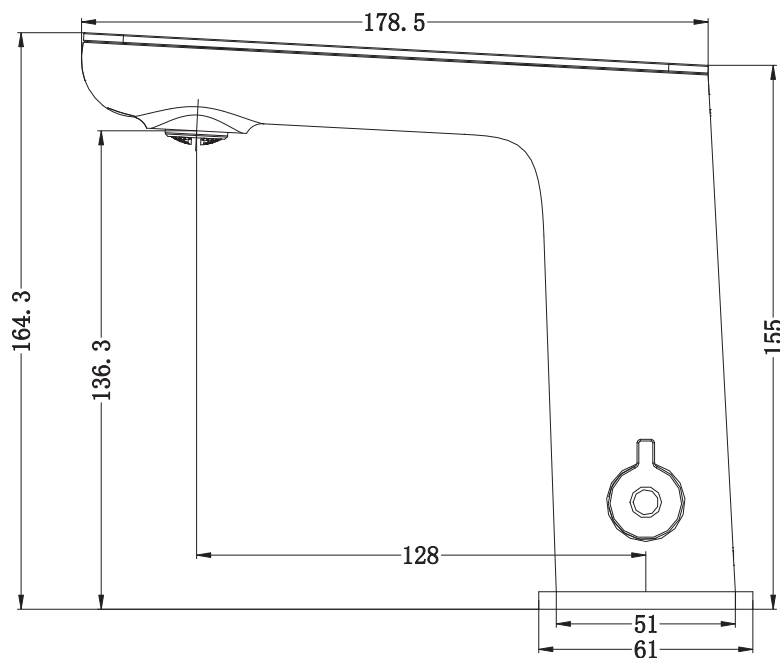
Fault	cause	solutions
no flow	out of power	replace batteries
	dirty sensor window	clean sensor window
	out of water supply	check plumbing system
	aerator is blocked	clean aerator
	unapplicable water pressure	check specification
can't turn off	out of power	replace batteries
	unapplicable water pressure	check specification
leaking	low water pressure	check specification
	dirty aerator	clean aerator
low flow	low water pressure	check specification
	dirty aerator	clean aerator
short battery life	bad quality battery	replace standard batteries
no induction	battery is out of power	replace batteries

Package Contents



Item	Description	Qty
1	mixer tap	1
2	installation kit	1
3	flexible hose	2
4	battery box	1
5	manual	1

Dimension Drawing



Exploded Views

