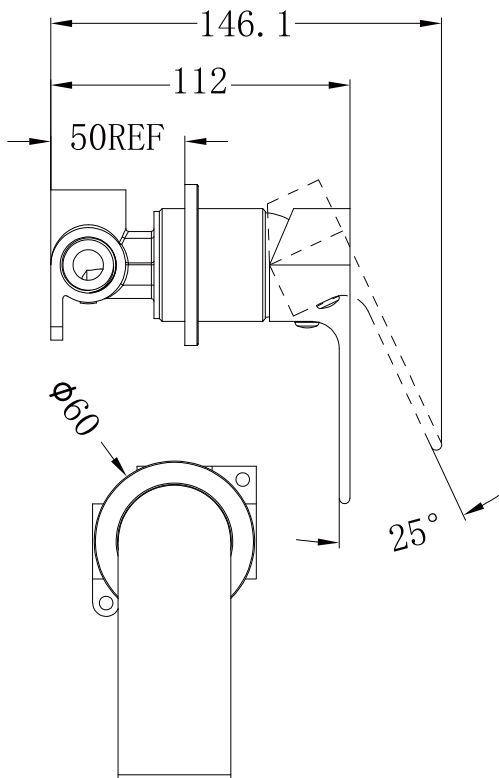
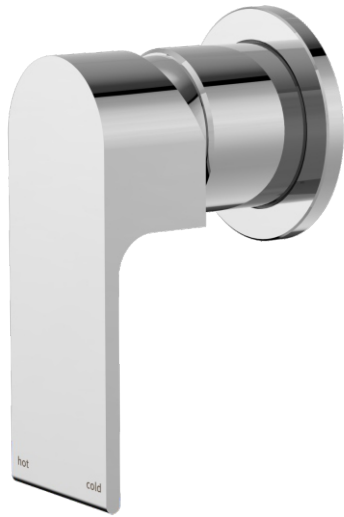


Bianca Shower Mixer With 60mm Plate


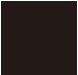





Dimensions are nominal measurements only.

SPECIFICATION

| | |
|--------------------|-----------------------|
| PRODUCT CODE | YSW3215-09H |
| WELS RATING | N/A |
| WATERMARK LICENSE | WM-060073 |
| TEMPERATURE RATING | MIN 1°C-MAX 75°C |
| PRESSURE RATING | MIN 150KPa-MAX 500KPa |

FINISH

| | | | |
|---|-------------------------------|---|----------------------------|
|  | CHROME NR321509hCH |  | MATTE BLACK NR321509hMB |
|  | BRUSHED NICKEL NR321509hBN |  | GUN METAL NR321509hGM |
|  | BRUSHED GOLD NR321509hBG | | |

MAINTENANCE AND CARE

All surfaces should be cleaned with mild liquid detergent or soap and water.

Do not use cream cleaners or citrus based cleaning products, as they are abrasive.

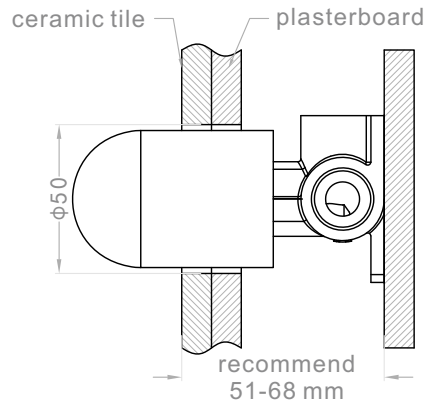
Use of unsuitable cleaning agents may damage the surface. Any damage caused in this way will not be covered by warranty.

PACKING INCLUDES

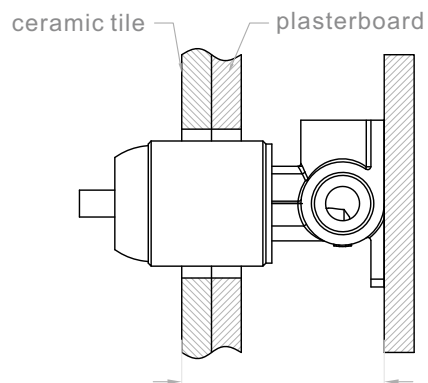
- 1x mixer body
- 1x plate
- 1x handle
- 1x installation kit



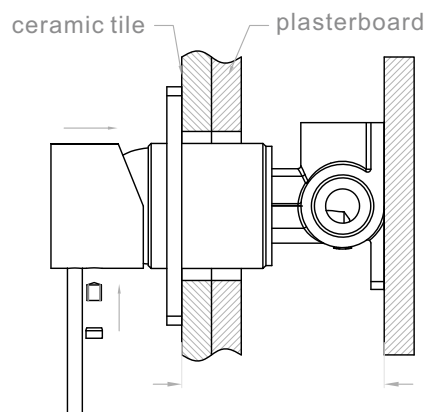
Installation Instruction



1. Fix body on noggin and ensure installation depth is 51-68mm from noggin to ceramic tile.
2. Connect cold water hose and hot water hose and test for leakage.
3. Install plasterboard and ceramic tile after drilling a $\phi 50$ hole according to above picture.



4. Remove the plastic sleeve of body.



5. Install plate and handle.