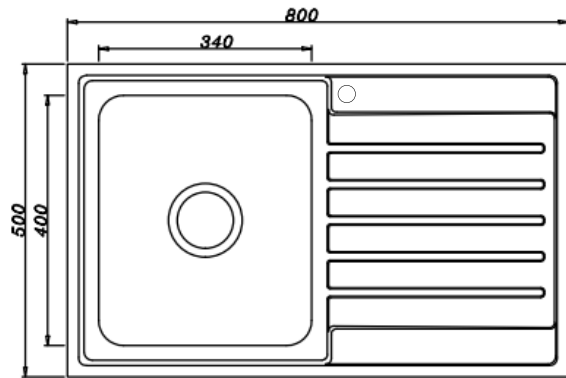


# LINEARE PREMIUM RANGE

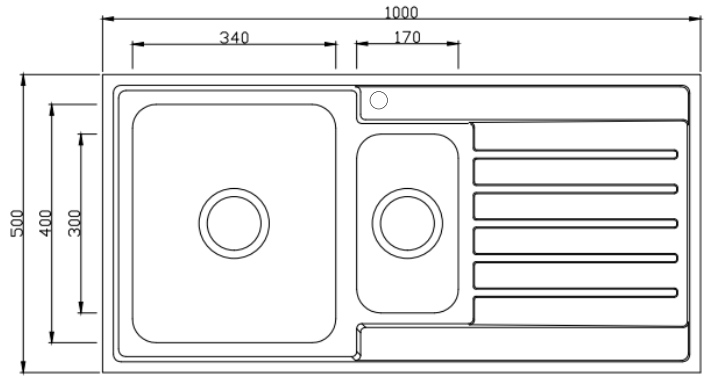
ALL COME WITH  
TAP HOLE



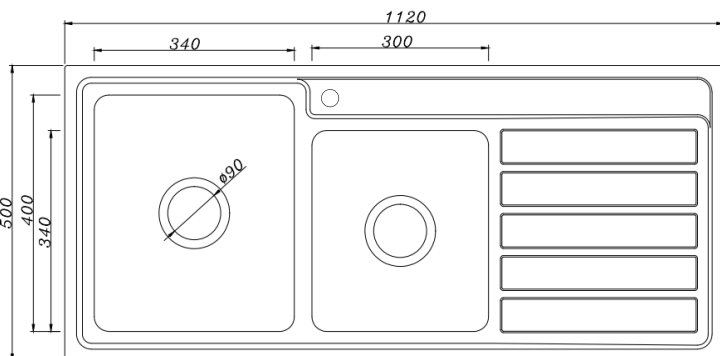
EASY TO  
CLEAN  
CORNERS



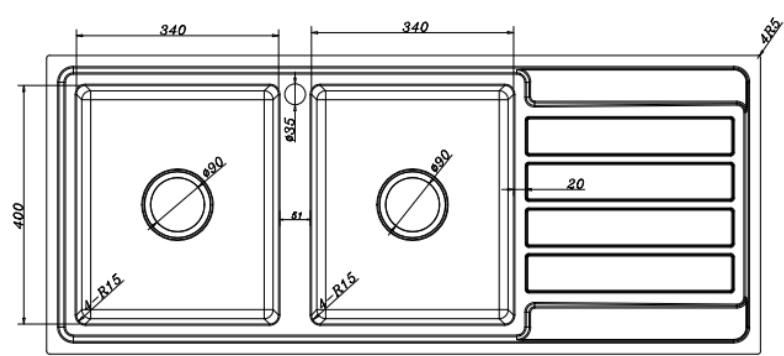
LHB 1629228 RHB 1629229 SINGLE BOWL  
800mmL x 500mmW x 200mm BOWL DEPTH



LHB 1629230 RHB 1629231 1&1/4 BOWL  
1000mmL x 500mmW x 200/150mm BOWL DEPTH



LHB 1629232 RHB 1629233 1&3/4 BOWL  
1120mmL x 500mmW x 200/150mm BOWL DEPTH



LHB 1629234 RHB 1629235 DOUBLE BOWL  
1200mmL x 500mmW x 200mm BOWL DEPTH  
NOTE: TAP HOLE LANDING AREA IS 50MM DUE TO LARGE BOWLS

- UNDERMOUNT OR TOP MOUNT
- SS304 1mm THICKNESS
- EASY TO CLEAN R15 DEGREE BOWL CORNERS
- ALL ONE TAP HOLE
- LEFT OR RIGHT HAND BOWLS
- INDIVIDUAL CARTON PACKAGED



LAZER EDGE (NOT ROLLED),  
SNUG FIT TO BENCHTOP