

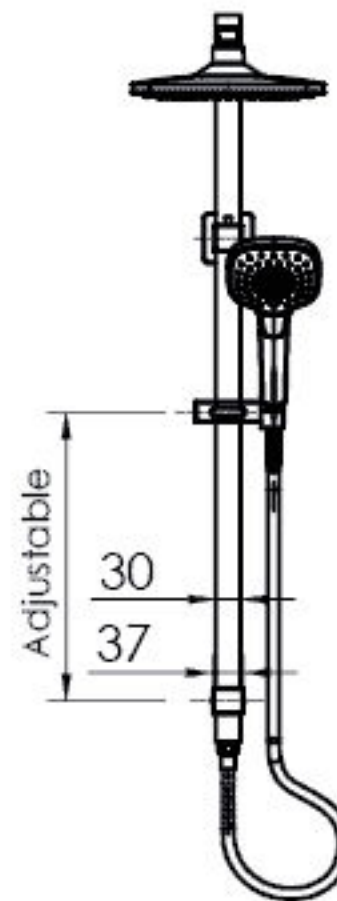
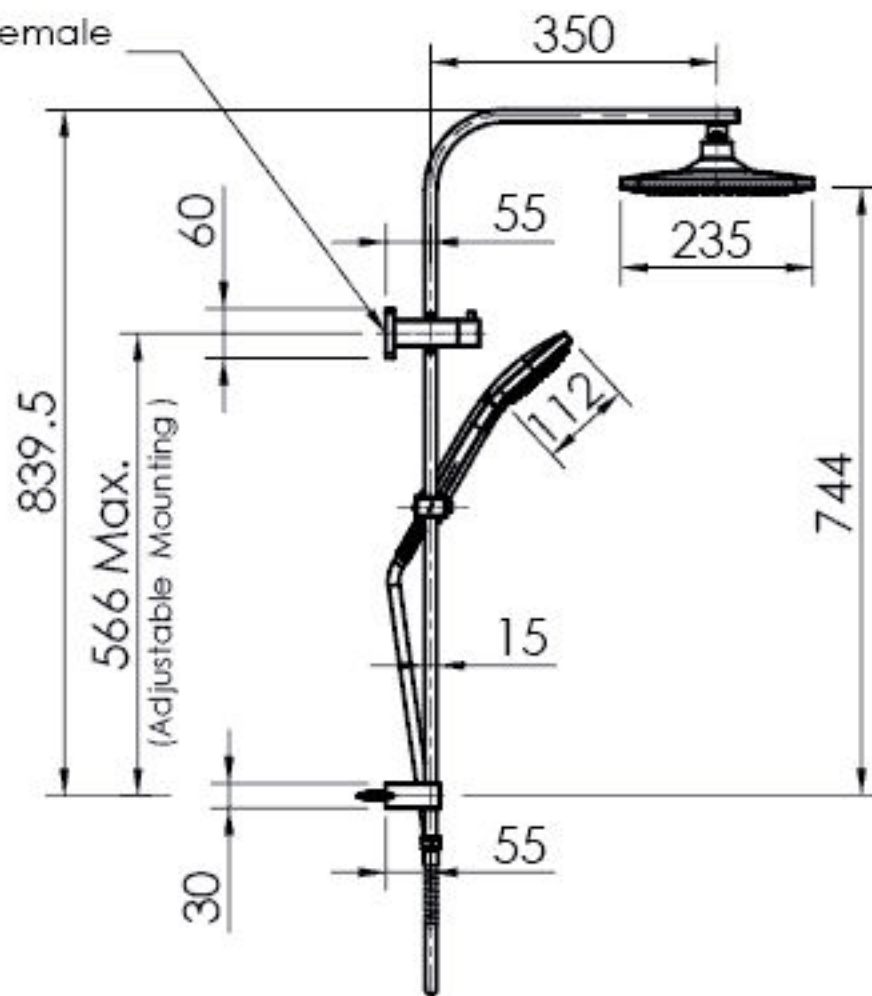
Corban Twin Rail Shower

1930030 | S14025 | Chrome

1930031 | S14025(V) | Brushed Nickel

1930037 | S14025(V) | Matte Black

G1/2" (15mm) Female



NZ: 0800 655 455 | nzsales@greenstapware.com

AU: 1800 244 487 | aussales@greenstapware.com



GREENS

where life meets water