

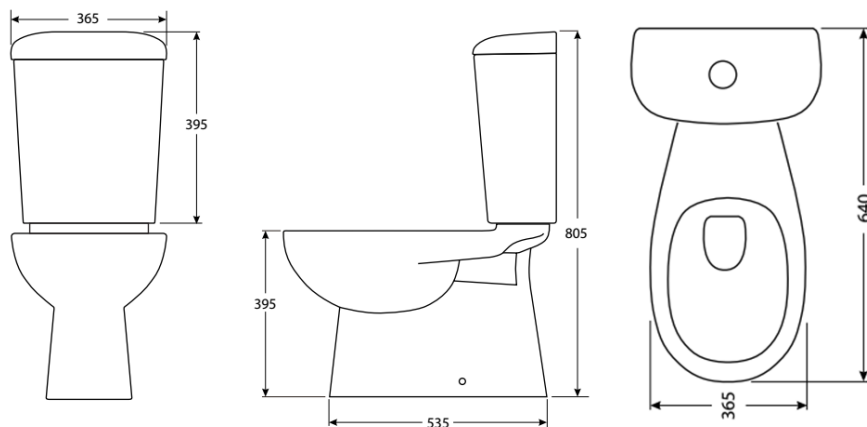
# HOBSON



1631954  
BLACK BUTTON  
OPTIONAL



1645120  
WHITE BUTTON  
OPTIONAL



- CODE 1630107 S TRAP
- CODE 1630108 P TRAP
- CLOSE COUPLED SUITE
- BOTTOM INLET
- S TRAP SETOUT 140MM
- P TRAP 180MM
- CONCEALED TRAP

- DURABLE SLIM SOFT CLOSE SEAT
- 4.5/3L 4 STAR
- WHITE

- NANO COATING IN PAN FOR EASY CLEAN & ANTI BACTERIAL BENEFITS
- RIMLESS PAN DESIGN FOR A CLEANER FLUSH & EASY TO CLEAN