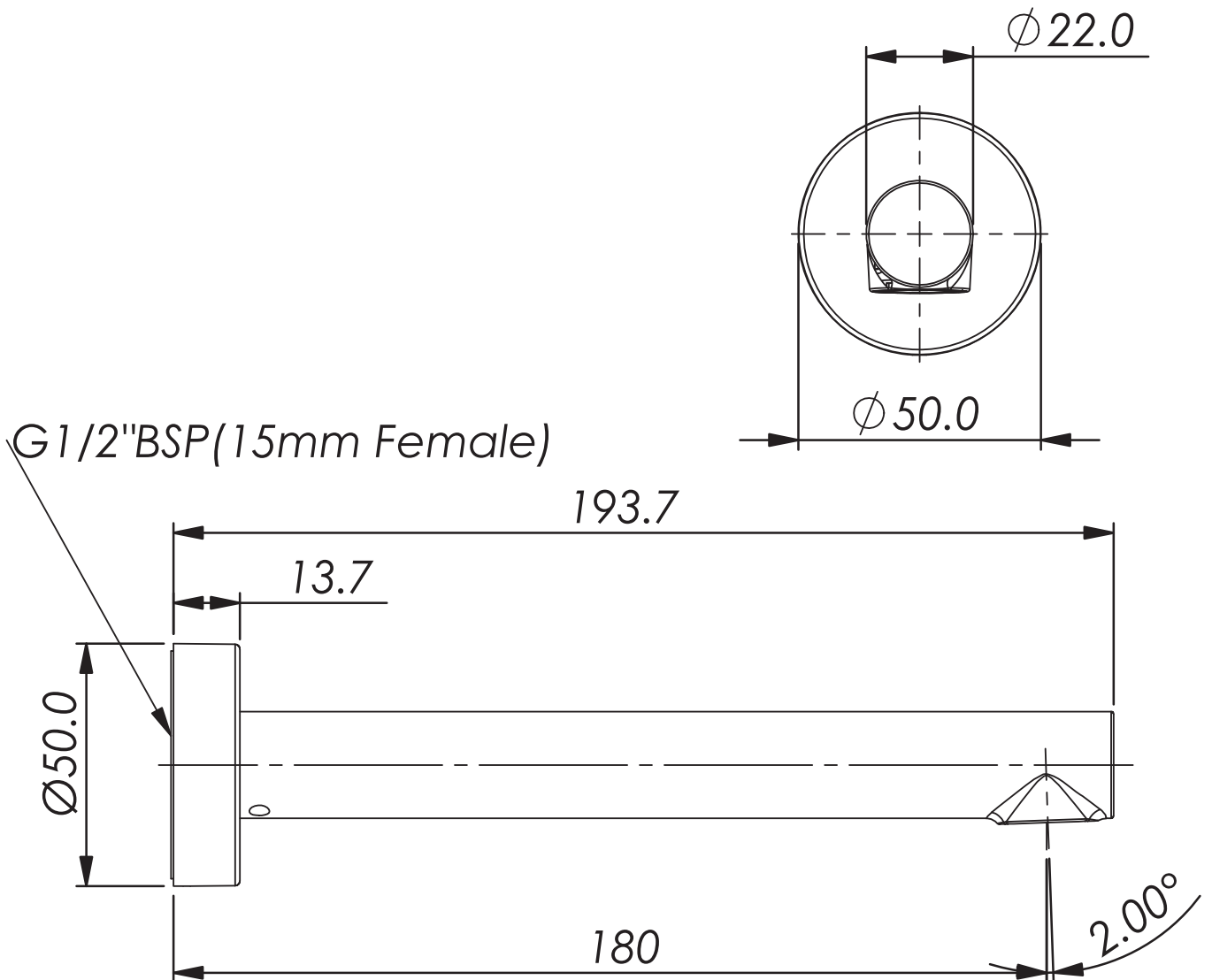


MACI Bath Spout

- 21204280 | Chrome
- 21204281 | Brushed Nickel
- 21204286 | Brushed Brass
- 21204287 | Matte Black
- 21204289 | Gun Metal

WELS N/A | AP | Features FloBOOST
Technology | Ø105mm Faceplate

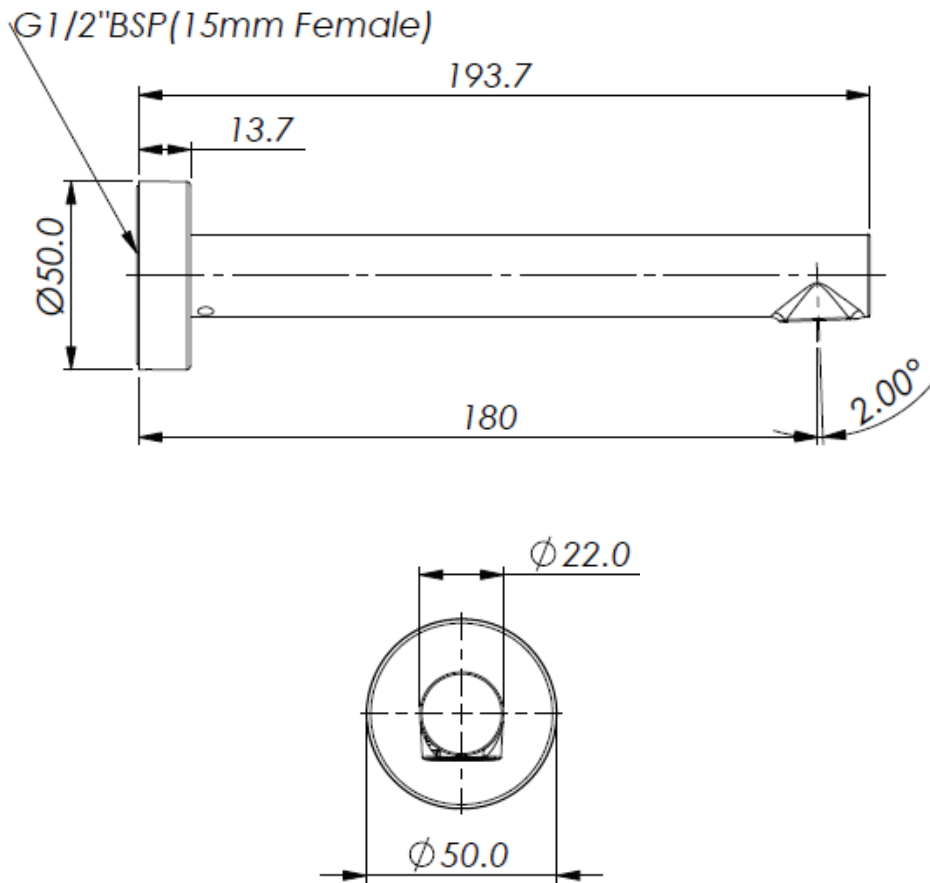




MACI & MIKA WALL MOUNTED BATH SPOUT INSTALLATION INSTRUCTIONS

| |
|-----------|
| PRODUCT # |
|-----------|

| |
|---------|
| BATCH # |
|---------|



Installation shall be in accordance with the AS/NZS3500 series of standards.

Please leave this instruction sheet with the customer.

INSTALLATION INSTRUCTIONS

NOTE: For finished wall, please refer to drawing to ensure the flange overs the mounting hole.

Install a brass 15mm male wingback elbow (not supplied).

1. Note: Mounting adaptor requires **MAX 15mm thread from finished wall.**

Install the female mounting adaptor.

1. Remove the 15mm female mounting adaptor by unscrewing the grub screws under the spout until nearly out.
 - a. This is to ensure the O-ring on the adaptor is not cut.
2. Cut the inlet thread to MAX 15mm from finished wall.
3. Install using a spanner or a 10mm Allen key.
 - a. **Back edge of the adaptor to be level with the finished wall as shown.**

Install spout.

1. Grease the O-ring on adaptor.
2. Install spout to mounting adaptor and tighten the grub screws.
 - a. **Check the grub screws are not protruding into the bore**, to ensure the O-ring on the adaptor is not cut.
 - b. Ensure the O-ring seal is on the spout trim.

