

FRESH PREMIUM RANGE



1630815
BASIN MIXER
5 STAR 5LPM



1630816
HIGH RISE BASIN MIXER FIXED
5 STAR 5LPM



1630818
BASIN / BATH MIXER & SPOUT
HANDLE ALWAYS ON RHS



1630817
BATH OR SHOWER WALL
MIXER

MINIMAL SIZE
COVER PLATE



1630819
LAUNDRY OR SINK MIXER
6 STAR 4.5 LPM

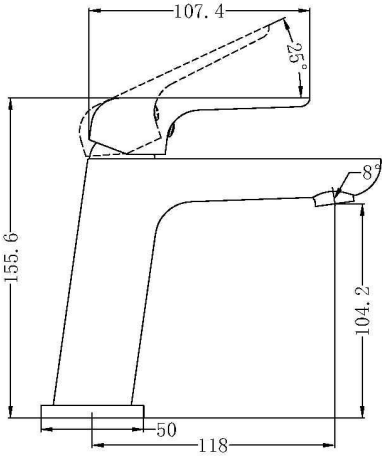
- SLIMLINE DESIGN
- MODERN ROUNDED EDGE LOOK
- 35MM CARTRIDGE
- AVAILABLE IN BRIGHT CHROME / MATTE BLACK OR BRUSHED NICKEL FINISH

- MATCHES EITHER ROUND OR SQUARE ACCESSORIES
- DURABLE STURDY RANGE
- 15 YEAR WARRANTY ON CARTRIDGE

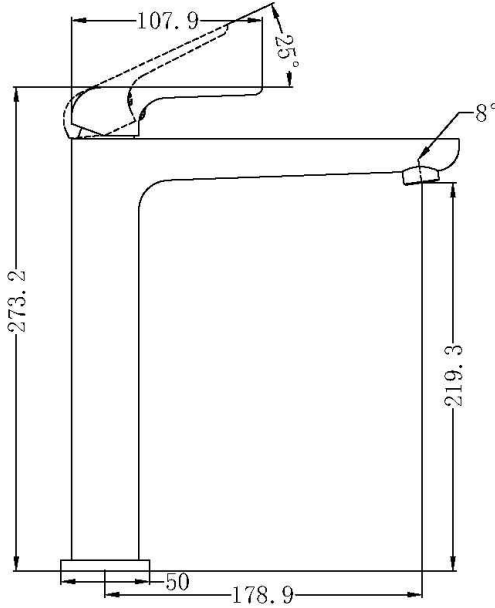
MEASUREMENTS ARE GUIDE ONLY
ALLOW FOR +/- VARIATIONS
HAVE ACTUAL ITEM ONSITE BEFORE COMMENCING WORKS



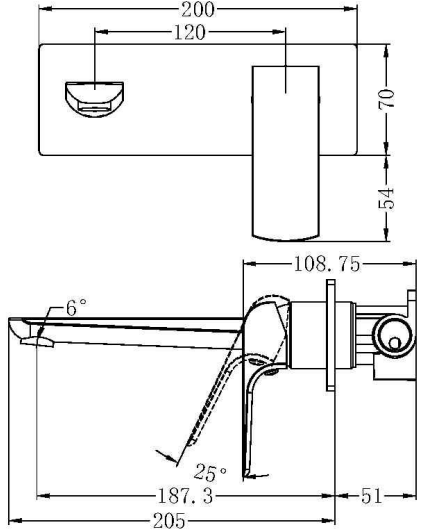
FRESH PREMIUM RANGE



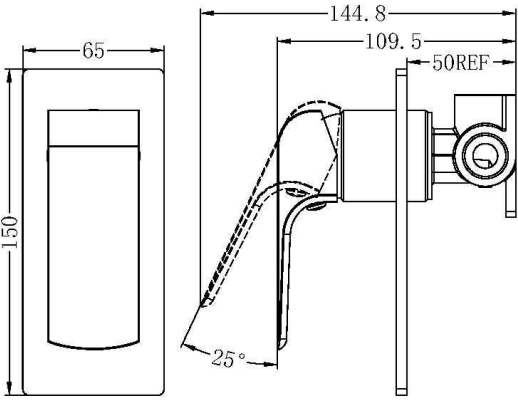
1630815
BASIN MIXER
5 STAR 5LPM



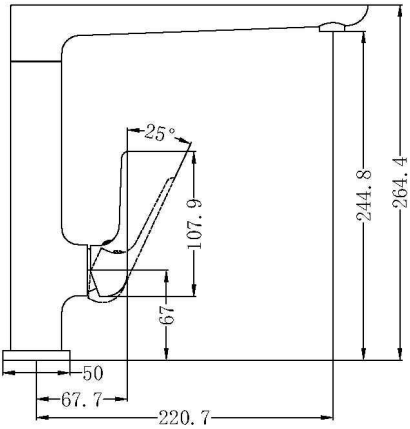
1630816
HIGH RISE BASIN MIXER FIXED
5 STAR 5LPM



1630818
BASIN / BATH MIXER & SPOUT
HANDLE ALWAYS ON RHS



1630817
BATH OR SHOWER WALL
MIXER



1630819
LAUNDRY OR SINK MIXER
6 STAR 4.5 LPM