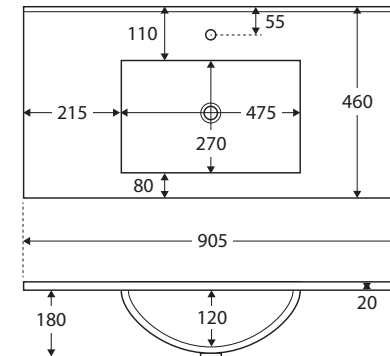


Dolce

CERAMIC BASIN-TOP 900MM

Features

- Rectangular bowl design
- 20 mm thick vitreous china
- Gloss white finish
- 3 mm tile lip
- 12 o'clock tap hole as standard
(3 tap holes or no tap holes also available)
- Integrated overflow
- Chrome overflow ring included
- Requires 32 mm overflow waste (available separately)



Available in



1 tap hole
TCL90



3 tap hole
TCL90-3



No tap hole
TCL90-0

Cleaning & Care

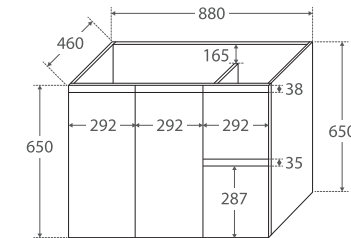
- Wipe with a clean, soft cloth and mild soapy water or non-abrasive bathroom cleaner. Test in an inconspicuous area before cleaning the whole top.
- Avoid placing hot objects, such as hair straighteners, on any surface as these will cause discolouration and marking.
- Spills of hair dye, after-shave lotion, nail polish and remover, aerosol spray and other harsh chemicals should be removed immediately to prevent damage and discolouration. Clean immediately with mild soapy water using a clean, soft cloth.

While we aim to ensure specifications are correct at the time of publication, Fienza reserves the right to make modifications without prior notice. Physical colour may vary from image shown. All measurements are shown in millimetres. For ceramic products, please allow +/- 10 mm tolerance for manufacturing variance. Always use physical product measurements for mark-ups and roughing-in as the technical drawing may differ from actual product received.

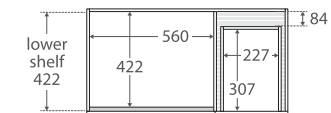
Edge Industrial 900MM WALL-HUNG CABINET

Features

- Industrial textured print on interior and exterior
- Bevelled edge pull-channel
- Soft-close doors and drawers
- Full extension drawer runners
- 16 mm thick backing board and drawer bases



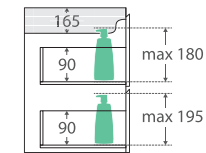
TOP VIEW: SHELF AREA & DRAWER AREA



SIDE VIEW: SHELF STORAGE



SIDE VIEW: RECESS & DRAWER STORAGE



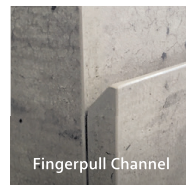
Available in



Industrial with
Left Drawers
90XL



Industrial with
Right Drawers
90XR



Fingerpull Channel

Cleaning & Care

- Regularly clean with mild soapy water using a clean, soft cloth.
- Do not use harsh detergents, bleach, abrasive cleaners or cream/wax cleaners. These substances can result in scratches and/or deposit build-ups that will affect the appearance.
- Avoid placing hot objects, such as hair straighteners, on any surface as these will cause discolouration and marking.
- Spills of hair dye, after-shave lotion, nail polish and remover, aerosol spray and other harsh chemicals should be removed immediately to prevent damage and discolouration. Clean immediately with mild soapy water using a clean, soft cloth.

While we aim to ensure specifications are correct at the time of publication, Fienza reserves the right to make modifications without prior notice. Physical colour may vary from image shown. All measurements are shown in millimetres. Always use physical product measurements for mark-ups and roughing-in as the technical drawing may differ from actual product received.