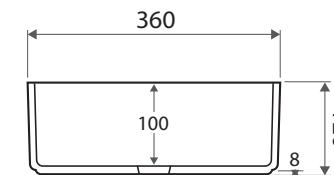
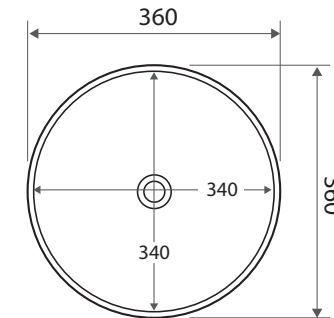


Reba

ABOVE COUNTER BASIN

Features

- Available in various colours and finishes
- Fully vitreous china
- No tap hole or overflow
- Requires 32 mm waste without overflow (not included)
- Capacity: 7 litres



Available in



Gloss White
RB3134



Matte White
RB3134W



Matte Pink
RB3134P



Matte Green
RB3134G



Matte Blue
RB3134BLUE



Matte Light Grey
RB3134LG



Matte Dark Grey
RB3134DG



Matte Black
RB3134B

Cleaning & Care

- Wipe with a clean, soft cloth and mild soapy water or non-abrasive bathroom cleaner. Test in an inconspicuous area before cleaning the whole basin.
- Avoid placing hot objects, such as hair straighteners, on any surface as these will cause discolouration and marking.
- Spills of hair dye, after-shave lotion, nail polish and remover, aerosol spray and other harsh chemicals should be removed immediately to prevent damage and discolouration. Clean immediately with mild soapy water using a clean, soft cloth.

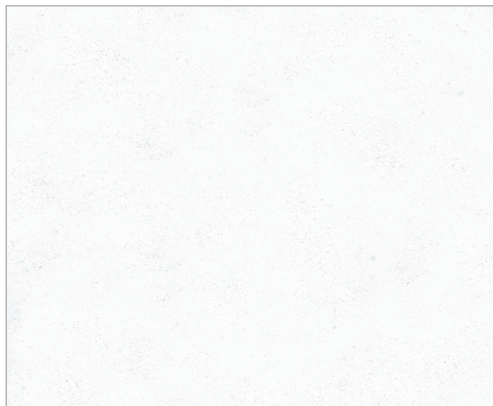
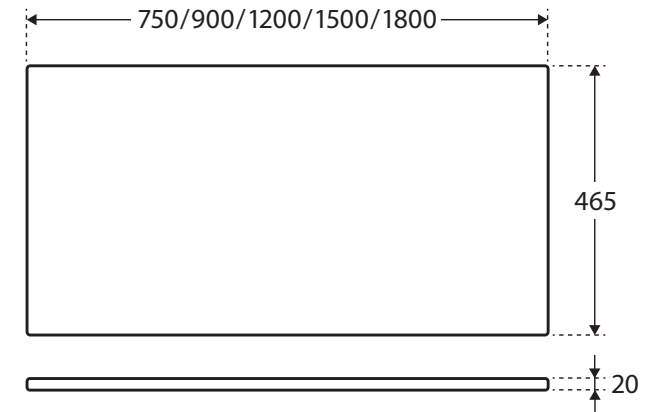
While we aim to ensure specifications are correct at the time of publication, Fienza reserves the right to make modifications without prior notice. Physical colour may vary from image shown. All measurements are shown in millimetres. For ceramic products, please allow +/- 10 mm tolerance for manufacturing variance. Always use physical product measurements for mark-ups and roughing-in as the technical drawing may differ from actual product received.

Crystal Pure

STONE TOP,
FULL SLAB

Features

- Crystal white, engineered quartz stone top
- 20mm thick, 465mm deep
- Full slab only – tap hole and basin hole cuts may attract additional charges



Available in



750mm
503-102



900mm
503-103



1200mm
503-104



1500mm
503-105



1800mm
503-106

Cleaning & Care

- Wipe with a clean, soft cloth and mild soapy water or non-abrasive bathroom cleaner. Test in an inconspicuous area before cleaning the whole top.
- Avoid placing hot objects, such as hair straighteners, on any surface as these will cause discolouration and marking.
- Spills of hair dye, after-shave lotion, nail polish and remover, aerosol spray and other harsh chemicals should be removed immediately to prevent damage and discolouration. Clean immediately with mild soapy water using a clean, soft cloth.

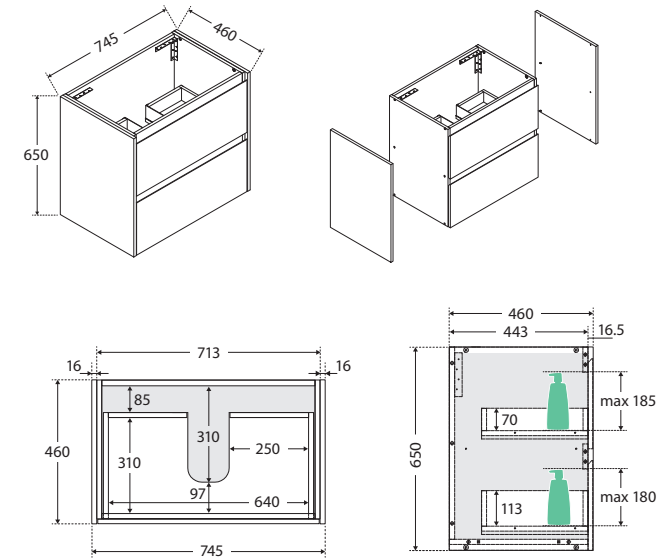
While we aim to ensure specifications are correct at the time of publication, Fienza reserves the right to make modifications without prior notice. Physical colour may vary from image shown. All measurements are shown in millimetres. Always use physical product measurements for mark-ups and roughing-in as the technical drawing may differ from actual product received.

Amato[®]

750MM WALL-HUNG CABINET WITH SOLID PANELS

Features

- Customised options with solid side panels in four finishes
- Bevelled edge pull channel
- Interior drawer finish matches the external drawer fronts
- Full extension, soft close drawer runners
- 16 mm thick backing board and drawer bases
- Made from sustainably sourced timber



Available in



Satin White with
Satin White Panels
75BW



Scandi Oak with
Scandi Oak Panels
75BS



Industrial with
Industrial Panels
75BX



Satin Black with
Satin Black Panels
75BB



Mixed finishes
available. See our
website for details.

Cleaning & Care

- Regularly clean with mild soapy water using a clean, soft cloth.
- Do not use harsh detergents, bleach, abrasive cleaners or cream/wax cleaners. These substances can result in scratches and/or deposit build-ups that will affect the appearance.
- Avoid placing hot objects, such as hair straighteners, on any surface as these will cause discolouration and marking.
- Spills of hair dye, after-shave lotion, nail polish and remover, aerosol spray and other harsh chemicals should be removed immediately to prevent damage and discolouration. Clean immediately with mild soapy water using a clean, soft cloth.

While we aim to ensure specifications are correct at the time of publication, Fienza reserves the right to make modifications without prior notice. Physical colour may vary from image shown. All measurements are shown in millimetres. Always use physical product measurements for mark-ups and roughing-in as the technical drawing may differ from actual product received.