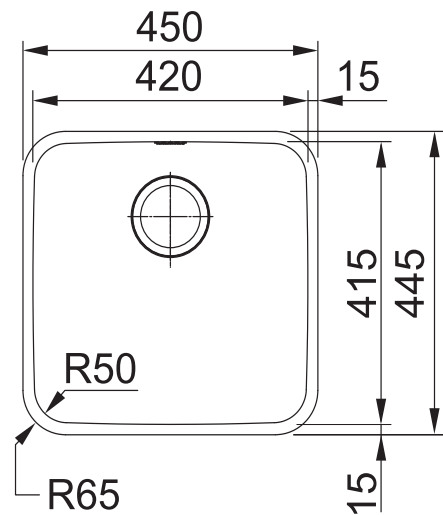


# BCX 210-42 BELL SINK



## PRODUCT INFORMATION

<b>Installation</b>	Topmount/Undermount
<b>Dimensions</b>	450(W) x 445(H)mm
<b>Cabinet Base</b>	600mm
<b>Bowl Size</b>	420(W) x 415(H) x 200(D)mm/34L
<b>Bowl Radius</b>	50mm
<b>Cut-Out Size</b>	Template
<b>Cut-Out Template</b>	Yes
<b>Waste Outlet</b>	Semi Integrated Waste
<b>Overflow</b>	No
<b>Tap Holes</b>	No
<b>Remote Waste</b>	No
<b>Finish</b>	Stainless Steel



**1** ACCESSORIES AVAILABLE **1** ACCESSORIES INCLUDED

BARE SINK OPTION AND SOME SINK & TAP PACKAGES DO NOT INCLUDE ACCESSORIES.  
PLEASE CHAT TO YOUR SALES CONSULTANT FOR FURTHER INFORMATION.

## ACCESSORIES

- 1**



**DB 448**  
Drainer Basket
- 2**



**CB 932**  
Chopping Board
- 3**



**DT 360**  
Extension Drainer

LAST UPDATED: 22 MARCH 2021