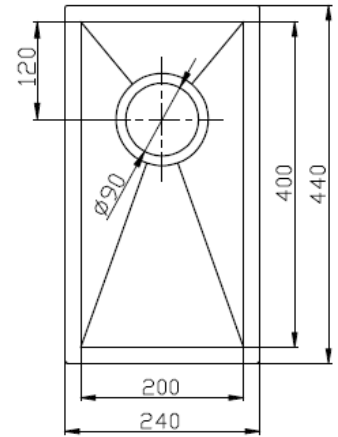


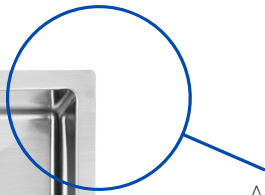
EURO UNDERMOUNTS



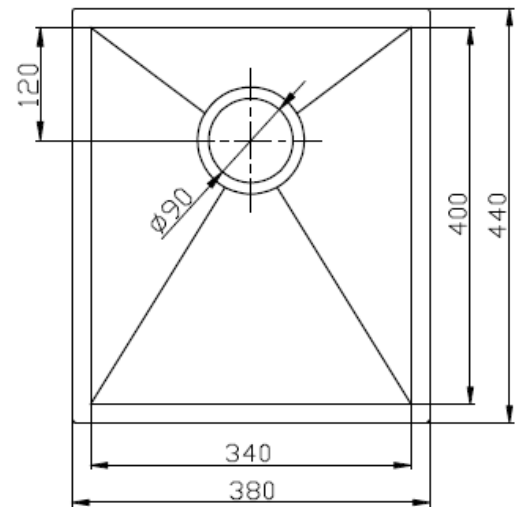
WASTES ARE POSITIONED AT THE REAR TO PROVIDE MORE SPACE IN YOUR CUPBOARDS



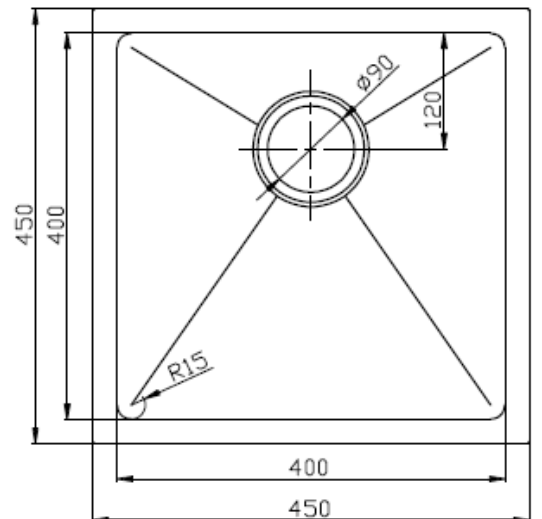
- 1641032 PRAGUE 240mmL X 440mmW x 190mmDeep



ALL CORNERS ARE RADIUS 15 FOR EASY CLEANING



- 1641033 LISBON 380mmL X 440mmW x 190mmDeep



- 1614138 WASHINGTON 450mmL X 450mmW x 200mmD

- 304 STAINLESS STEEL
- 1.2mm THICKNESS
- HANDMADE SINK
- MEASUREMENTS ARE OVERALL
- COMES WITH BASKET WASTES

- GENEROUS BOWL DEPTH
- R15 CORNERS FOR EASY CLEANING
- BASKET WASTES POSITIONED TOWARDS THE REAR
- INDIVIDUAL CARTON PACKAGED
- CAN BE INSTALLED UNDER OR TOP MOUNT

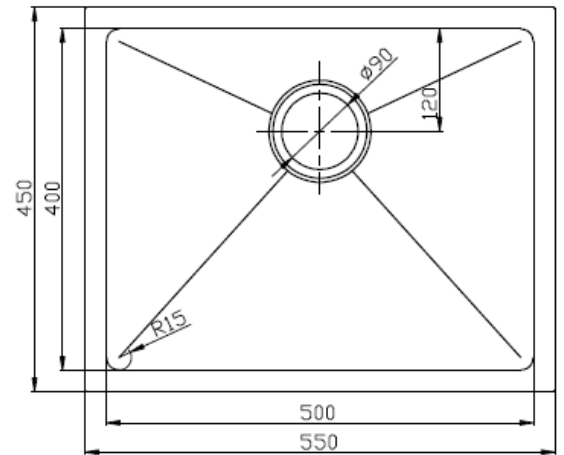
USE ACTUAL ITEM FOR CUT OUT MEASUREMENTS
Allow for +/-10mm to measurements



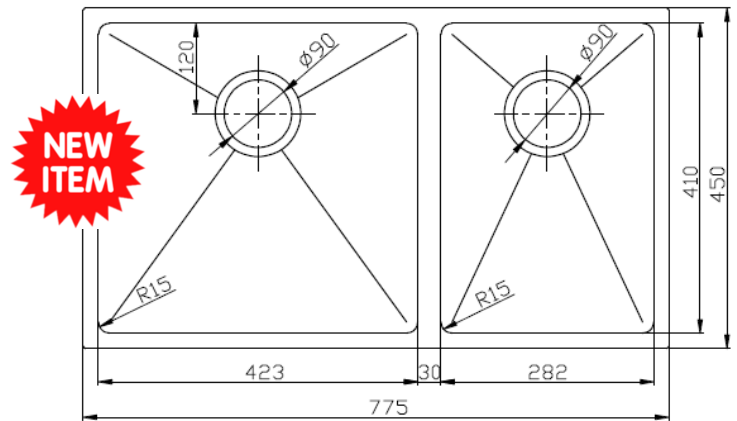
EURO UNDERMOUNTS



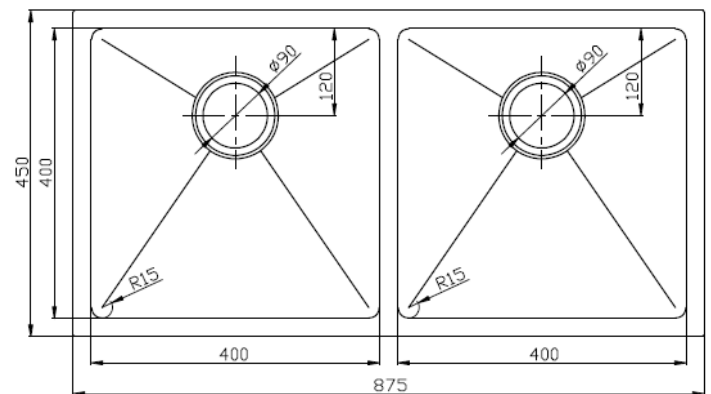
- 1614139 TOKYO 550mmL X 450mmW x 200mmD



- 1641034 HELSINKI 775mmL X 450mmW x 254mmD



- 1614140 ROMA 875mmL X 450mmW x 200mmD



- 304 STAINLESS STEEL
- 1.2mm THICKNESS
- HANDMADE SINK
- MEASUREMENTS ARE OVERALL
- COMES WITH BASKET WASTES
- GENEROUS BOWL DEPTH
- R15 CORNERS FOR EASY CLEANING
- BASKET WASTES POSITIONED TOWARDS THE REAR
- INDIVIDUAL CARTON PACKAGED
- CAN BE INSTALLED UNDER OR TOP MOUNT

USE ACTUAL ITEM FOR CUT OUT MEASUREMENTS
Allow for +/-10mm to measurements