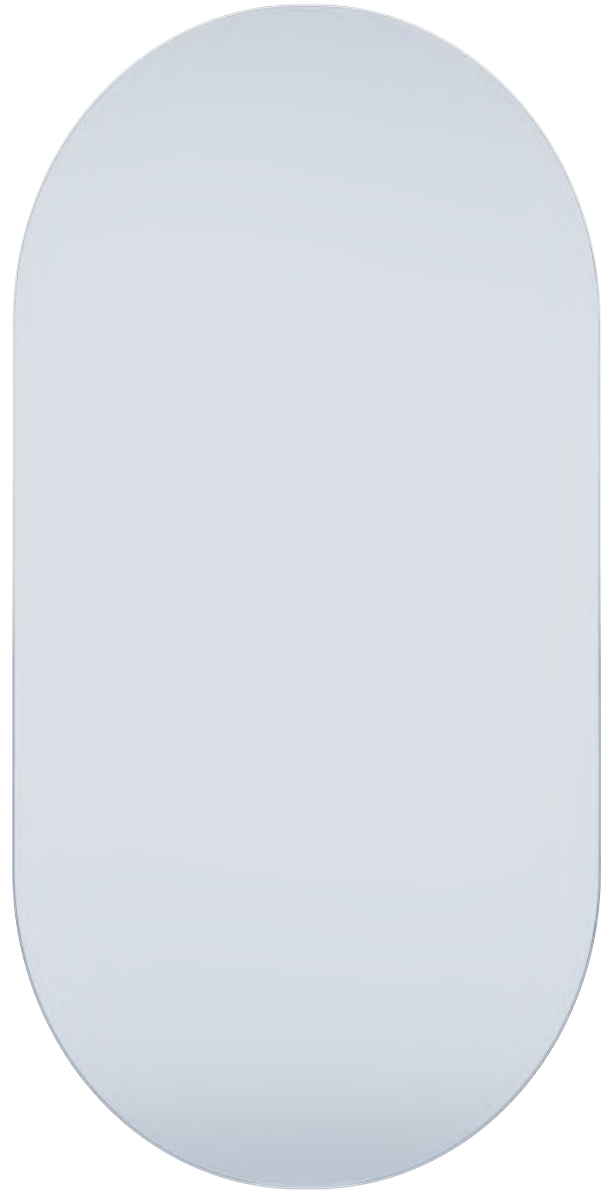
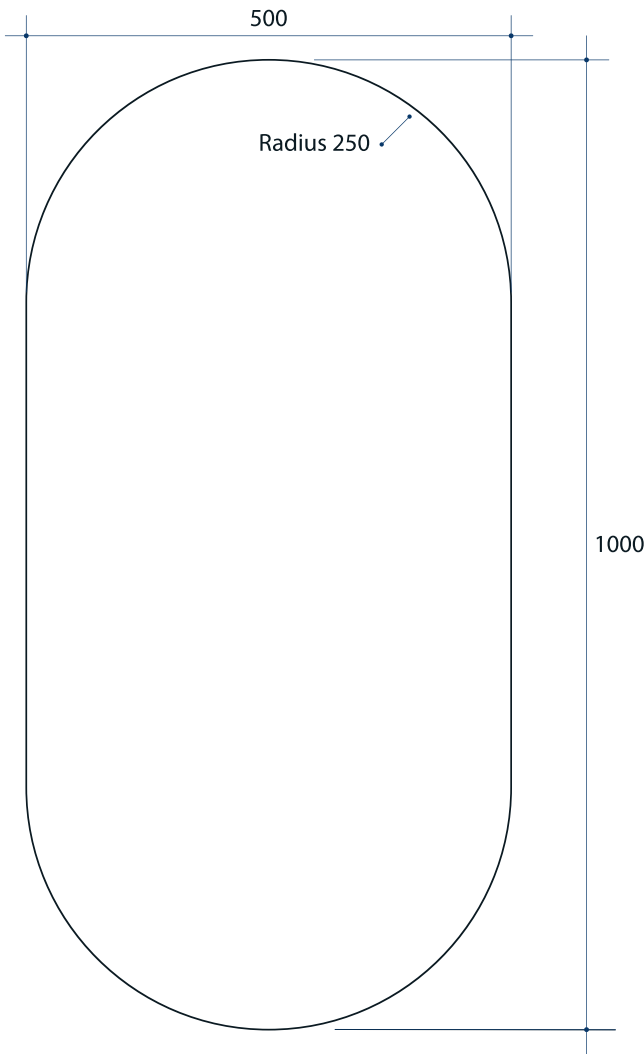


# Ablaze Pill Shape Mirror



Note: All dimensions are in millimetres (mm)

Stock Code	Size (mm)	Shape	Edge
DP5010GTD	500 x 1000 x 5	Pill	Polished Pencil Edge

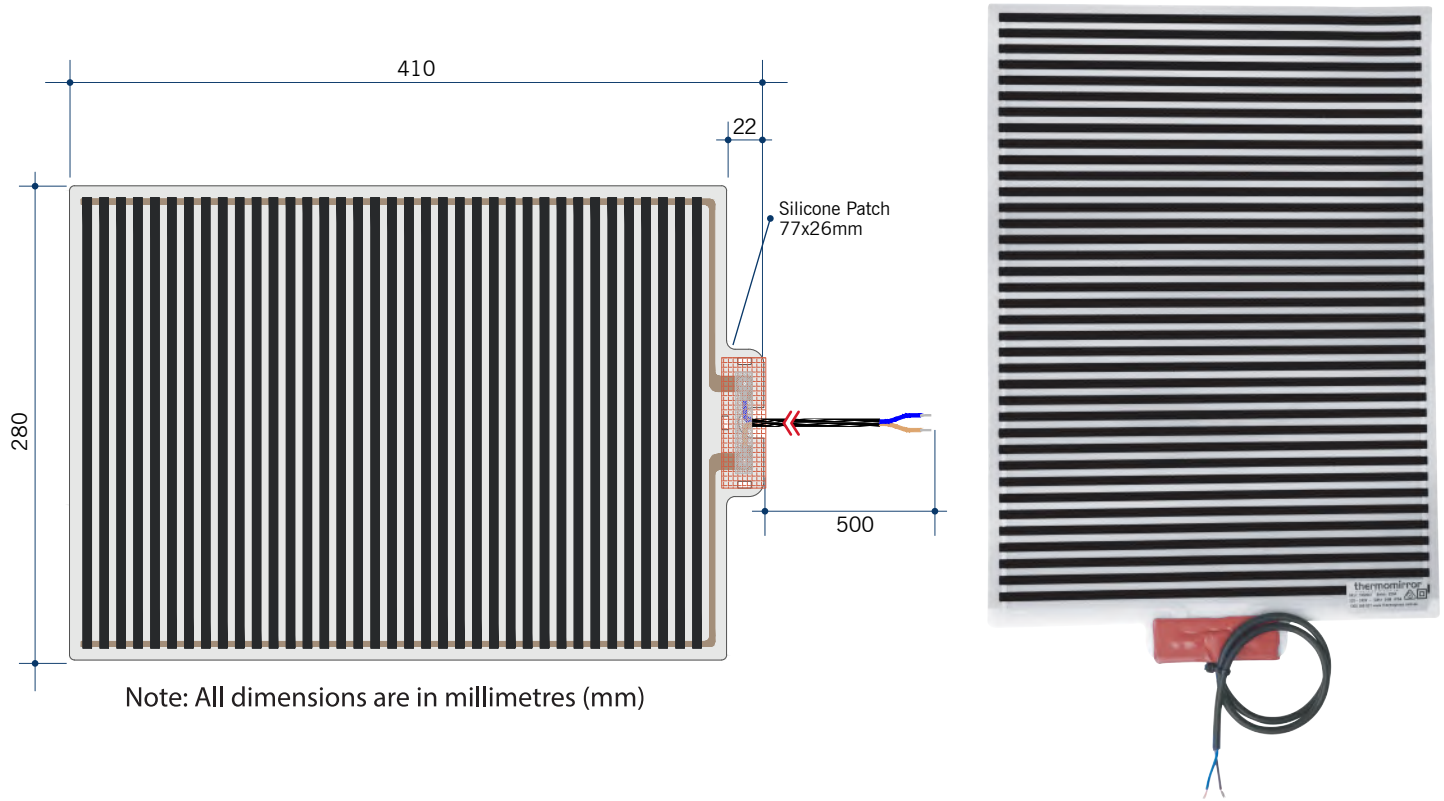


**Please note:**

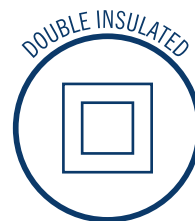
Mirrors will need to be installed in accordance with the Installation Guide. Ablaze does not take responsibility for incorrect installation of these mirrors.

# Thermomirror Mirror Demister

## Ultra-thin Demister Pad for use on Bathroom Mirrors

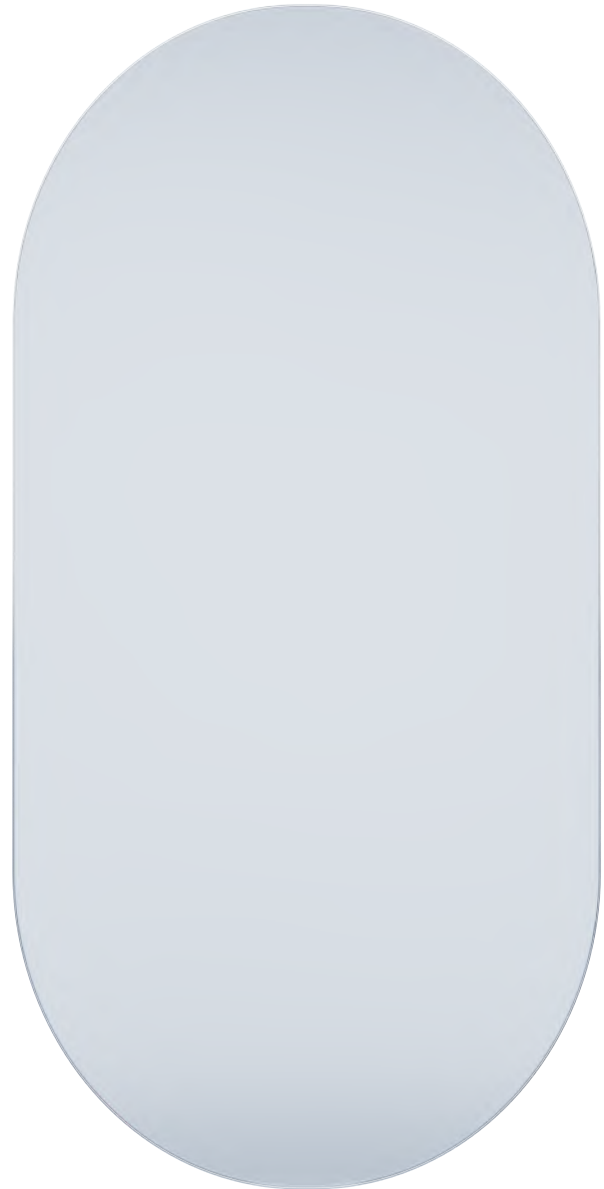
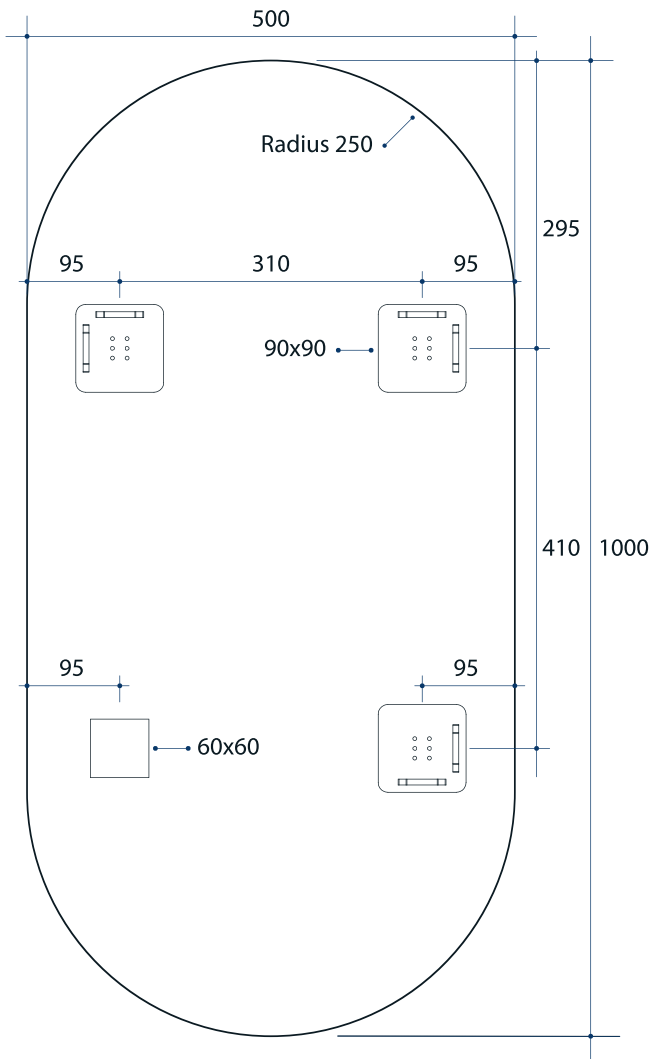


Stock Code	Size (mm)	Heat Output (W)	Voltage - Frequency
TM2841	280 x 410	24	220 - 240V 50Hz



Thermomirror demisters must be installed by a qualified electrician.  
The demister cannot be cut, pierced or modified in anyway.

# Ablaze Pill Shape Mirror



Note: All dimensions are in millimetres (mm)

Stock Code	Size (mm)	Shape	Edge
DP5010HND	500 x 1000 x 11	Pill	Polished Pencil Edge

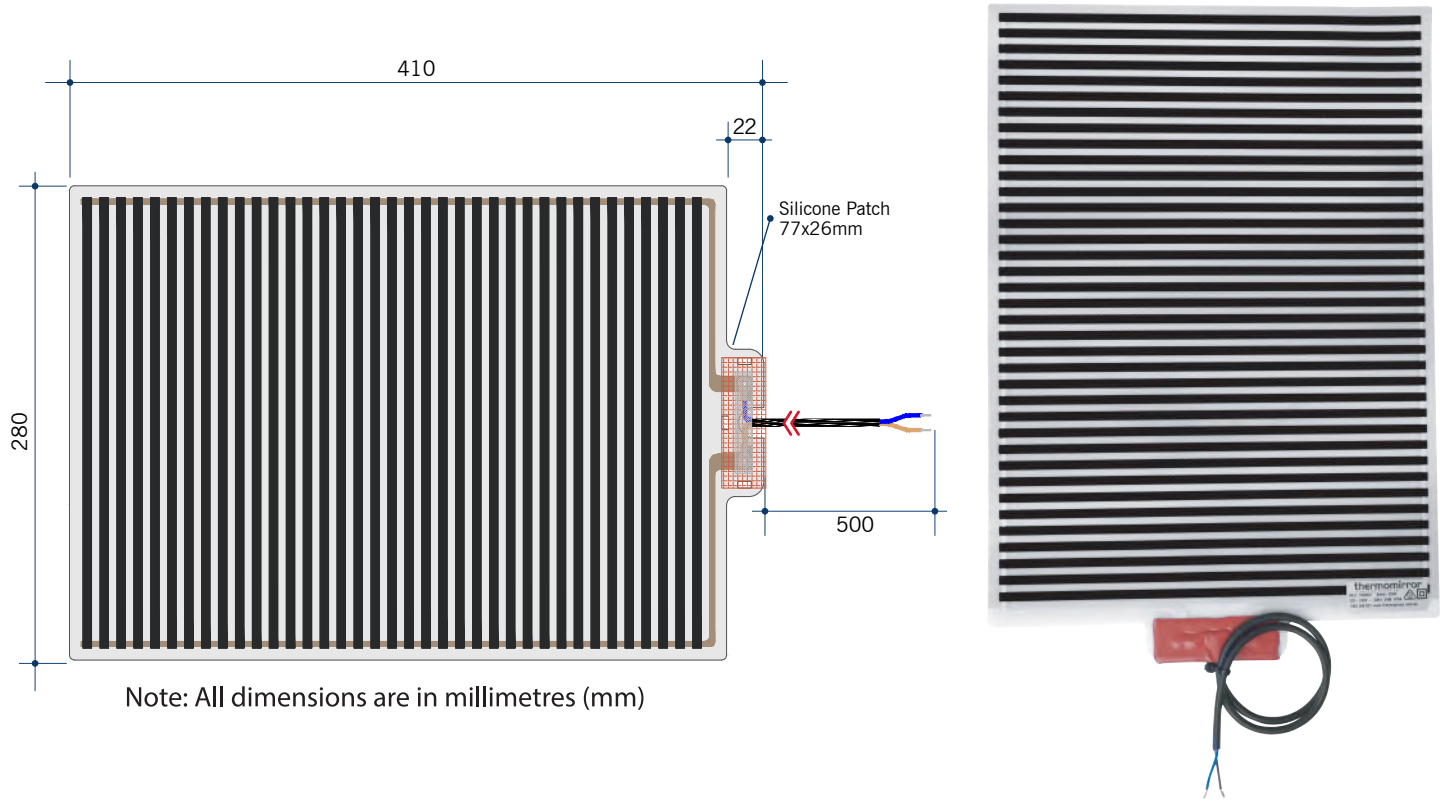


**Please note:** Bracket location may vary +/- 5mm. do not pre-drill holes for mounts before confirming exact locations on your mirror. Do not use or measure from drawings.

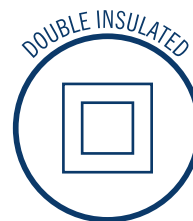
Mirrors will need to be installed in accordance with the Installation Guide. Ablaze does not take responsibility for incorrect installation of these mirrors.

# Thermomirror Mirror Demister

## Ultra-thin Demister Pad for use on Bathroom Mirrors



Stock Code	Size (mm)	Heat Output (W)	Voltage - Frequency
TM2841	280 x 410	24	220 - 240V 50Hz



Thermomirror demisters must be installed by a qualified electrician.  
The demister cannot be cut, pierced or modified in anyway.