

LIFE ASSIST

RIMLESS FLUSH TO WALL SPECIAL NEEDS TOILET SUITE

JohnsonSuisse
Bathroom Solutions

CODE:
JTTLA401.J2750SN

FEATURES

- FLUSH TO WALL TOILET SUITE DESIGNED FOR SPECIAL NEEDS APPLICATIONS
- EXTENDED WC PAN FOR WHEELCHAIR SIDE ACCESS - AS1428.1 COMPLIANT
- RAISED FLUSH BUTTONS (BLUE) FOR EASE OF OPERATION
- RIMLESS BOWL DESIGN WITH ANTIMICROBIAL NANO GLAZE FOR HYGIENIC FLUSHING
- SPECIAL NEEDS SEAT (BLUE OR GREY) WITH LATERAL STABILISERS
- CISTERN WITH CONCEALED BACK ENTRY WATER INLET
- VARIABLE S TRAP PAN CONNECTOR (100-300mm SET OUT)

COMPONENTS

LIFE ASSIST RIMLESS FLUSH TO WALL PAN

LIFE ASSIST CISTERN

ASSIST+ TOILET SEAT

BLUE }
GREY } OR
WHITE }

JTTLA401

J2750SN

RB6044B

RB6044G

RB6044W

J2750SN STANDARD WITH CHROME RAISED BUTTON
J2750SNB IS KITTED WITH A BLUE RAISED BUTTON

WARRANTY

REFER TO T&CS AT johnsonsuisse.com.au



Backrest
supplied
separately



AS1428.1
COMPLIANT

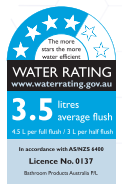
Special Note

For compliance with AS1428.1 the seat is available in grey or blue colour to provide contrast for vision impaired individuals. The seat also has lateral stabilisers fitted for people with ambulatory limitations and there is no seat lid.

Note that the design of the installation must comply with AS1428.1(2009)-Design for access and mobility

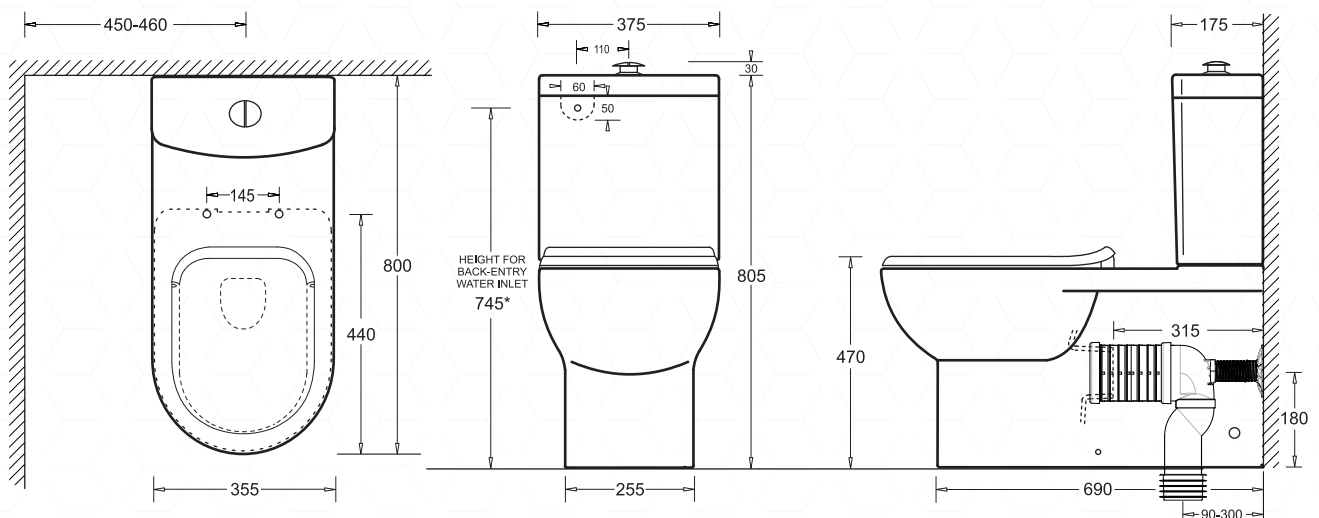


WaterMark
LIC:WM 21238
AS1172
SAI Global



WATER RATING
www.waterrating.gov.au
3.5 litres
Average flush
4.5 L per full flush / 3 L per half flush
In accordance with AS/NZS 4040
Licence No. 0137
Bathroom Products Australia PT.

PRODUCT DIMENSIONS



OPTIONS

PAN CONNECTOR S - 300- 370mm SET OUT

X011B

TECHNICAL DATA SHEET

SUPERSEDES ALL PREVIOUS ISSUES

All dimensions are in millimetres and are subject to normal manufacturing variation. As product development is ongoing BPA reserves the right to vary specifications without notice.
Bathroom Products Australia P/L ABN 87 079 297 617

JohnsonSuisse
Bathroom Solutions

2/97 Banksia St., Botany, NSW 1919
TEL: 1300 717 717 FAX: 1300 746 480
www.johnsonsuisse.com.au

V1 0820