

SHENSEKI

Made in Australia

INSET BATH/SPA BATH WITH TILE BEAD - Premium Sanitary Grade Acrylic, High Gloss White

The Shenseki's maximised space & internal depth makes for a comfortable bathing experience. This bath is small in size & big on impact, making it ideal for a smaller bathroom. *End waste position.*

- Molded arm rests
- Lumbar support
- Suitable for dual bathing
- Slip resistant pattern



SHENSEKI BATH

SIZE (l) x (w) x (d) mm	CAPACITY*	NET WEIGHT	CODE
1395 x 755 x 480	137L	20.5kg	SHEN1400W
1515 x 810 x 520	192L	21kg	SHEN1510W



- 15 YR WARRANTY*
- AS/NZ Standard 2023/1995
- Steel rod reinforced rim
- Double reinforced bath base



SHENSEKI SANTAI SPA BATH ● 10 JETS

SIZE (l) x (w) x (d) mm	CAPACITY*	NET WEIGHT	CODE
1395 x 755 x 480	137L	35kg	SHEN1400SAN10JW
1515 x 810 x 520	191L	37kg	SHEN1510SAN10JW

- 10 YR WARRANTY* - SPA SHELL
- 6 x low profile Mod centro jets
- 5 YR WARRANTY* - PUMP, JETS & FITTINGS
- 4 x low profile Mod mini jets
- AS/NZ Standard AS3861/1991
- 1 x low profile Mod suction
- Steel rod reinforced rim
- 1 x Mod power button (rim mounted)
- 2 x Mod air controls (rim mounted)
- 750 watt auto heat boost pump



SHENSEKI CONTOUR SPA BATH ●● 12 JETS

SIZE (l) x (w) x (d) mm	CAPACITY*	NET WEIGHT	CODE
1395 x 755 x 480	137L	35kg	SHEN1400CNPAWC
1515 x 810 x 520	191L	37kg	SHEN1510CNPAWC

- 10 YR WARRANTY* - SPA SHELL
- 6 x flush C-Lenda™ centro jets
- 5 YR WARRANTY* - PUMP, JETS & FITTINGS
- 6 x flush C-Lenda™ mini jets
- AS/NZ Standard AS3861/1991
- 2 x flush C-Lenda™ air controls
- Steel rod reinforced rim
- 1 x flush C-Lenda™ suction
- Double reinforced bath base
- 1 x Sensa-Touch pad control (rim mounted)
- 750 watt 3-stage heat boost pump



SHENSEKI DOLCE VITA SPA BATH ●●● 16 JETS

SIZE (l) x (w) x (d) mm	CAPACITY*	NET WEIGHT	CODE
1395 x 755 x 480	137L	65kg	SHEN1400DVSPAWC
1515 x 810 x 520	191L	68kg	SHEN1510DVSPAWC

- 10 YR WARRANTY* - SPA SHELL
- 6 x adjustable flush C-Lenda™ centro jets
- 5 YR WARRANTY* - PUMP, JETS & FITTINGS
- 10 x adjustable flush C-Lenda™ mini jets
- AS/NZ Standard AS3861/1991
- 2 x flush C-Lenda™ air controls
- Steel rod reinforced rim
- 1 x flush C-Lenda™ suction
- Double reinforced bath base
- Spa Key remote control
- 1100 watt spa key heat boost pump

Available with Chrome, White or Black jets

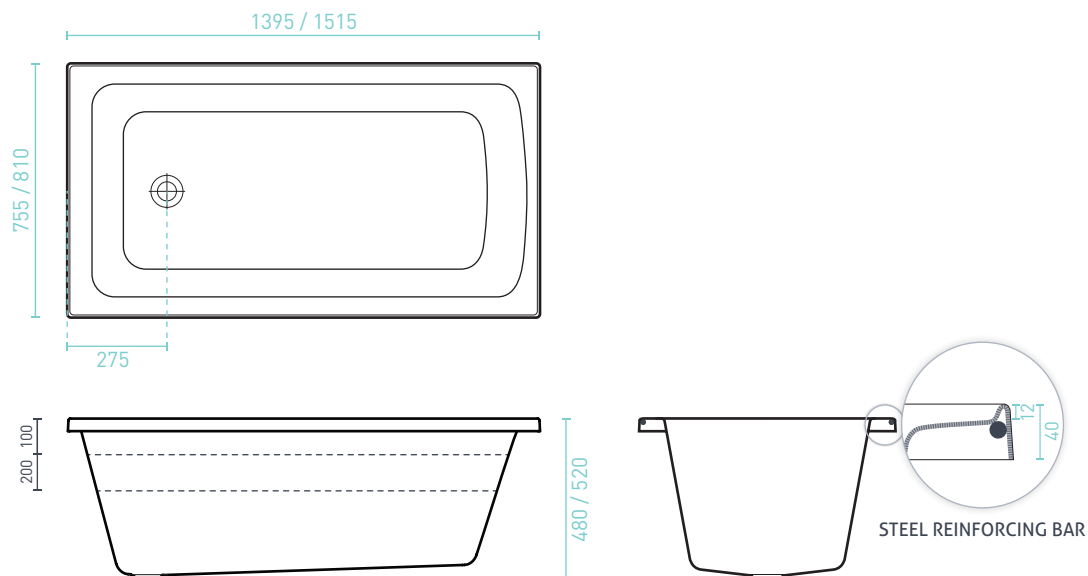


SHENSEKI ACCESSORIES	BATH	SANTAI SPA BATH	CONTOUR SPA BATH	DOLCE VITA SPA BATH
EZI Frame/Base Support Frame	Optional (N/A 1395mm)	Optional	Optional	✓
FIORE Headrest (Black/White)	Optional	Optional	✓ x 1	✓ x 1
Overflow	Optional	Optional	Optional	Optional
Plug & Waste	Optional	Optional	Optional	Optional

*Capacity 200mm below the bath rim

SHENSEKI

INSET BATH/SPA BATH WITH TILE BEAD - Premium Sanitary Grade Acrylic, High Gloss White



SPA BATH ORDER FORM

Spa baths are made to order on receipt of the order form & are non-refundable. Please allow 15 working days for completion & dispatch. We recommend filling out your SPA BATH ORDER FORM with your qualified spa bath installer.

COMPANY & BRANCH: _____ PHONE NO: _____

CONTACT: _____ ORDER NO: _____ DATE: _____

MODEL: _____ SIZE: _____ QTY: _____ RANGE SANTAI CONTOUR DOLCE VITA

SANTAI SPA BATH OPTIONS

PUMP UPGRADE Manual Xtra-Heat Boost Pump (RRP \$215)

PUMP UPGRADE Sensa-Touch Pad Control 3-Stage Heat (RRP \$425)

EZI FRAME (RRP from \$115) Supplied Factory Fitted (Additional cost)

BASE SUPPORT FRAME Factory Fitted (RRP \$325)

HEADRESTS (RRP \$99 each) White QTY: _____ Black QTY: _____

OVERFLOW (RRP from \$120)

CONTOUR SPA BATH OPTIONS

EZI FRAME (RRP from \$115) Supplied Factory Fitted (Additional cost)

BASE SUPPORT FRAME Factory Fitted (RRP \$325)

HEADREST COLOUR (NO additional cost) White Black

OVERFLOW (RRP from \$120)

DOLCE VITA SPA BATH OPTIONS

HEADREST COLOUR (NO extra cost) White Black

JET COLOUR (NO extra cost) Chrome White Black 

OVERFLOW (RRP from \$120)

SPA PUMP NOTES

- The spa pump does not fit directly in the baths perimeter (allow 100mm)
- Waste positions can not be changed
- We recommend spa pumps installed outside are fitted with a Spa Pump Cover (RRP \$199)
- The spa pump must be easily accessible for maintenance
- The spa pump controls will always be at the front, unless indicated below

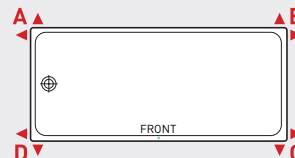
----- Please refer to the technical drawings before choosing your spa pump position, as spa bath waste & pump positions CAN NOT be customised -----

1. CIRCLE YOUR PUMP POSITION A / B / C / D ON THE DIAGRAM

300mm of pipework & 2 elbows are supplied to install the pump in the correct orientation. If extra pipework is required, how much? _____ mm (max. recommended distance between the spa bath & pump is 1.2m)

2. CROSS (X) YOUR SHOWER HEAD POSITION ON THE DIAGRAM (if applicable)

Spa pump controls can not be on the same end as the shower.



CUSTOMER NAME: _____ CUSTOMER SIGNATURE: _____

CUSTOMER EMAIL: _____ CUSTOMER PHONE NO: _____

*Whilst every effort is made to adhere to published jet & fittings positions, variation to specifications may occur without notice.