

UTILITY SINK - SMALL

COUNTER TOP DROP IN SINK

Nominal size 520 x 420mm



0 TAPHOLE

UTILITY SINK - SMALL

COUNTER TOP DROP IN SINK

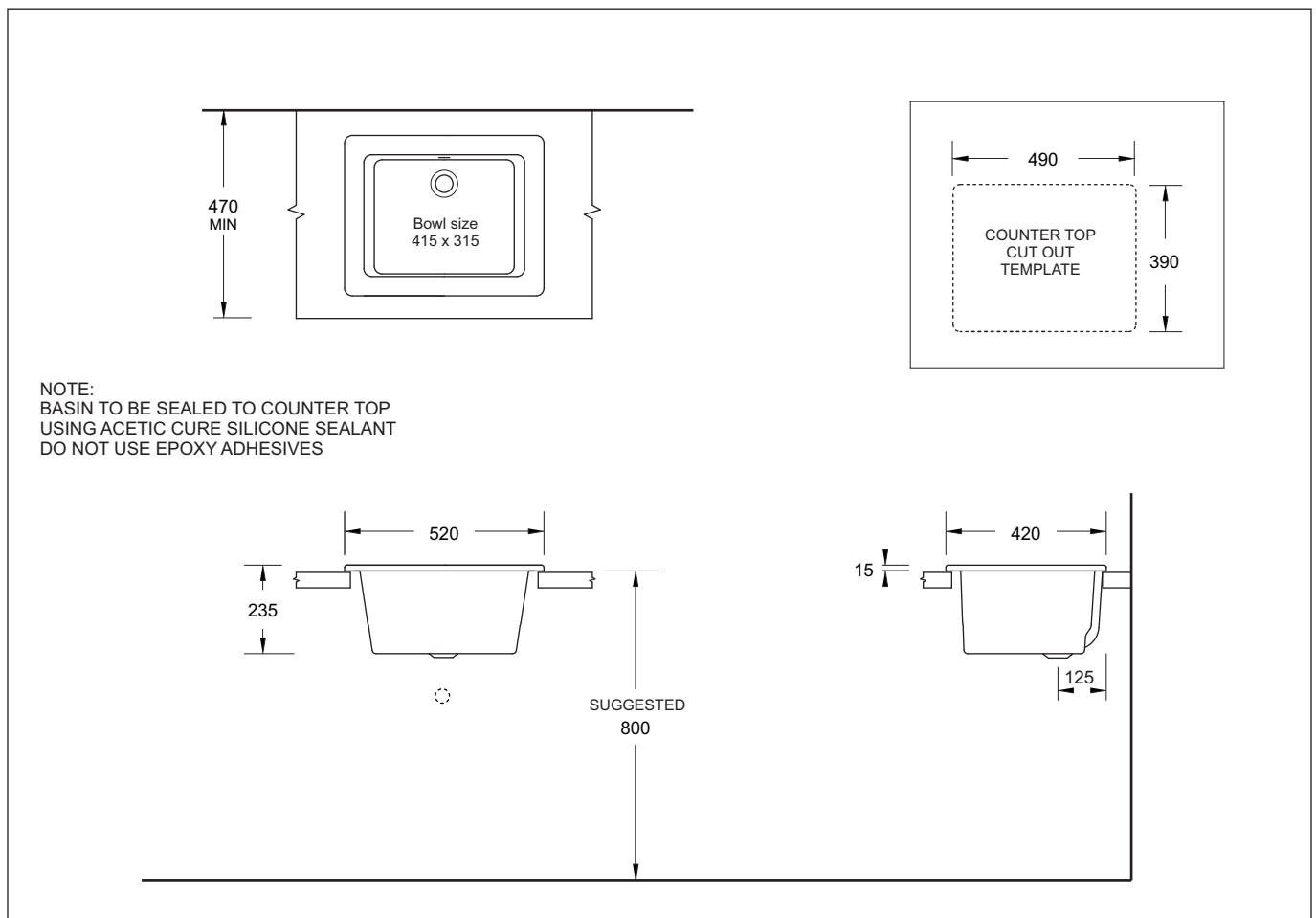
COTTO



- Small rectangular vitreous china utility sink
- Durable, inert glaze finish
- Standard overflow (no trim)
- No tap hole
- Bowl capacity 23L
- 32mm waste outlet
- 520 x 420mm

Provided

Item	Description	Code
Sink	Small Utility Sink	C5201
Plug & Waste	32/40mm Overflow-Chrome	PW1



NOTE:
BASIN TO BE SEALED TO COUNTER TOP
USING ACETIC CURE SILICONE SEALANT
DO NOT USE EPOXY ADHESIVES

UTILITY SINK - LARGE

COUNTER TOP DROP IN SINK

Nominal size 620 x 480mm



0 TAPHOLE

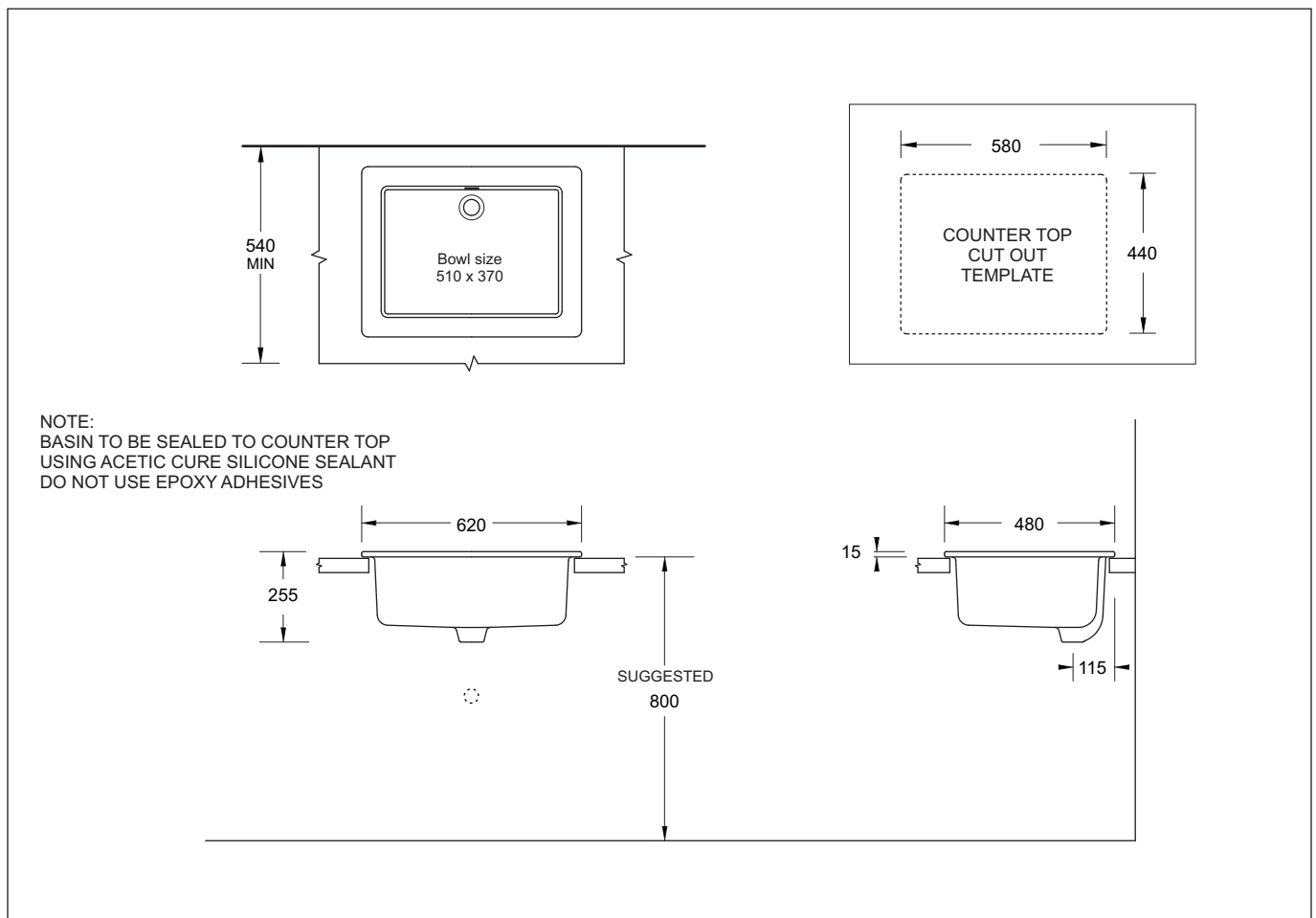
UTILITY SINK - LARGE

COUNTER TOP DROP IN SINK



- Large rectangular vitreous china utility sink
- Durable, inert glaze finish
- Standard overflow (no trim)
- No taphole
- Bowl capacity 29L
- 32mm waste outlet
- 620 x 480mm

Provided		
Item	Description	Code
Sink	Large Utility Sink	C5241
Plug & Waste	32/40mm Overflow-Plastic	PW1



NOTE:
 BASIN TO BE SEALED TO COUNTER TOP
 USING ACETIC CURE SILICONE SEALANT
 DO NOT USE EPOXY ADHESIVES