

**MT** MONOPOLY™  
T A P W A R E

# CISTERN STOP MODULAR QUARTER TURN CERAMIC DISC

## BVCIST

### Specifications

- Working temperature 0°C to 80°C
- Maximum pressure rating 1000kPa

### Features

- Tested and manufactured to AS3718
- Watermark approved
- Intergrated non return valve designed to assist in the elimination of water hammer
- Fashionable metal handle
- Simplicity of operation
- Revolutionary ceramic disc design
- Australian patent number 2003213322
- Supplied with red & blue indicator buttons
- Available in Chrome, Matt Black and Rose Gold



Austworld  
PO Box 311  
Ashmore City  
QLD 4214

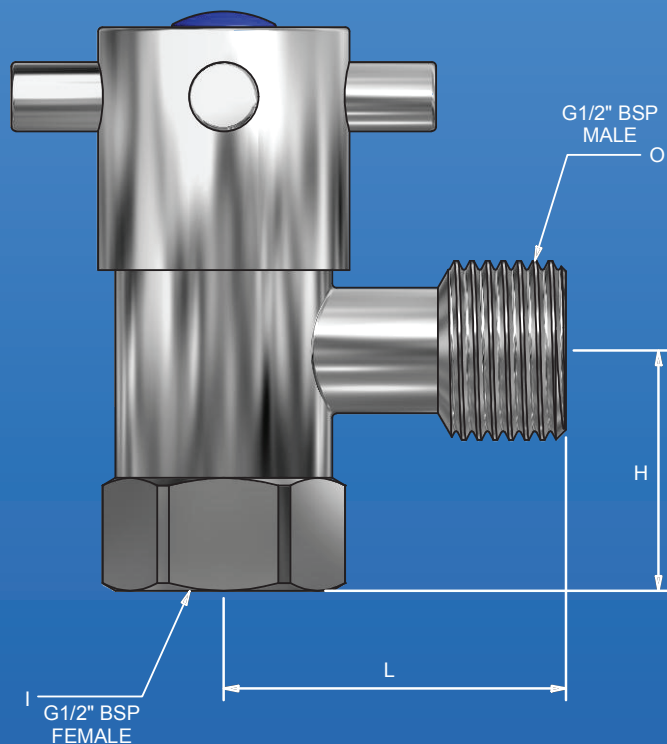
P: 1300 780 430  
F: 1300 780 441  
E: [info@austworld.com.au](mailto:info@austworld.com.au)  
W: [www.austworld.com.au](http://www.austworld.com.au)



DISCLAIMER: AS PART OF AUSTWORLD COMMITMENT TO QUALITY PRODUCTS, AUSTWORLD RESERVES THE RIGHT TO ALTER THE DESIGN OR SPECIFICATION OF ITS PRODUCT WITHOUT NOTICE. THE PRODUCT IMAGES SHOWN ARE FOR ILLUSTRATION PURPOSES ONLY AND MAY NOT BE AN EXACT REPRESENTATION OF THE PRODUCT

Ver 1.0

## CISTERN STOP MODULAR QUARTER TURN CERAMIC DISC



### Sizing Chart MM

	L	H	I	O
BVCIST	40	28	G 1/2"	G 1/2"

### Material Chart

Part	Material
Body	DR Brass
Cartridge	DR Brass
Sure Clip	Stainless Steel
Check Valve	POM
Handle	Zinc
Handle Screw	Stainless Steel
Button	POM