

# TROJAN COMPACT



- 1621396 TROJAN
- 400W X 220D X 840H
- 1TH ACRYLIC REVERSIBLE TOP SO TAP HOLE CAN BE LEFT OR RIGHT HAND POSITION
- 1 DOOR SOFT CLOSE
- FULL GLOSS
- CHROME HANDLE



SLIMLINE  
TOP

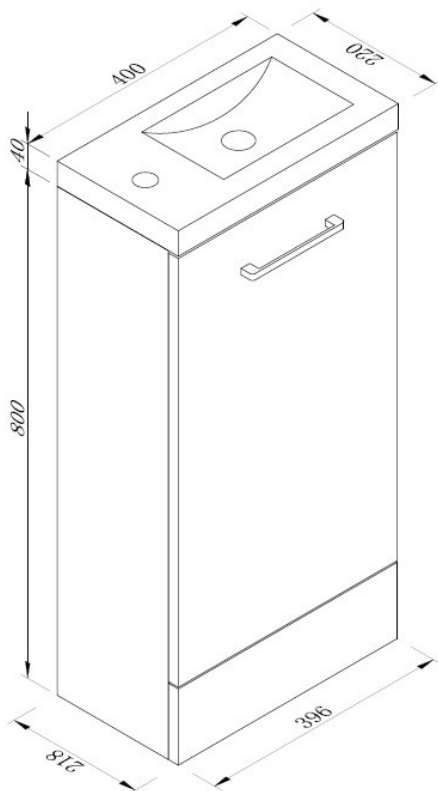


ADJUSTABLE  
SHELF



- TAPWARE & WASTE EXTRA
- ALLOW FOR +/- VARIATIONS TO MEASUREMENTS

# TROJAN COMPACT



1621396 TROJAN

Disclaimer: Products in this specification manual must by regulation be installed by licensed and registered trade people. The manufacturer/distributor reserves the right to vary specifications or delete models from their range without prior notification. Dimensions and set-outs listed are correct at time of publication however the manufacturer/distributor takes no responsibility for printing errors.

Have actual item onsite before commencing any works  
Allow +/- variations to the measurements listed here