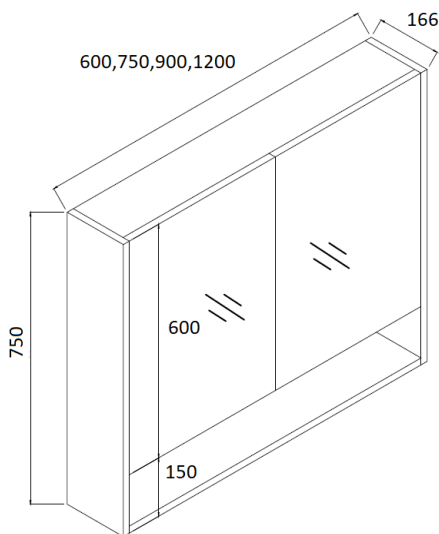


# STORA

## SHAVING CABINET

2 DOOR  
1635111 600MM WIDE  
1635112 750MM WIDE  
1635113 900MM WIDE

3 DOOR  
1635114 1200MM WIDE



- 2 FIXED GLOSS SHELVES
- COMPLETE WITH UNDERSHELF
- PENCIL EDGE MIRRORS
- SOLID BACKBOARD FOR EASY INSTALLATION

- GLOSS WHITE
- PUSH TO SPRING OPEN DOORS
- PUSH TO CLOSE DOORS
- 4 WIDTHS TO CHOOSE FROM