

LAUNDRY



WASHING MACHINE HOSE /
MIXER TAP HOLES IN REAR
CORNERS



413115 PERTH INSET BOWL

418661 LUNA INSET LAUNDRY TROUGH
45 LITRE CAPACITY

COMES WITH TWO BYPASS / TAP HOLES & BYPASS KIT



1618671 PATRA

MINI COMPACT 35 LITRE CAPACITY

STAINLESS STEEL BOWL WITH WHITE METAL CABINET
TWO BYPASS HOLES IN BOWL / TAP HOLES & BYPASS KIT
DUAL HOSE ENTRY POINTS ON EACH SIDE OF CABINET
TO ENABLE DISCRETE HOSE ENTRY



1607259 HANDO

GENEROUS 45 LITRE CAPACITY

STAINLESS STEEL BOWL WITH WHITE METAL CABINET
TWO BYPASS HOLES IN BOWL / TAP HOLES & BYPASS KIT
DUAL HOSE ENTRY POINTS ON EACH SIDE OF CABINET TO ENABLE
DISCRETE HOSE ENTRY

*TAPWARE NOT INCLUDED

DUAL WASHING MACHINE
HOSE INLET HOLES IN BOTH
SIDES OF THE CABINET

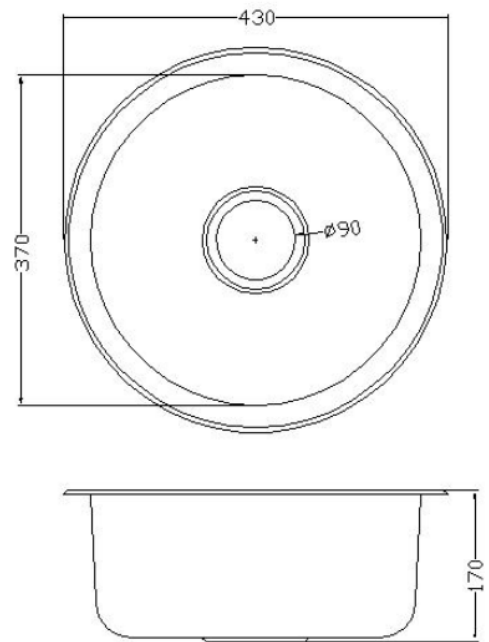
- SS304 STAINLESS STEEL BOWLS
- BASKET WASTE INCLUDED

- TROUGHS HAVE A REVERSABLE BYPASS IN SS BOWL, FOR WASHING MACHINE HOSE OR MIXER TAP & A CHROME COVER CAP IF NEEDED
- USE ACTUAL SINK FOR CUT OUT

LAUNDRY

Due to supply issues with Luna Inset Trough, take measurements from the trough instock at your nearest store.

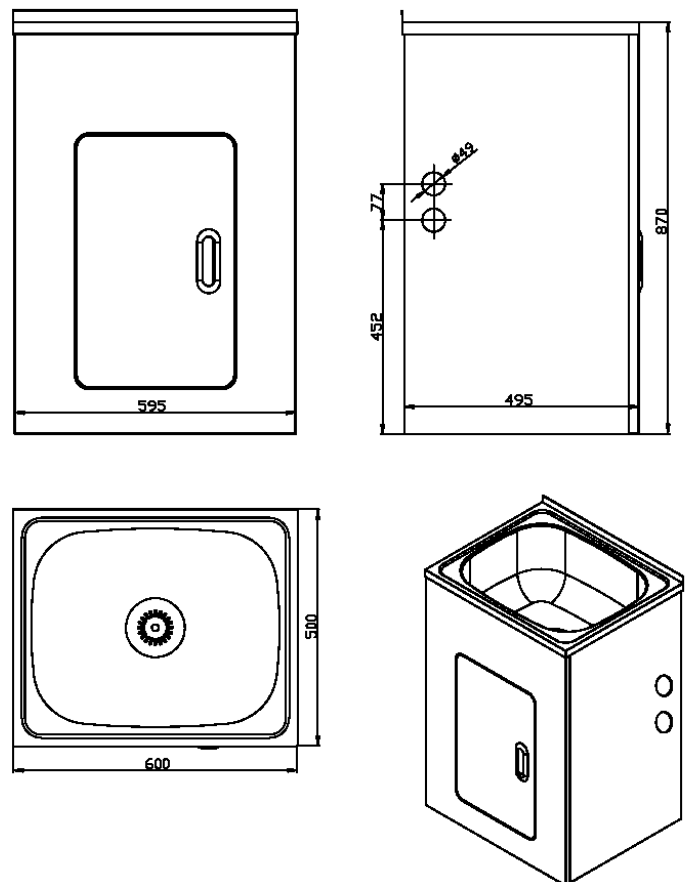
418661 LUNA INSET LAUNDRY TROUGH



413115 PERTH INSET BOWL



1618671 PATRA



1607259 HANDO