

# BLACK HAND SHOWERS



1.



2.

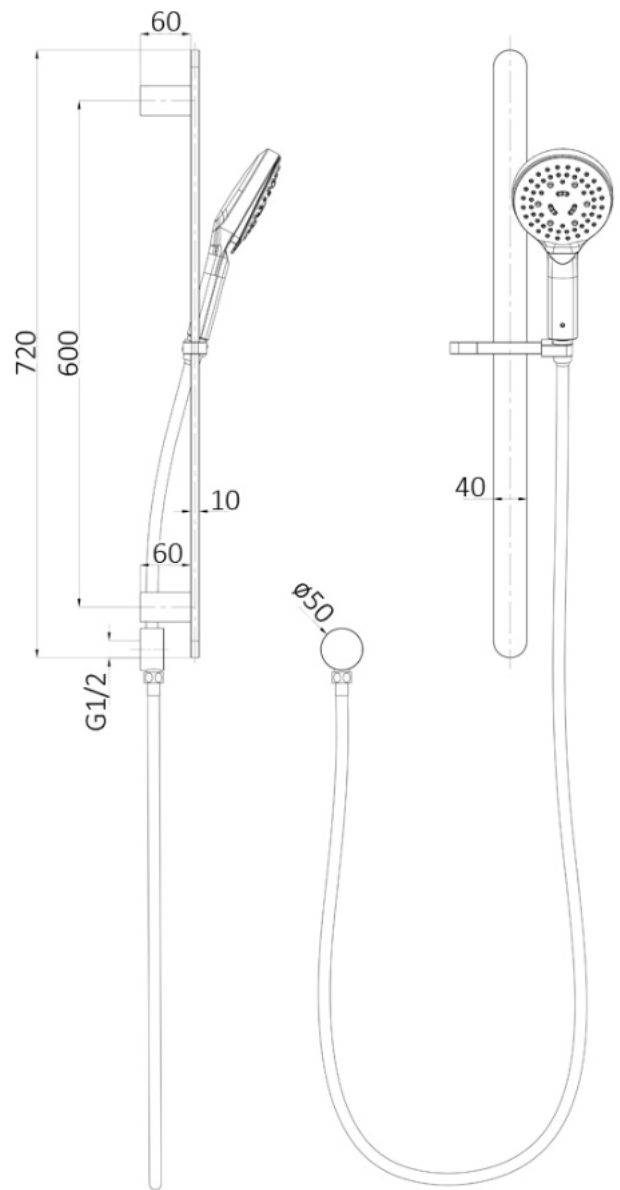
1. BOURKE 1632037  
3 SPRAY PATTERN  
PUSH BUTTON HANDPIECE CONTROL  
SQUARE SLIMLINE DESIGN RAIL  
600MM BRACKET TO BRACKET  
740MM RAIL LENGTH  
4 STAR 6.5LPM

2. VECTOR MK2 1632039  
3 SPRAY PATTERN  
PUSH BUTTON HANDPIECE CONTROL  
SQUARE DESIGN  
4 STAR 6.5LPM

# BLACK SHOWER RANGE



3.

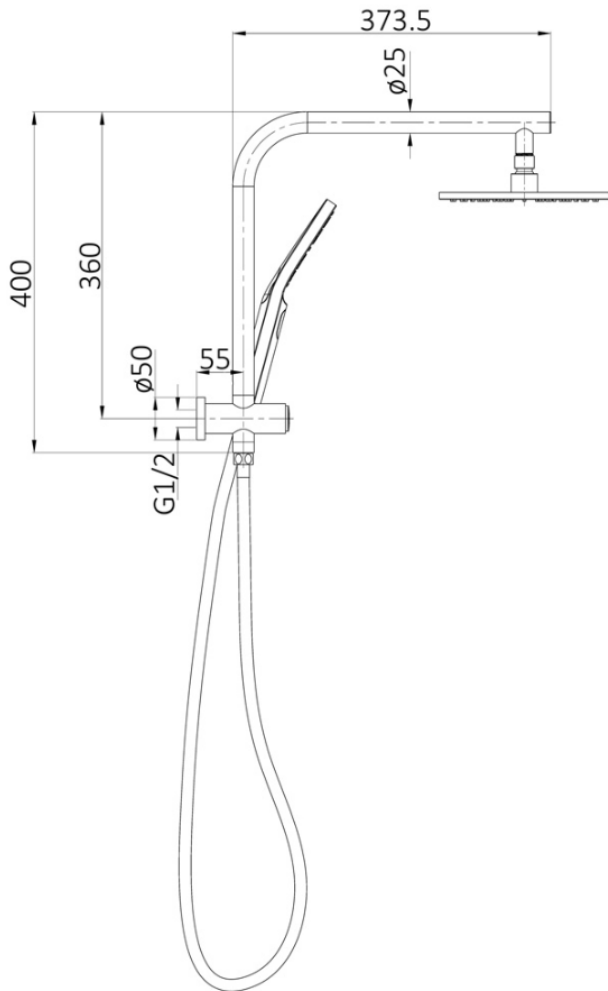


3. KARA 1636853 BLACK  
6 SPRAY PATTERN  
PUSH BUTTON HANDPIECE CONTROL  
WIDE SOLID DESIGN RAIL  
1.5M PVC HOSE  
4 STAR 7.5LPM

Disclaimer: Products in this specification manual must by regulation be installed by licensed and registered trade people. The manufacturer/distributor reserves the right to vary specifications or delete models from their range without prior notification. Dimensions and set-outs listed are correct at time of publication however the manufacturer/distributor takes no responsibility for printing errors. Have actual item onsite before commencing any works Allow +/- variations to the measurements listed here



# BLACK SHOWER RANGE



Push Button Divertor

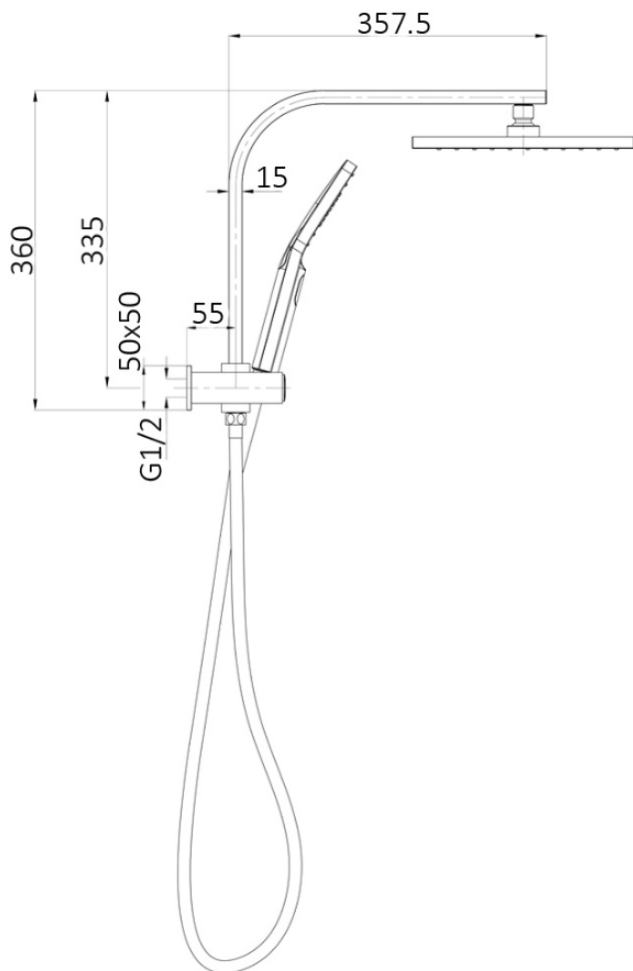
4.

- 4. REGAL 1636849 BLACK
- ROUND TWIN SHOWERS
- ABS HEADS / BRASS ARM
- 250MM HEAD
- 3 FUNCTION PRESS BUTTON HANDPIECE
- PUSH BUTTON DIVERTOR
- BRASS SLIDER / PVC HOSE
- 3 STAR 8.5LPM

Disclaimer: Products in this specification manual must by regulation be installed by licensed and registered trade people. The manufacturer/distributor reserves the right to vary specifications or delete models from their range without prior notification. Dimensions and set-outs listed are correct at time of publication however the manufacturer/distributor takes no responsibility for printing errors. Have actual item onsite before commencing any works. Allow +/- variations to the measurements listed here.



# BLACK SHOWER RANGE



5.

- 5. SANDO 1636851 BLACK
- SQUARE TWIN SHOWERS
- ABS HEADS / BRASS ARM
- 250MM X 250MM HEAD
- 3 FUNCTION PRESS BUTTON HANDPIECE
- PUSH BUTTON DIVERTOR
- BRASS SLIDER / PVC HOSE
- 3 STAR 8.5LPM

Disclaimer: Products in this specification manual must by regulation be installed by licensed and registered trade people. The manufacturer/distributor reserves the right to vary specifications or delete models from their range without prior notification. Dimensions and set-outs listed are correct at time of publication however the manufacturer/distributor takes no responsibility for printing errors. Have actual item onsite before commencing any works. Allow +/- variations to the measurements listed here.



---

# BLACK SHOWER RANGE



6.

---

6. NAPIER MK2 1632038  
3 SPRAY PATTERN  
ROUND DESIGN  
CONCEALED ELBOW BRACKET  
4 STAR 5.5LPM



7.

---

7. DIXIE MK2 1632036  
3 SPRAY PATTERN  
SUPA SLIMLINE RAIL  
ROUND DESIGN  
770MM BRACKET TO BRACKET  
800MM RAIL LENGTH  
4 STAR 6.5LPM

# BLACK SHOWER RANGE



8.

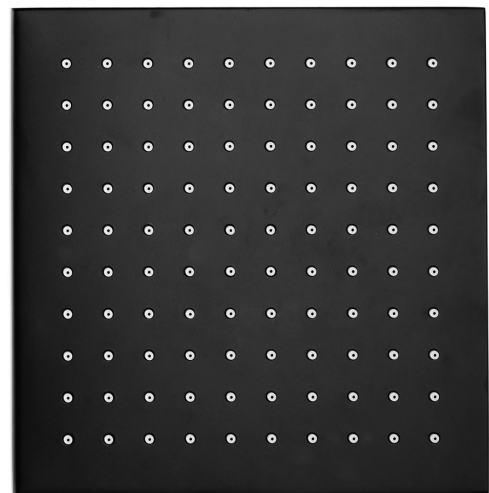
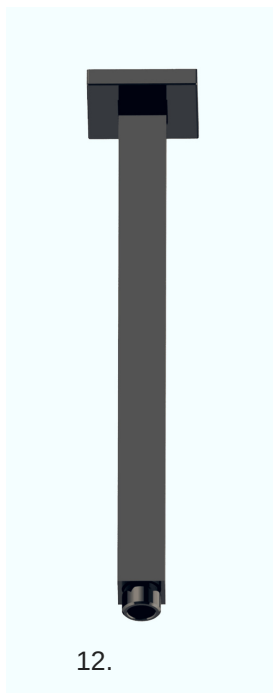
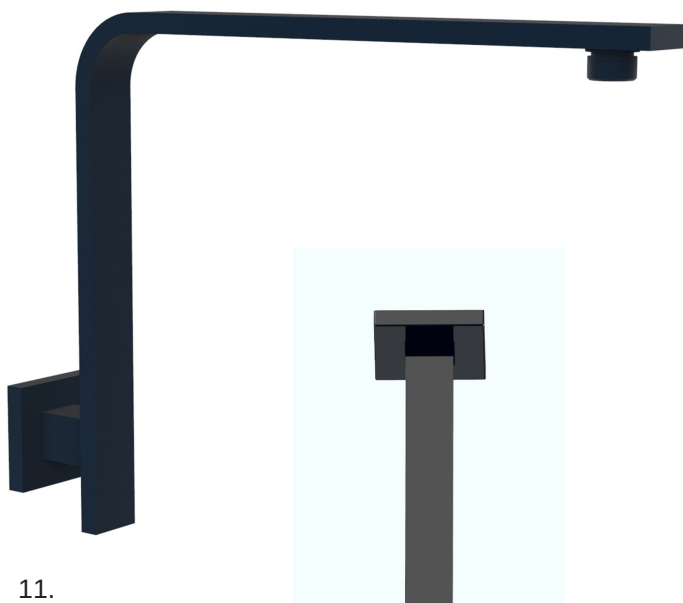
8. ELGIN 1630829  
3 SPRAY PATTERN  
ROUND DESIGN  
WATER INLET IS IN TOP PILLAR  
ELECTROPLATE MATTE BLACK  
3 STAR 6LPM



9.

9. ELGIN 1630832  
2 IN 1 SHOWER COMBO  
3 SPRAY PATTERN  
250MM BRASS OVERHEAD ROSE  
ROUND DESIGN  
CONCEALED WATER INLET  
ELECTROPLATE MATTE BLACK  
3 STAR 9LPM

# BLACK SHOWER RANGE



13.

10. VISION 1625172  
SQUARE WALL SHOWER ARM  
400MM LONG  
MATTE BLACK

11. CRISP 1625173  
CURVED FLAT SHOWER ARM  
230MM HIGH OVERLALL  
360MM LONG OVERALL  
MATTE BLACK

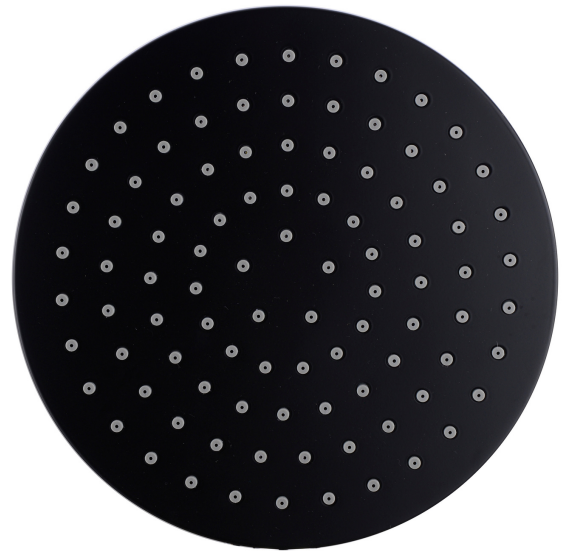
12. CASTLE 1625171  
CEILING MOUNTED SHOWER ARM  
300MMLONG OVERALL  
MATTE BLACK

13. BLUSH 1625170  
BRASS SQUARE SHOWER  
HEAD  
200MM X 200MM X 8MM  
MATTE BLACK  
3 STAR 9LPM

# BLACK SHOWER RANGE



14.



15.

14. ELGIN 1630827  
ROUND FIXED WALL SHOWER ARM  
316MM OVERALL HEIGHT  
350MM WALL TO SHOWER ROSE THREAD  
MATTE BLACK

15. ELGIN 1630825  
250MM ROUND SHOWER HEAD  
8MM THICK  
MATTE BLACK  
3 STAR 9LPM