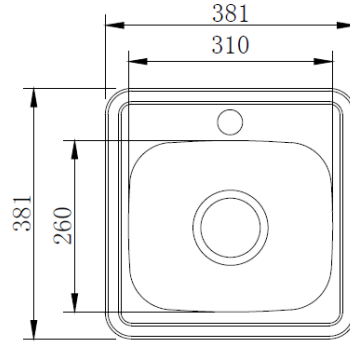
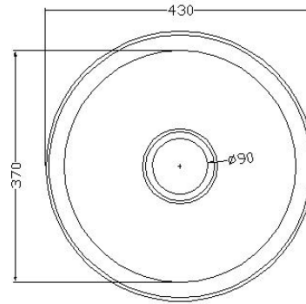


# COMPACT RANGE

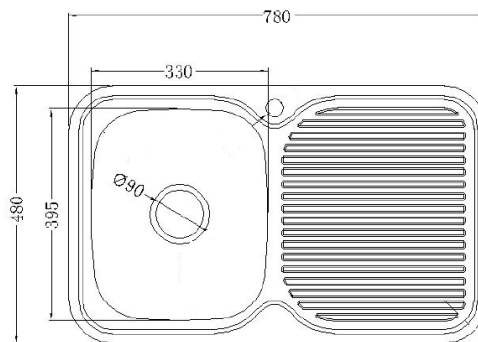


BERMA BAR SINK  
SINGLE BOWL 1 TAP HOLE  
381mmL x 381mmW x 160mm  
BOWL DEPTH  
.8mm Thickness



PERTH ROUND BOWL  
430mmW x 170mm BOWL  
DEPTH  
.8mm Thickness

ALL ARE 1 TAP HOLE



IVANHOE SINGLE BOWL  
LHB 413120 RHB 413121  
780mmL x 480mmW  
x 170mm BOWL DEPTH  
.8mm THICKNESS  
CAN BE LEFT BOWL  
OR RIGHT BOWL

- TOP MOUNT INSET SINKS
- SS304 QUALITY FINISH
- ALL WITH BASKET WASTES

- ALL ARE 1 TAP HOLE (EXC PERTH)
- USE ACTUAL SINK FOR CUT OUT

ALLOW +/- VARIATIONS TO MEASUREMENTS

