

Instructions

Model: SF Series

Size: SF-Front 760 to 840

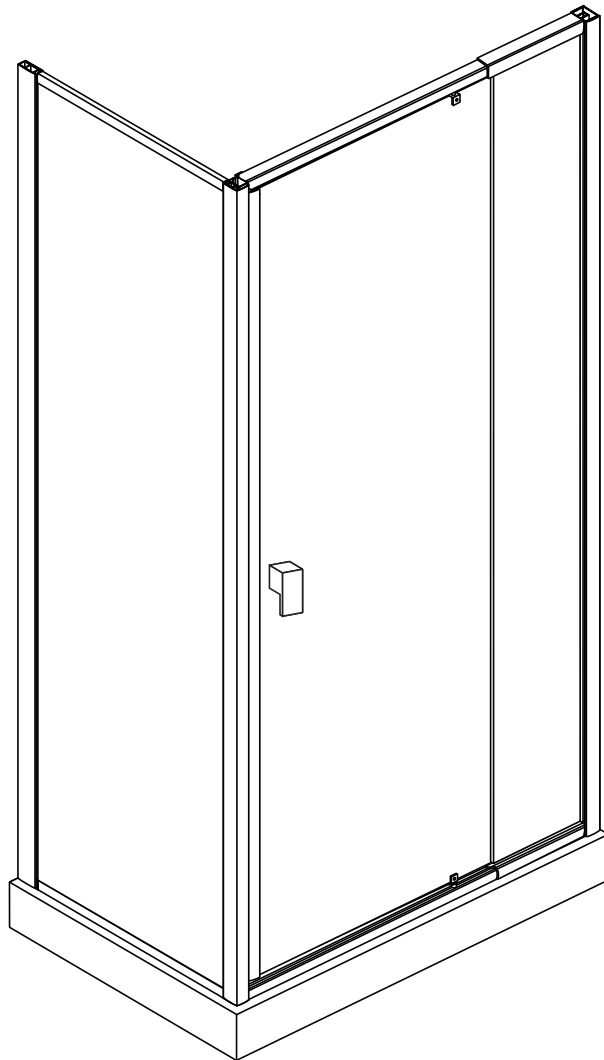
SF-Front 830 to 910

SF-Front 900 to 980

SF-Front 970 to 1050

SF-Front 1050 to 1130

SF-Front 1130 to 1210



◆ General Information

Please inspect the product immediately upon receipt for transit damage, missing packs/parts or manufacturing fault. Damage reported after installation will not be accepted. Please handle the product with care avoiding knocks and shock loading to all sides and edges of the glass

Notes: Safety glass can not be re-worked.

Please read these instructions carefully before start of installation.

Special care should be taken when drilling walls to avoid hidden pipes or electrical cables.

Note: This product is heavy and may require two people to install.

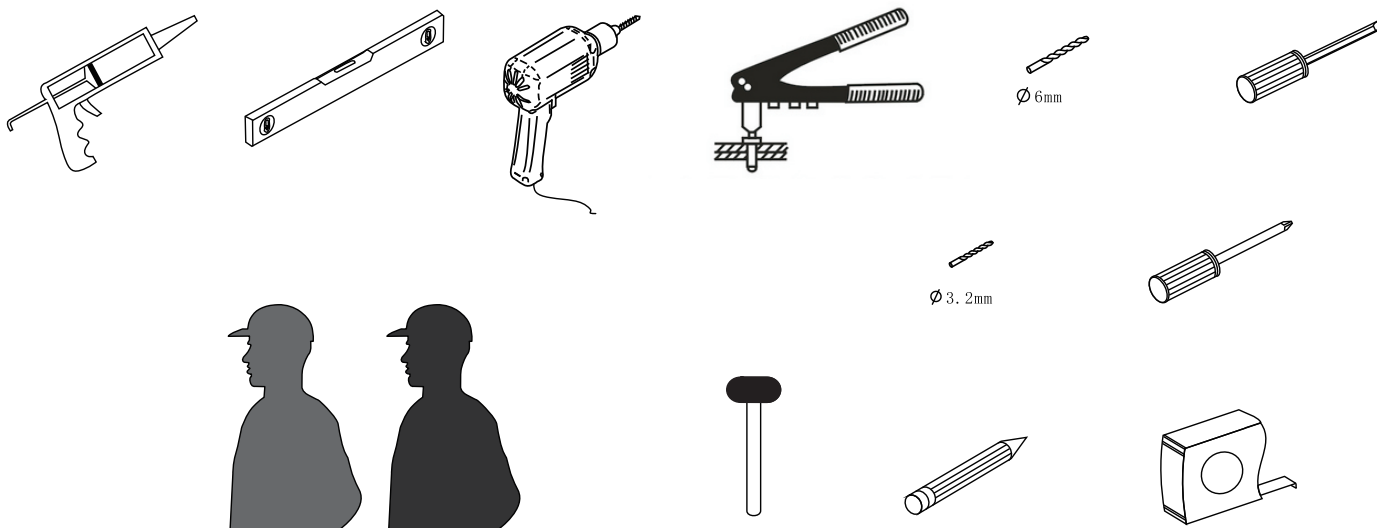
Aftercare instructions

After use, your shower should be cleaned with soap and water. This is particularly important in hard water districts where insoluble lime salts may be deposited and allowed to build up. Cleaners of a gritty or abrasive nature should not be used. Care should be taken to avoid contact with strong chemicals such as organic solvents and strippers.

Glass cleaners can be used but with caution, if in doubt contact the manufacturer of the cleaner in question.

Please keep these instructions for aftercare and customer service details.

Tools Required

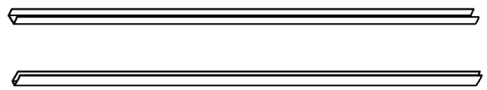
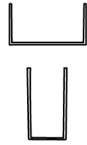


This product is heavy and may require two people to install.



◆ Box Contents:

[1] 2xwall Channels



[2] 1xCorner Channel

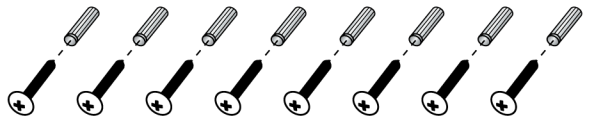


*** Remove and dispose of side / corner to install screen as Front Only.

[3] 1xInstallation
Instruction



[4] 8xWall plugs
8xScrews M4X35



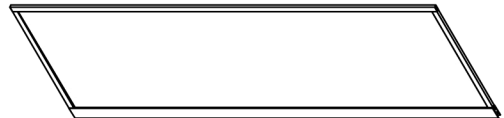
[5] 18xPoprivit



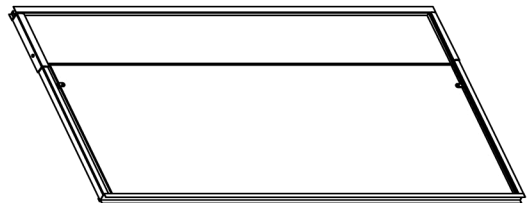
[6] 2xWater Seals



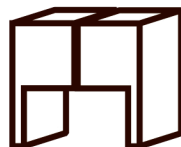
[7] 1xFixed Panel



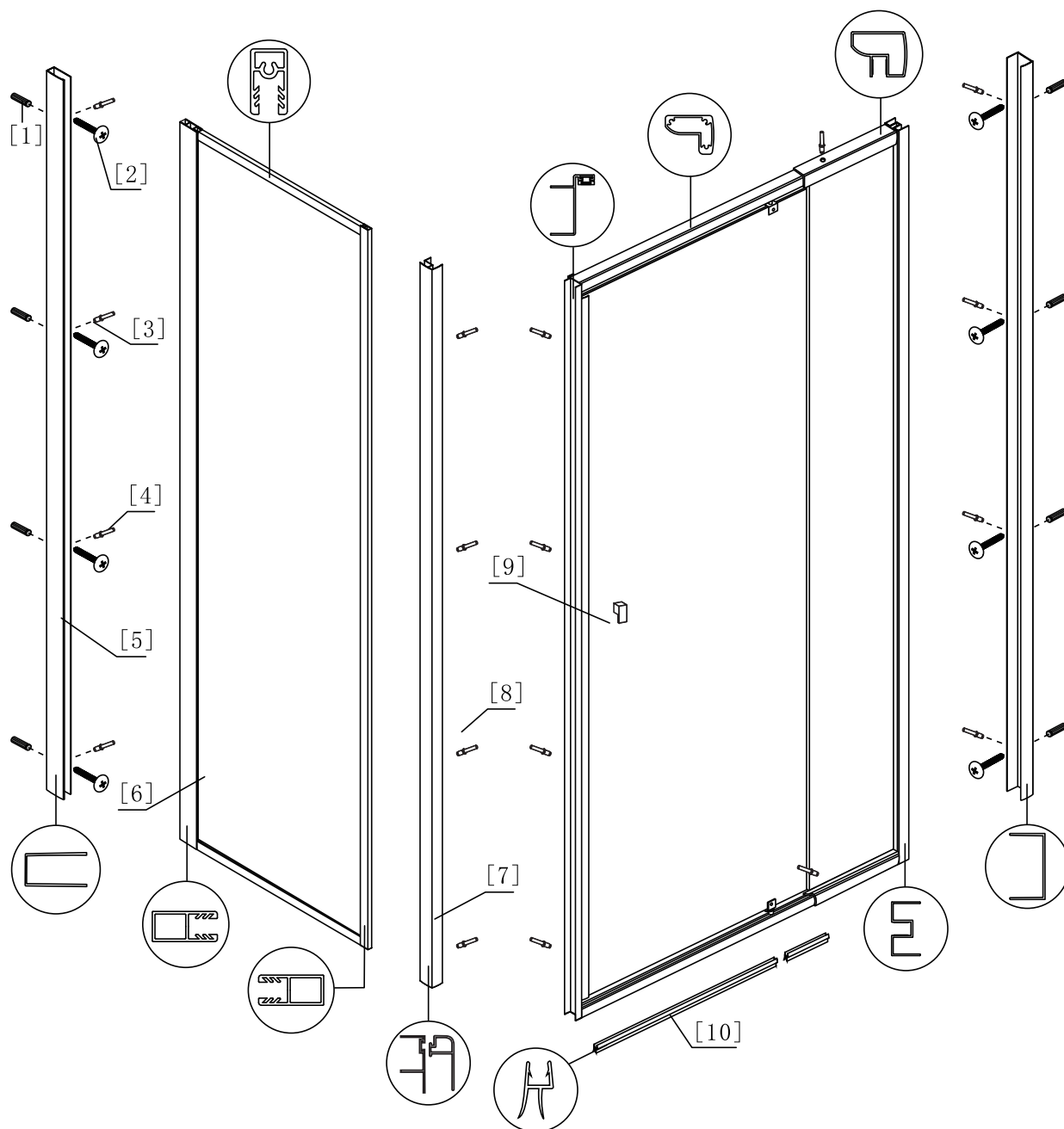
[8] 1xDoor Panel
1xFixed Panel



[9] 1xDoor Handle

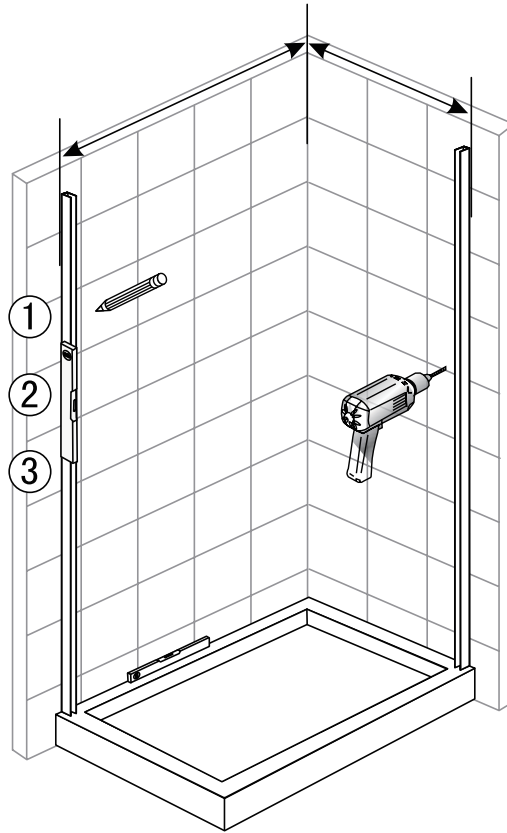
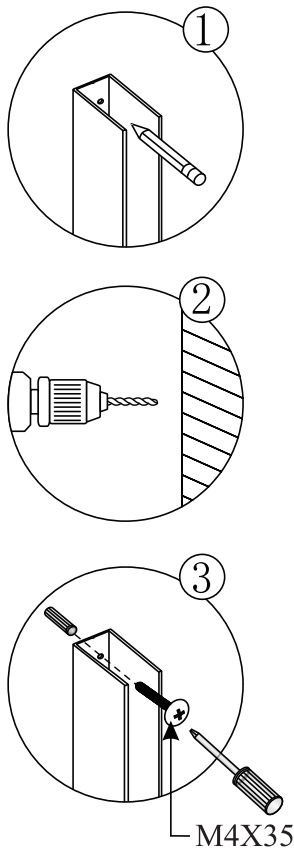


◆ Assembly Drawing

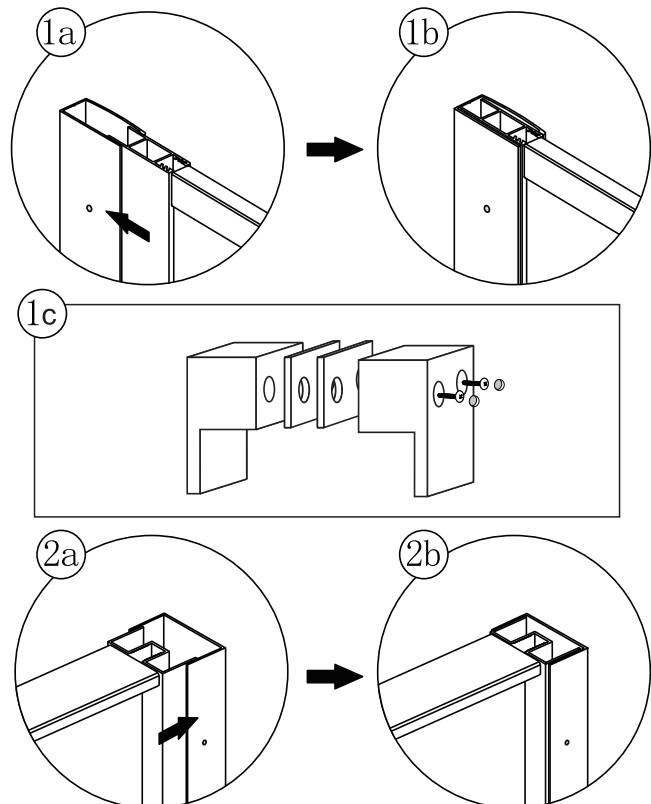
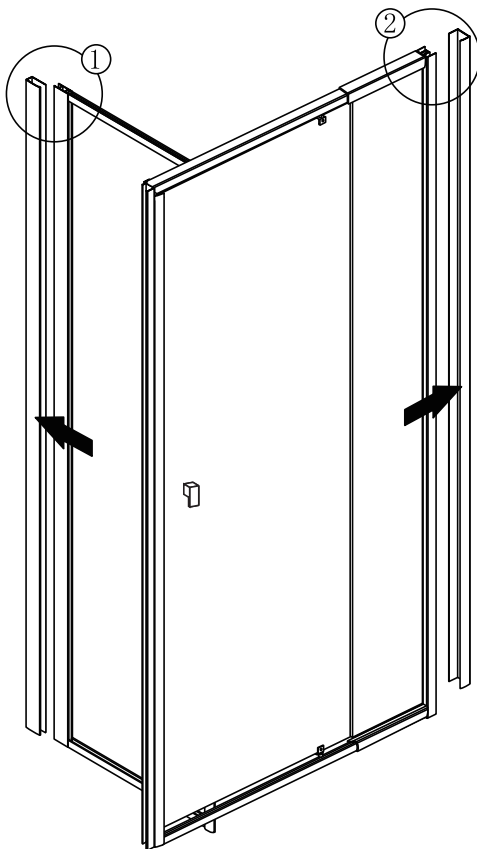


◆ Installation Steps

Step 1

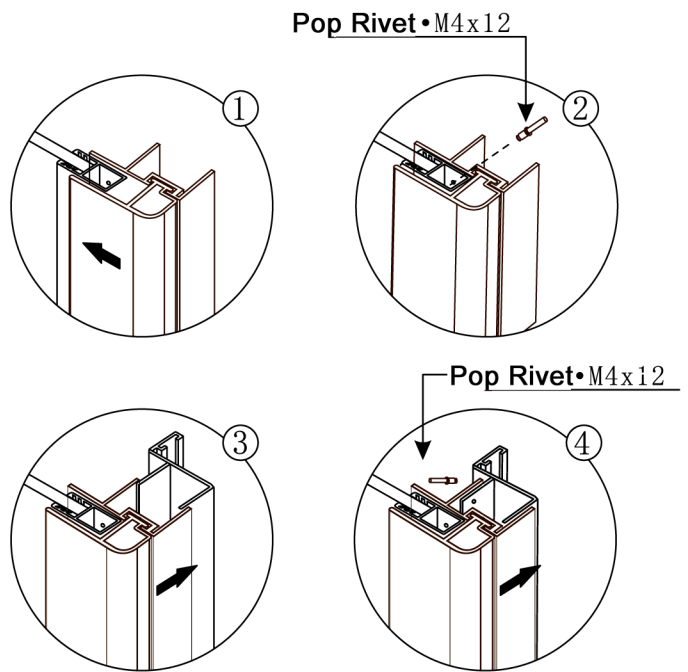
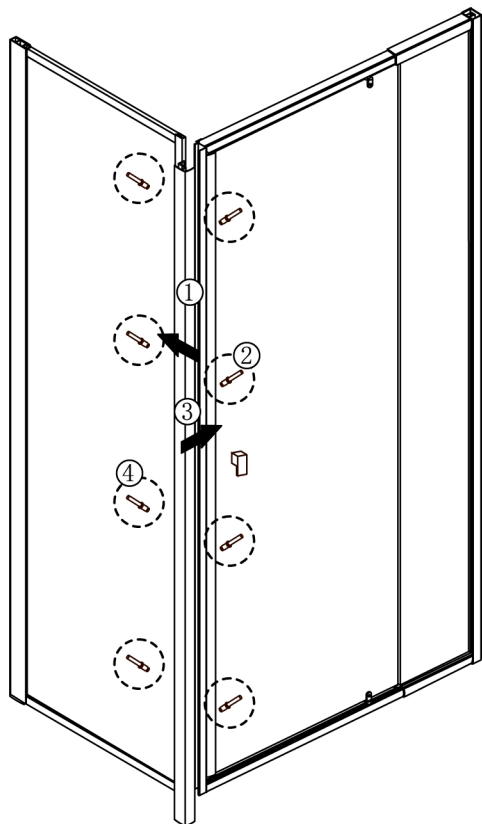


Step 2

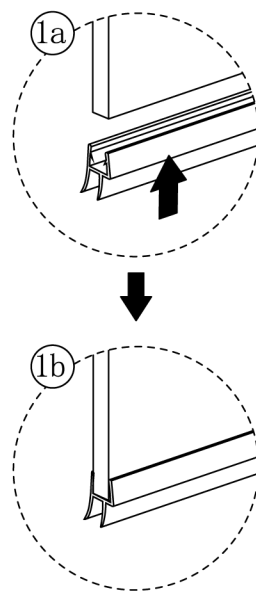
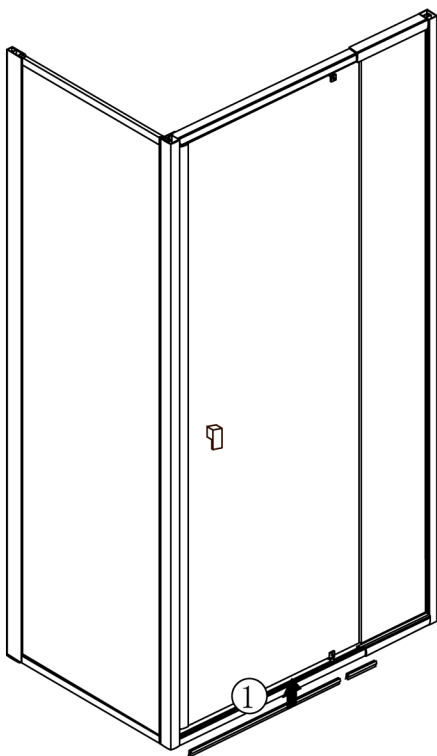


View from inside

Step 3

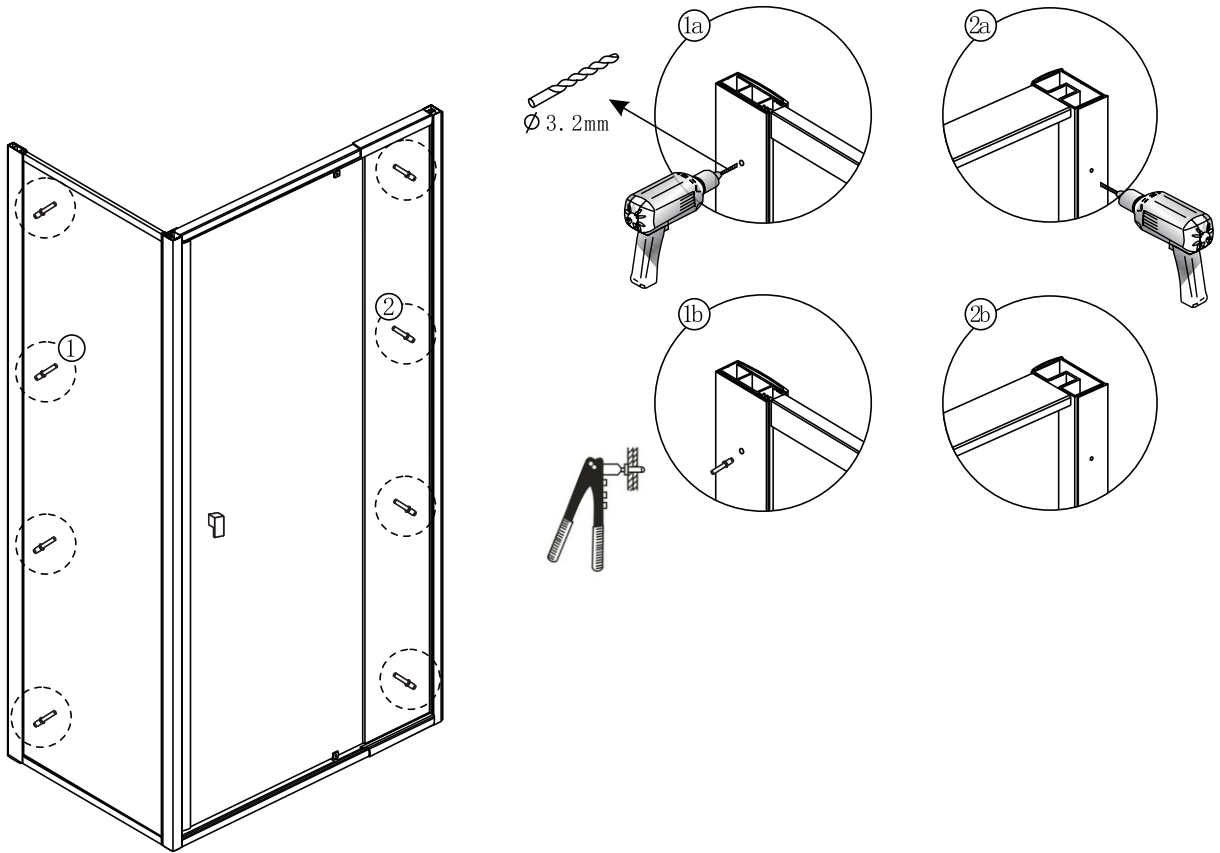


Step 4

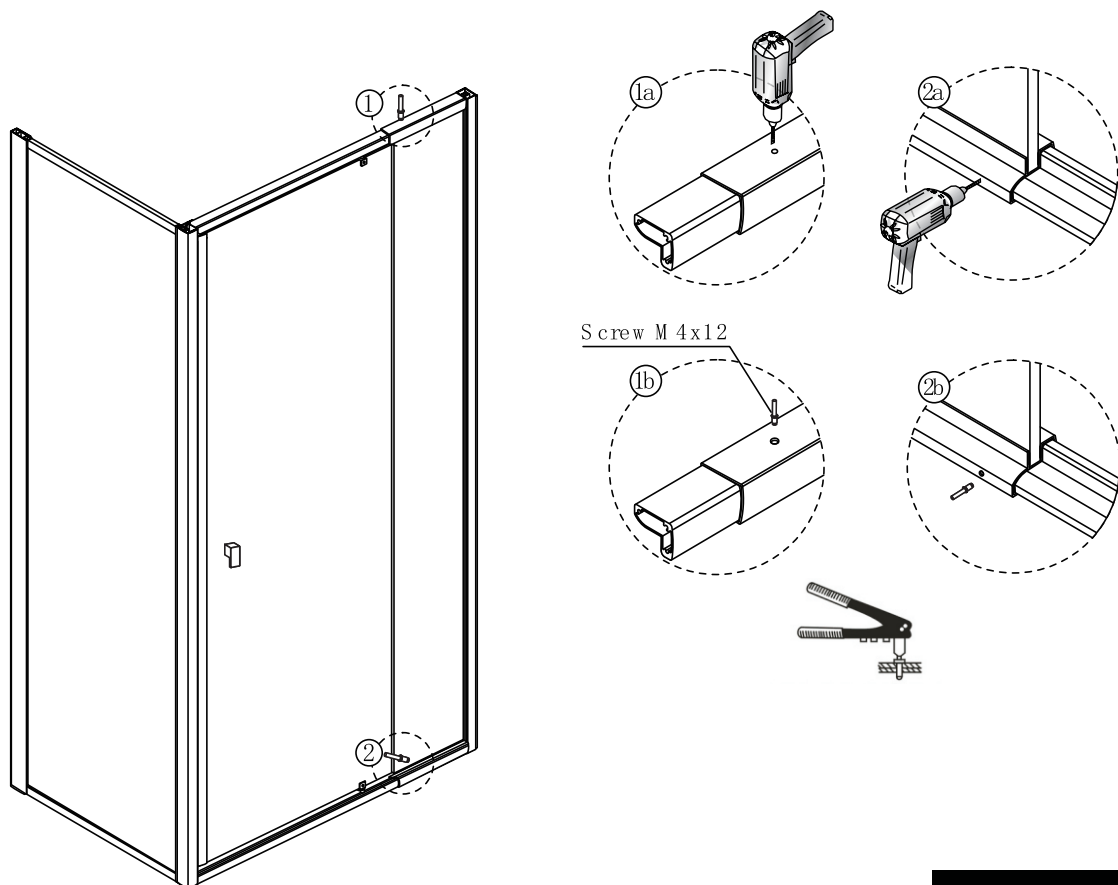


Ensure wall profiles are plumb. Adjust enclosure to be square and level. Wall channel and profile should be adjusted to square the door and ensure that door opens closes smoothly.

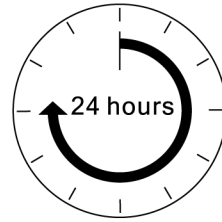
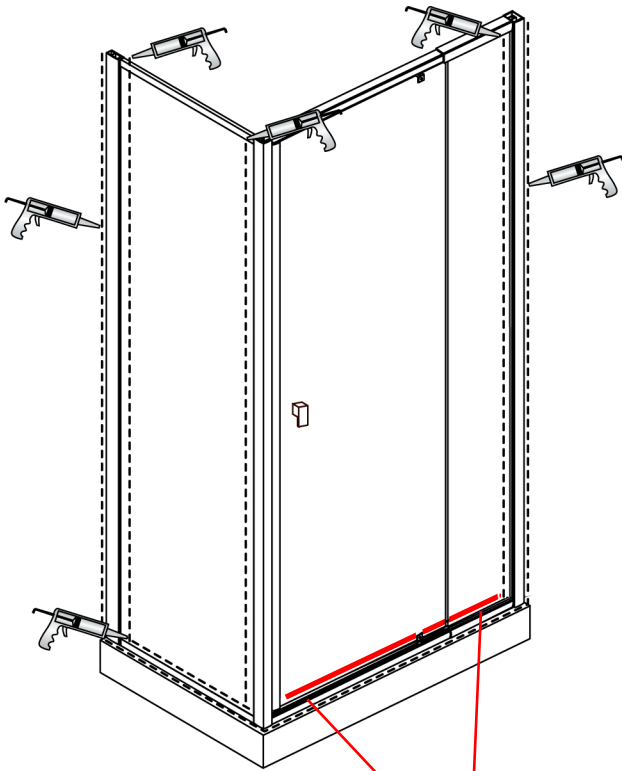
Step 5



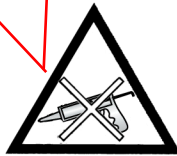
Step 6



Step 7



Allow 24 hours for silicone to dry before use.



Do NOT silicone lower inside edge to allow moisture and condensation to drain back into shower.