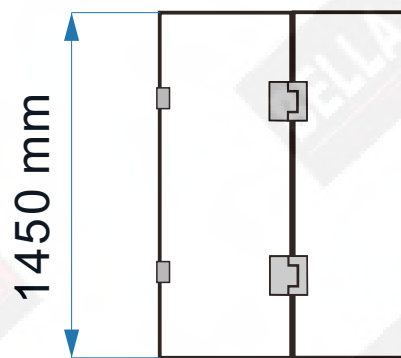
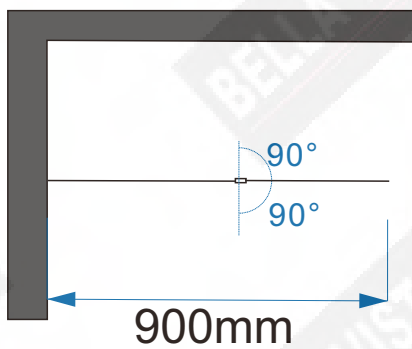


MODEL: BTH-900/1000-1450 (Bracket Option)

INSTALLATION GUIDE

SIZE: 900X1450MM
1000X1450MM



BELLA VISTA

◆ General Information

Please inspect the product immediately upon receipt for transit damage, missing packs/parts or manufacturing fault. Damage reported after installation will not be accepted. Please handle the product with care avoiding knocks and shock loading to all sides and edges of the glass.

Notes: Safety glass can not be re-worked.

Please read these instructions carefully before start of installation.

Special care should be taken when drilling walls to avoid hidden pipes or electrical cables.

Note: This product is heavy and may require two people to install.

Aftercare instructions

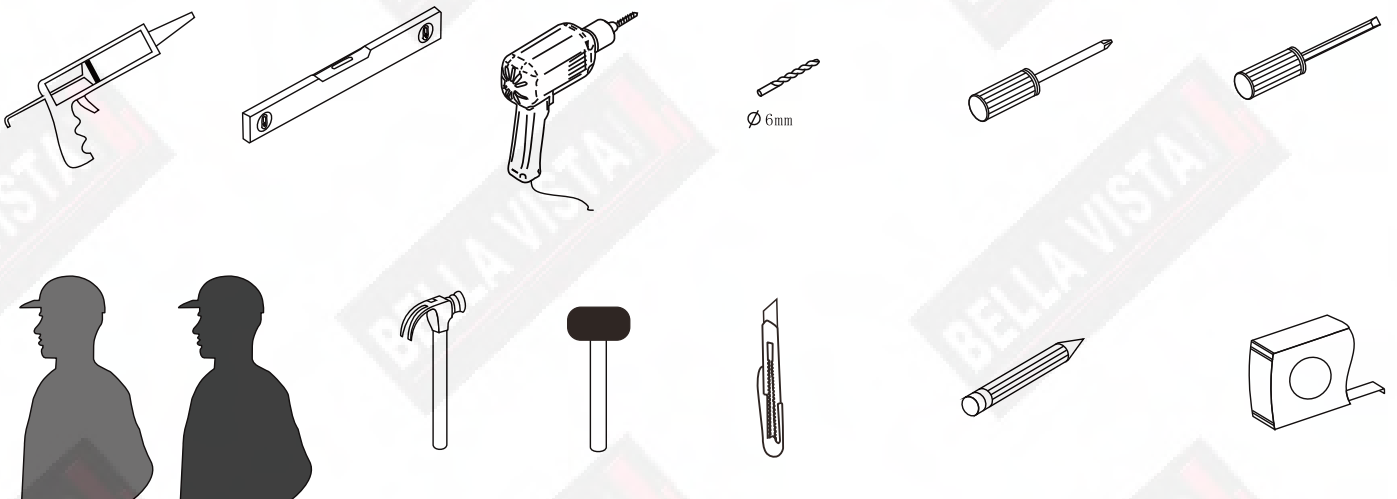
After use, your shower should be cleaned with soap and water. This is particularly important in hard water districts where insoluble lime salts may be deposited and allowed to build up.

Cleaners of a gritty or abrasive nature should not be used. Care should be taken to avoid contact with strong chemicals such as organic solvents and strippers.

Glass cleaners can be used but with caution, if in doubt contact the manufacturer of the cleaner in question.

Please keep these instructions for aftercare and customer service details.








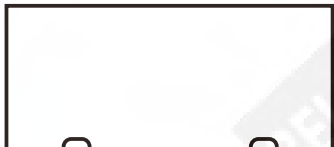

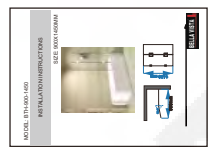
Tools Required



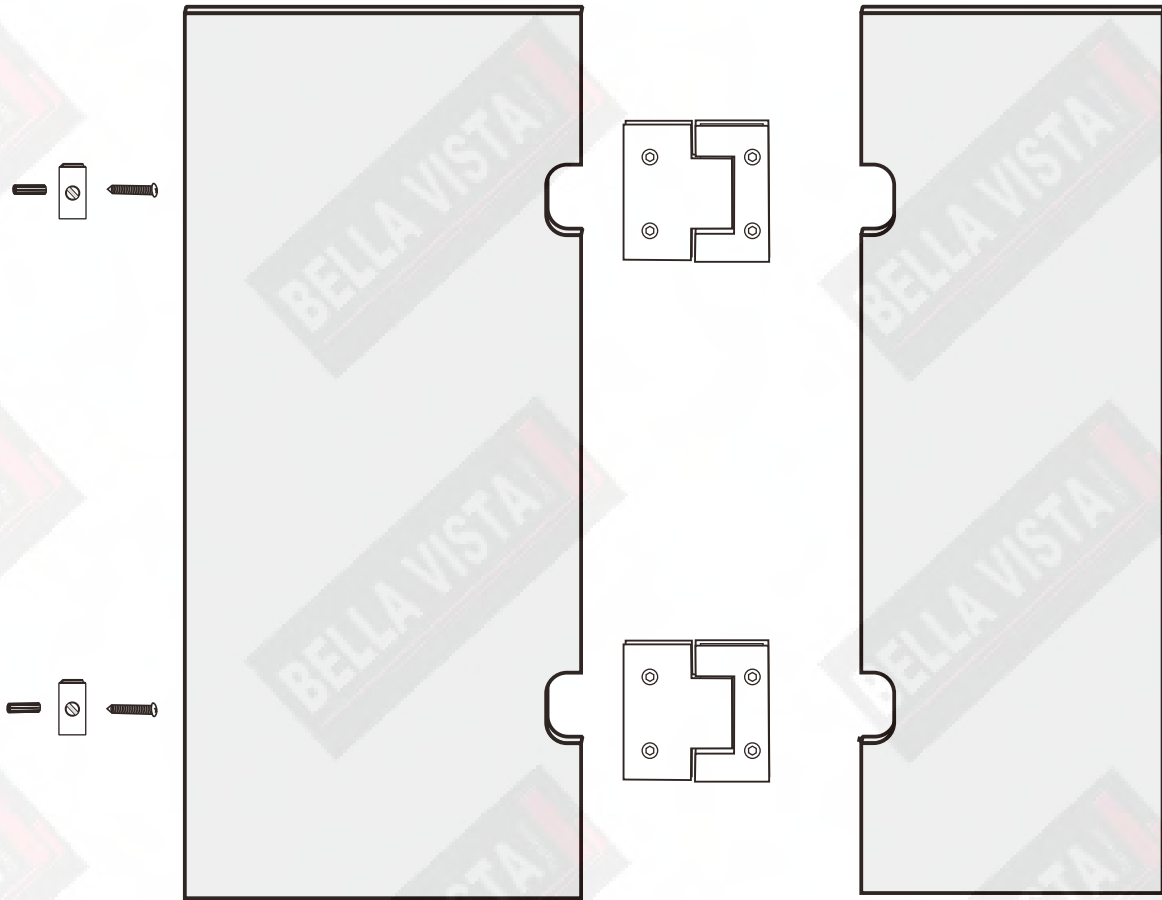
This product is heavy and may require two people to install.



Box contents

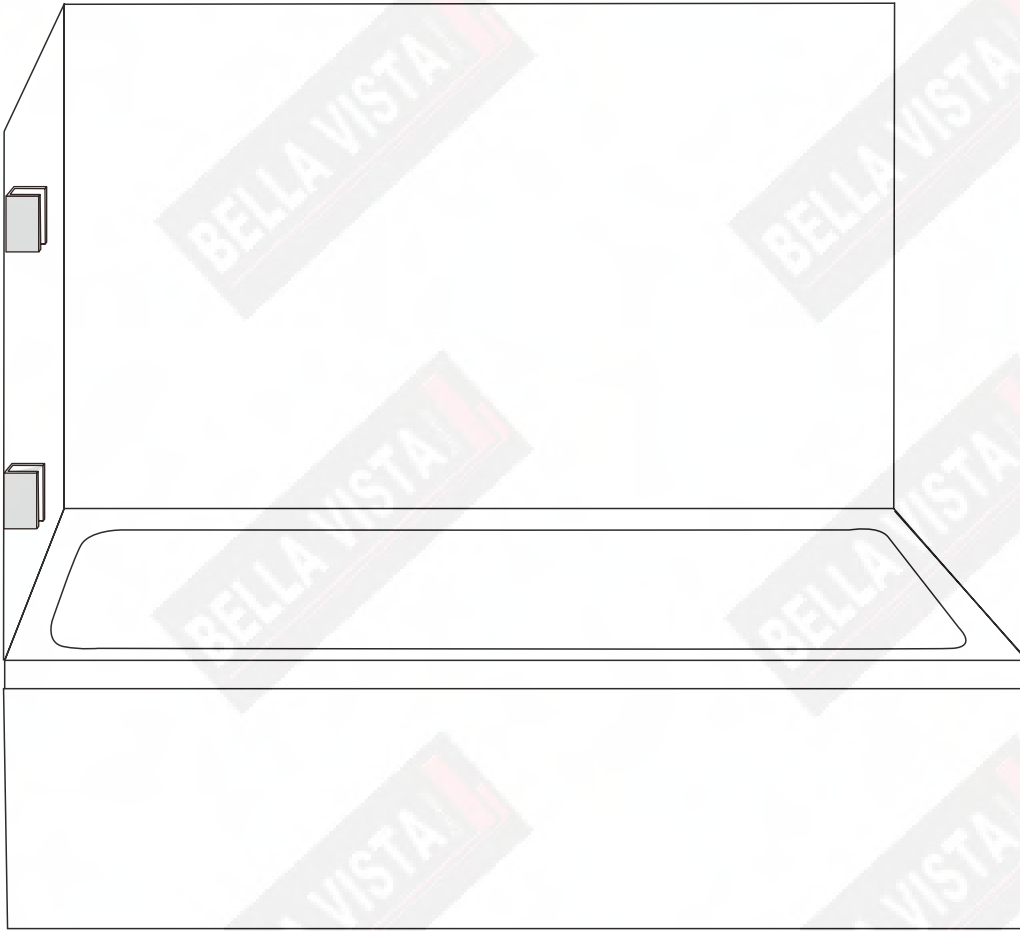
A1	Wall Plugs	x2		
A2	Screws M5X40	x2		
A3	Wall Brackets	x2		
B1	Bottom Door Seal	x1		Optional
C1	Middle Seal	x1		Optional
D1	Hinges	x2		
D2	Allen Key	x1		
E1	Fixed Pannel	x1		
E2	Door Pannel	x1		
	Installation Instructions	x1		

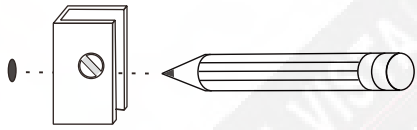
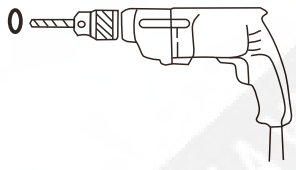
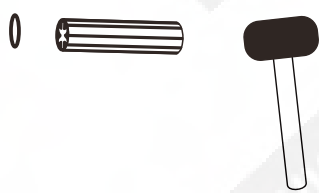
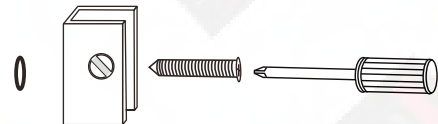
Assembly Information



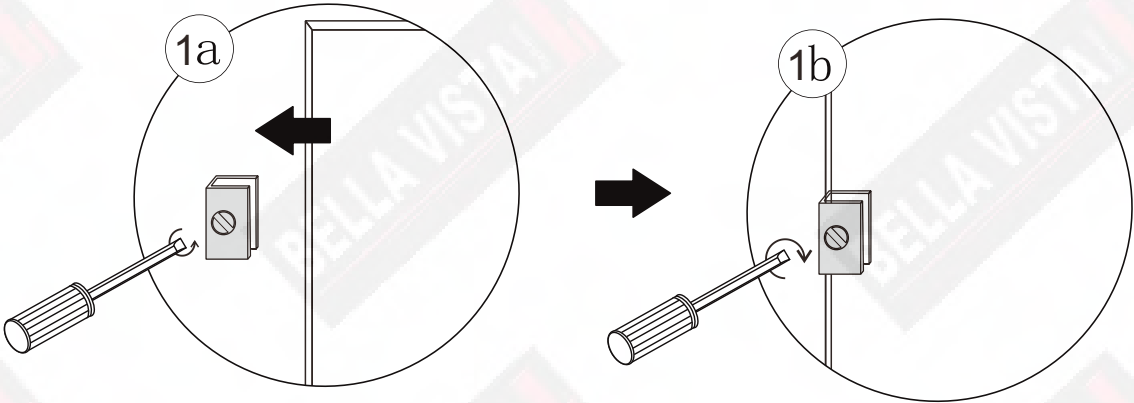
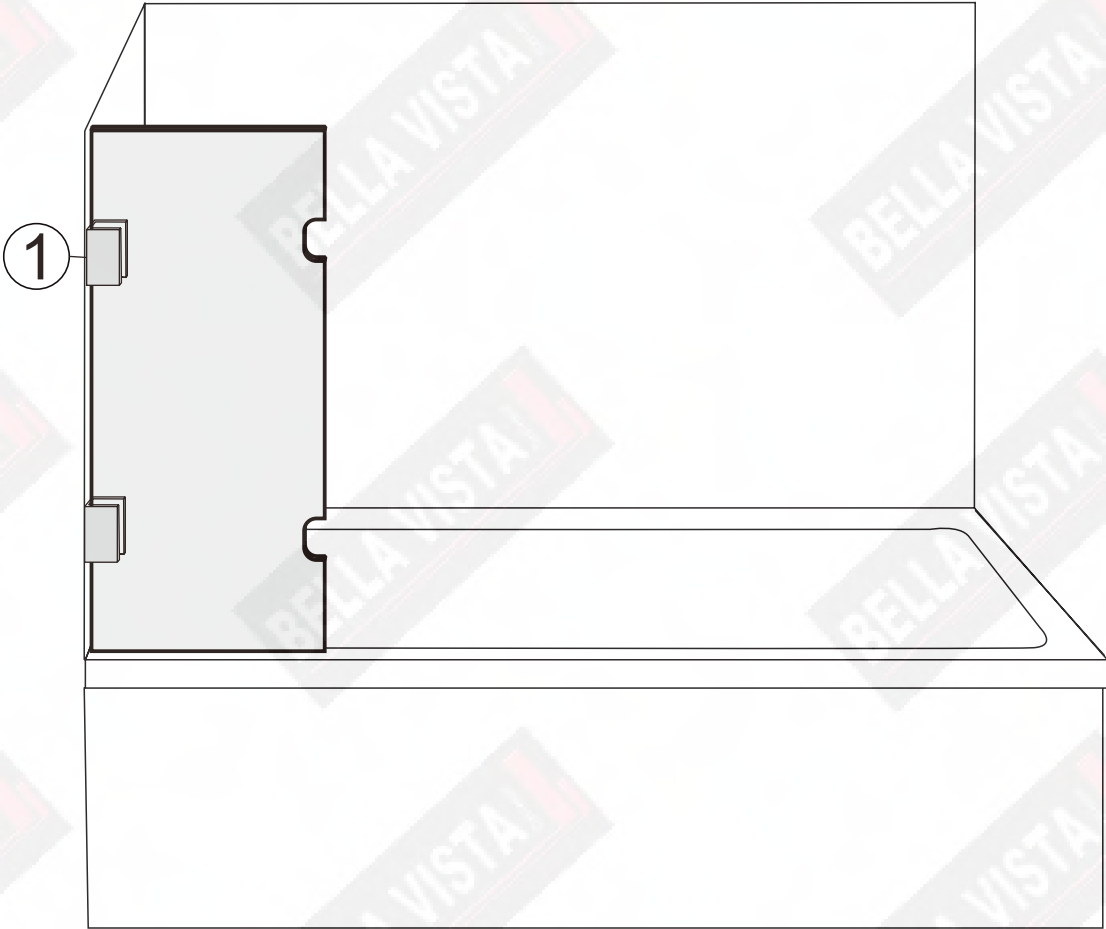
View from inside

Step 1



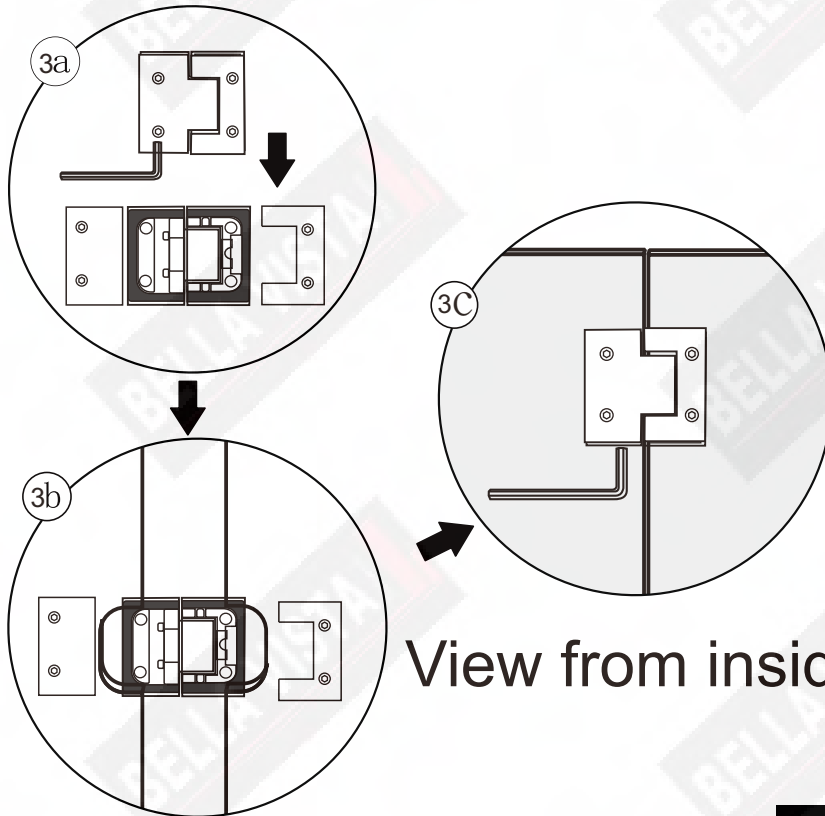
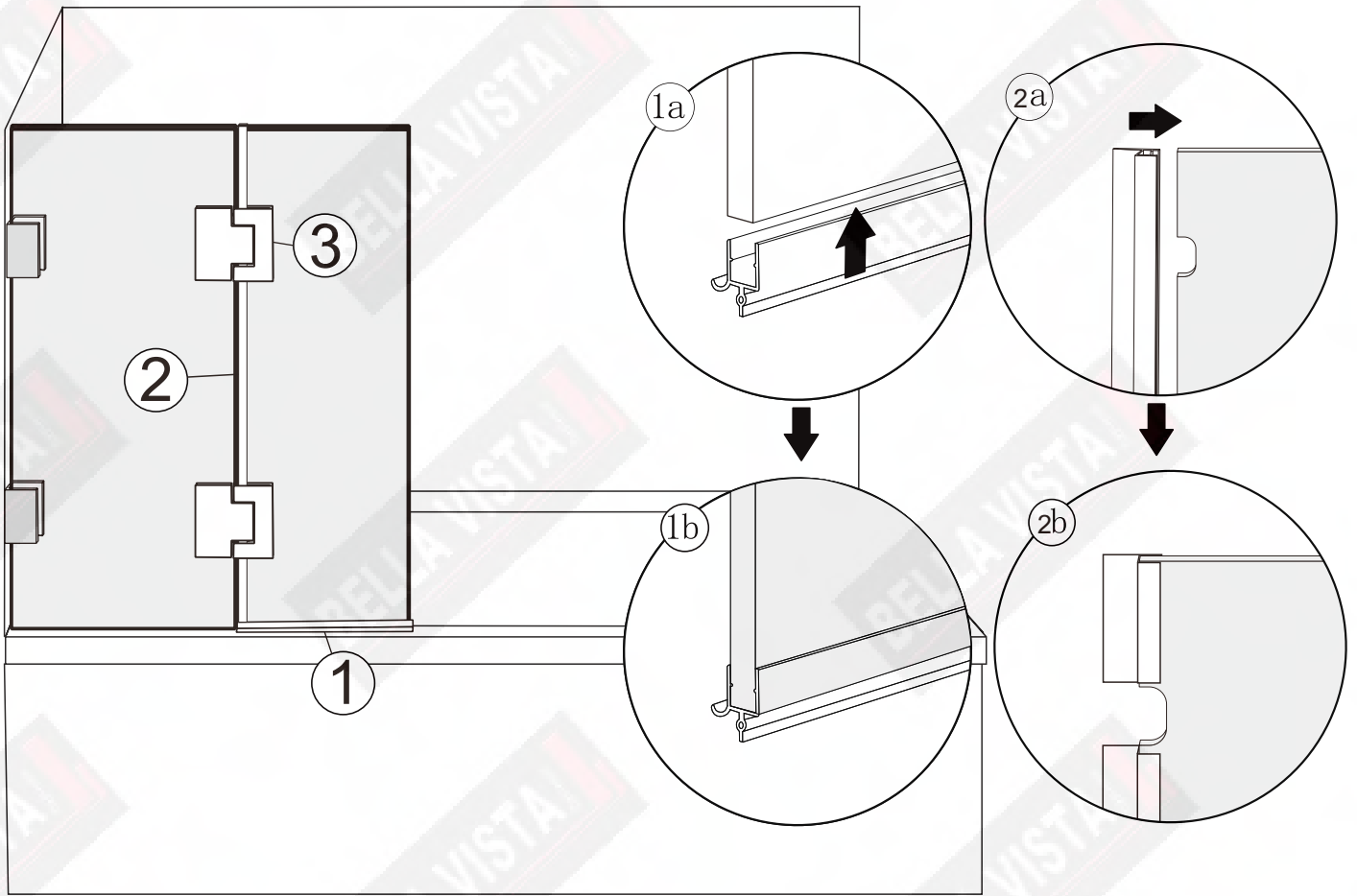
<p>1</p>  A pencil is shown marking a hole on a rectangular panel. A dashed line indicates the position of the hole.	<p>2</p>  A power drill with a drill bit is shown, indicating the next step in the process.
<p>3</p>  A screw and a rubber mallet are shown, indicating the next step in the process.	<p>4</p>  A screw is shown being inserted into a hole in a panel. A screwdriver is also shown next to it. <p>View from inside</p>

Step2



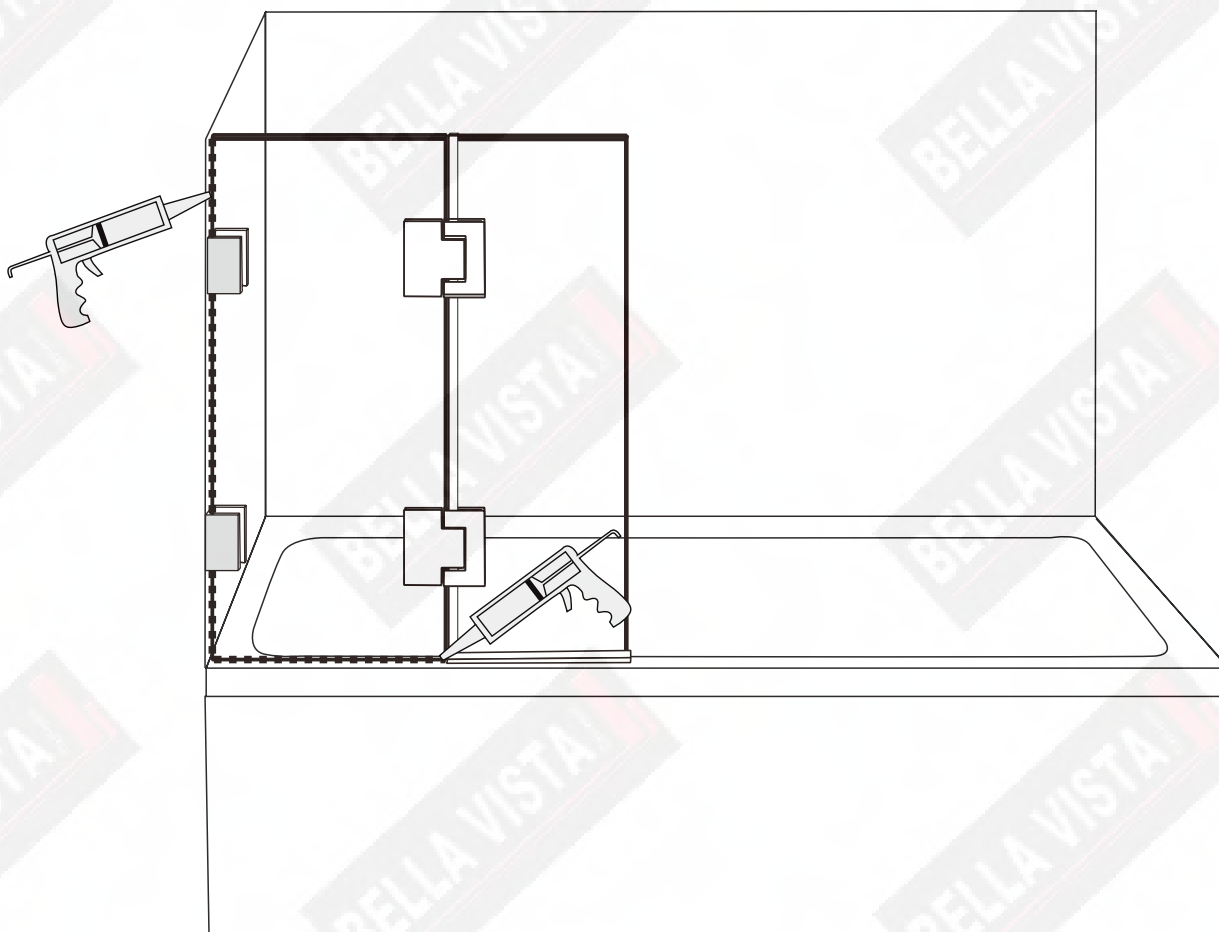
Step3

View from outside



View from inside

Step4




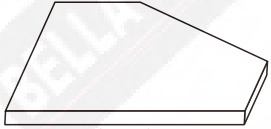


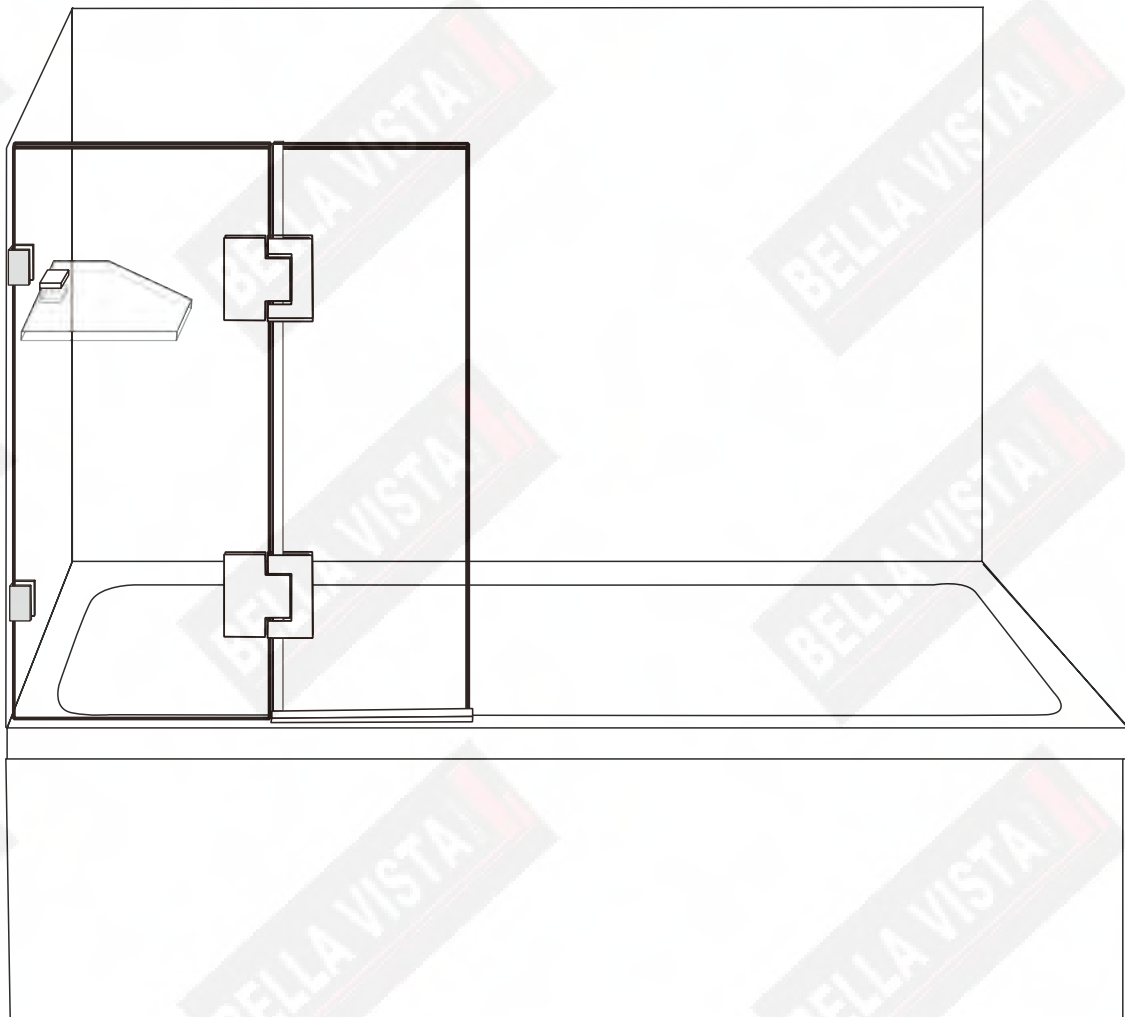
Structural Grade Silicone

Allow 48-72 hours for silicone to **dry** before use, depending on temperature(20-25°).

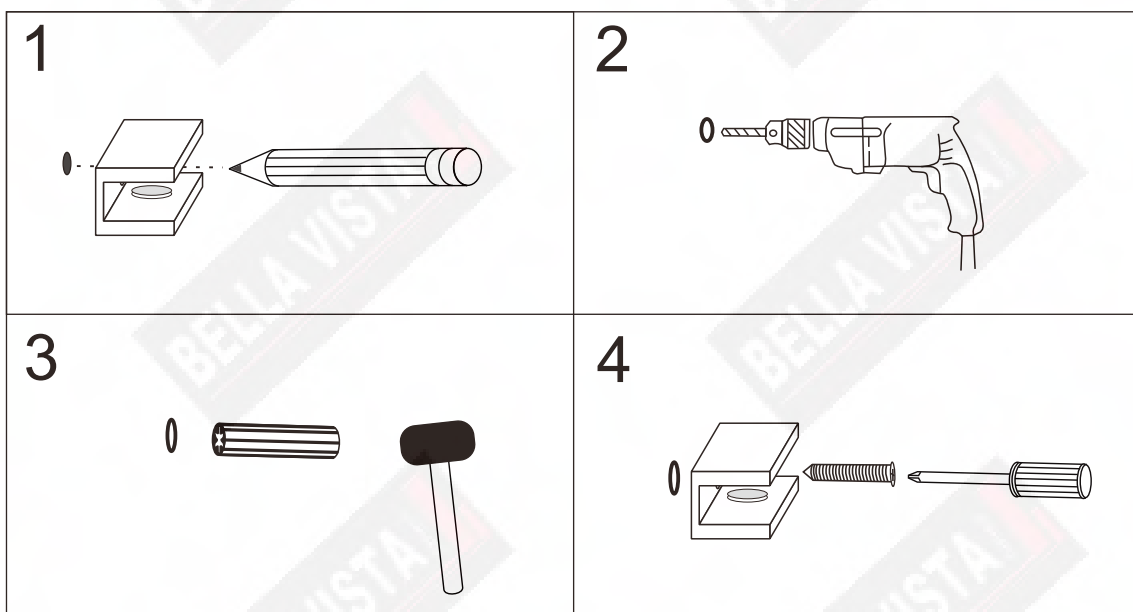
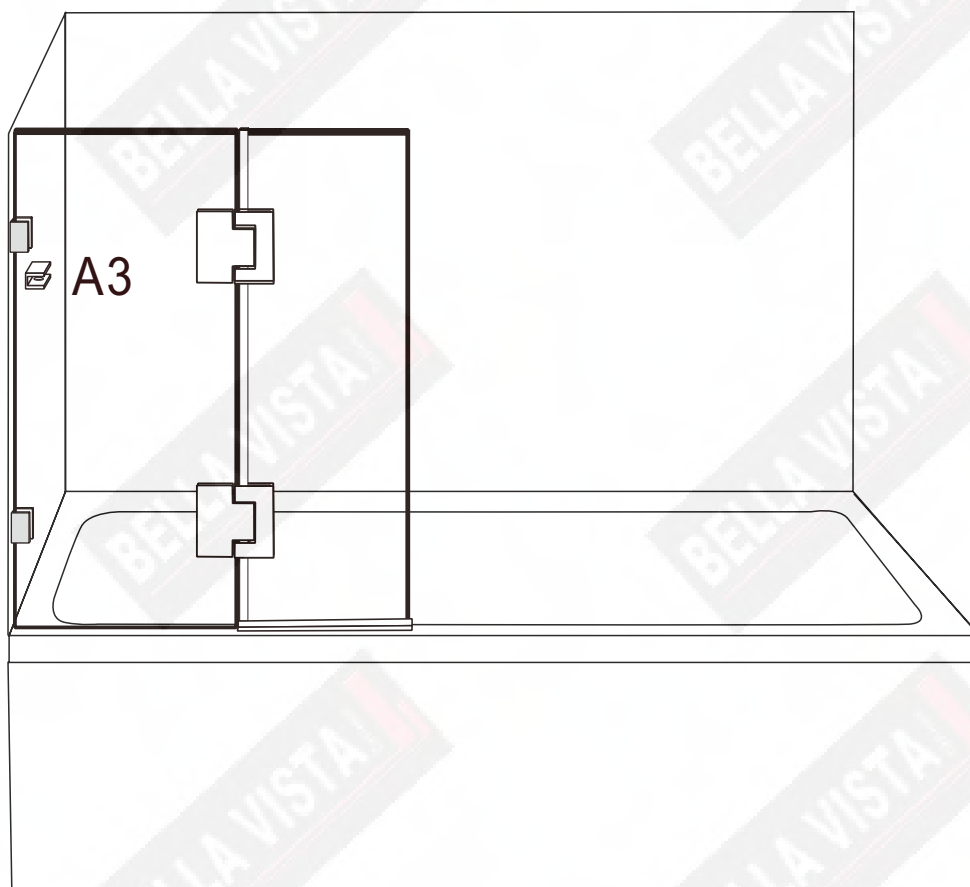


SHELF(Optional) 1

A1	Wall Plugs	x1	
A2	Screws M5X40	x1	
A3	Wall Brackets	x1	
A4	Shelf Glass	x1	 <small>PLEASE NOTE: Shelf is an optional purchase</small>

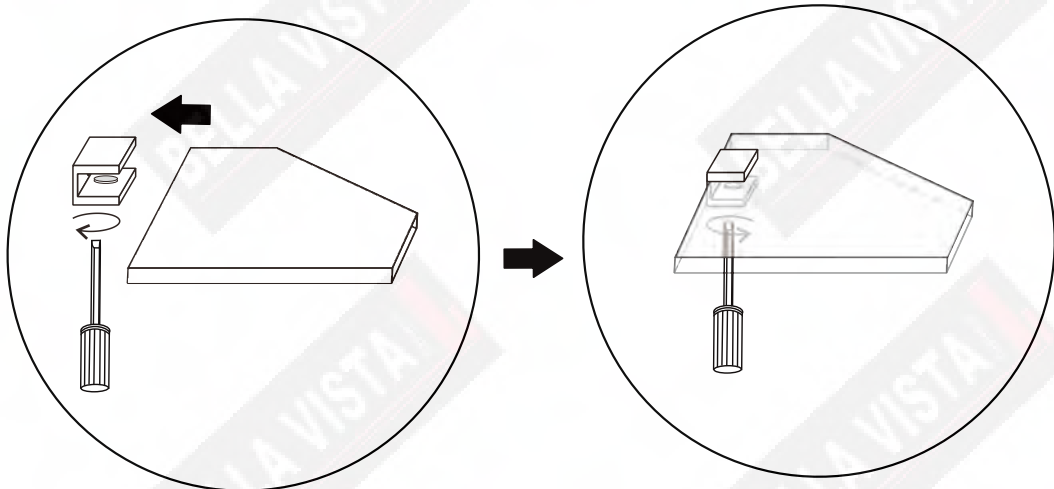
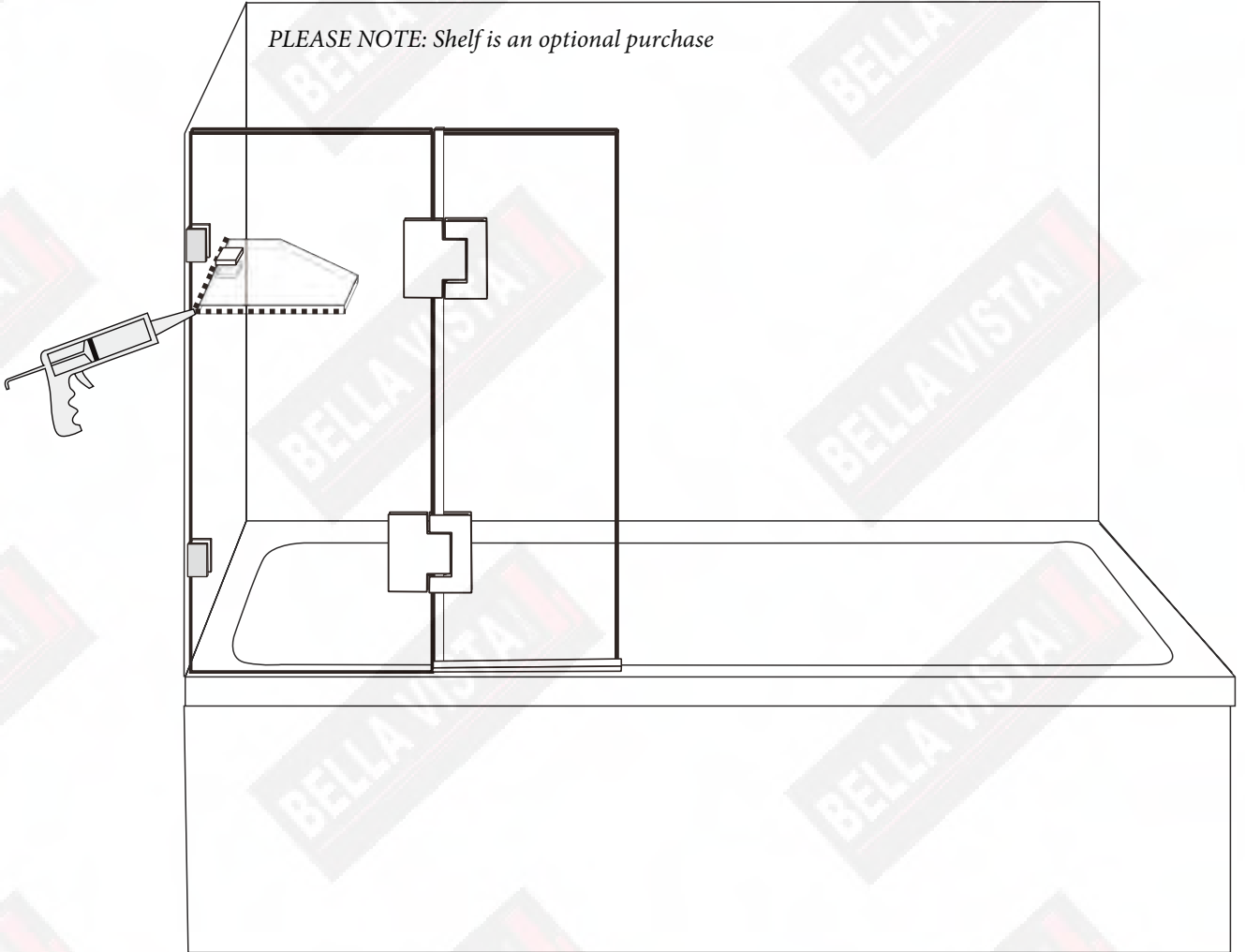


SHELF(Optional) 2



SHELF(Optional) 3

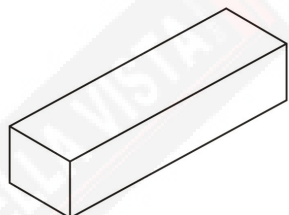
PLEASE NOTE: Shelf is an optional purchase



***** PLEASE NOTE: Plastic Packs are sold separately *****

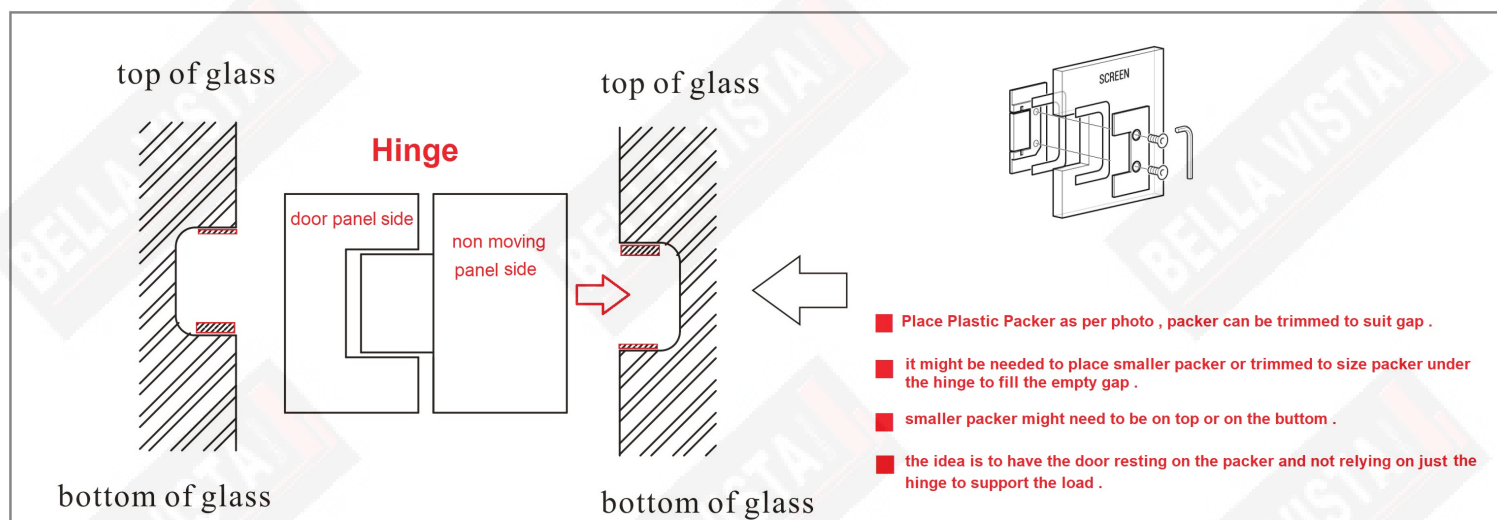
Hinge and Glass Packers

sizes available in 1.5mm , 3mm , 4mm , 4.5mm . (packers can be trimmed to suit the size needed)



Medium density Plastic Packers

THESE PACKERS ARE USED TO FILL IN THE GAP BETWEEN THE GLASS AND HINGE BODY, AS PER PHOTO



PUT THE SUITABLE SIZE PACKER BETWEEN HINGE AND GLASS AS PER PHOTO TOP OR BOTTOM TO STOP THE GLASS FROM DROPPING. PACKERS CAN BE TRIMMED TO SIZE IF NEEDED TO FIT BETWEEN GLASS AND HINGE BODY

IF THE PACKERS ARE NOT FITTED AND DOOR DROPS WARRANTY IS VOID

***** PLEASE NOTE: Plastic Packs are sold separately *****