

VENEZIA

TWIN SHOWER

JohnsonSuisse
Bathroom Solutions

CODE:
JTV21xxx

FEATURES

- Minimalistic design
- Pin lever handle activates rose/hand wand diverter
- Large 200mm fixed shower rose
- Slim, lightweight shower wand with 1.5mm hose
- Range of attractive finishes
- Durable brass construction
- Simple, secure fixing system

TECHNICAL DETAILS

- WELS Rating 3 Star - 9L/min.
- Operating Pressure 150-500kPa
- Operating Temperature 1-75°C
- Ceramic disc diverter
- Flexihose connections 1/2" F BSP

WARRANTY

20 YEARS PRODUCT REPLACEMENT
- Refer to T&C's at johnsonsuisse.com.au



Note that a shower mixer is required.
Recommended model JTV70xxx.
This is a separate supply item.



ITEM CODES



CHROME
CODE: JTV21CH

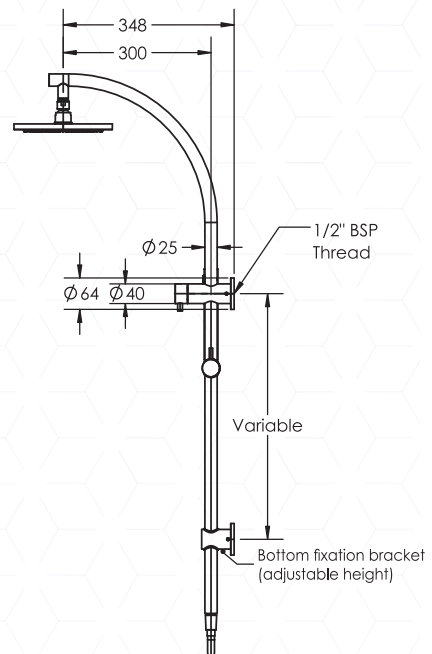
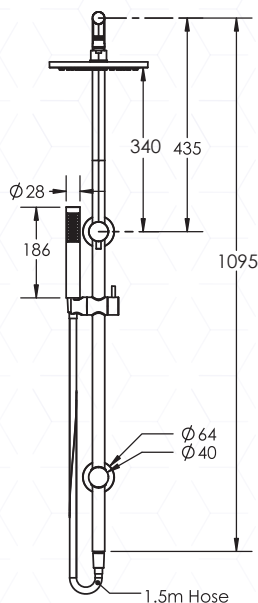


GUNMETAL
CODE: JTV21EGM



MATTE BLACK
CODE: JTV21EMB

Other finishes available on request



TECHNICAL DATA SHEET

SUPERSEDES ALL PREVIOUS ISSUES

All dimensions are in millimetres and are subject to normal manufacturing variation.
As product development is ongoing BPA reserves the right to vary specifications without notice.
Bathroom Products Australia P/L ABN 87 079 297 617

JohnsonSuisse
Bathroom Solutions

2/97 Banksia St., Botany, NSW 2019
TEL: 1300 717 717 FAX: 1300 746 480
www.johnsonsuisse.com.au

V1 0921