

# VENEZIA

## SHOWER MIXER WITH DIVERTER

**JohnsonSuisse**  
Bathroom Solutions

CODE:  
JTV605xxx

### FEATURES

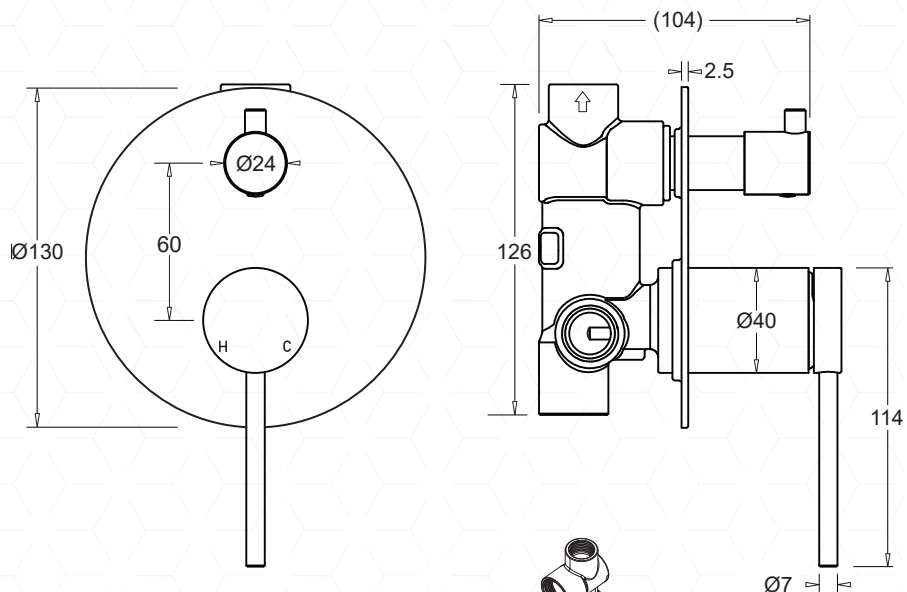
- Minimalistic design
- Ultra thin stylish pin lever handle
- Range of attractive finishes
- Durable DZR brass construction
- Simple, secure fixing system
- Matching showers and accessories

### TECHNICAL DETAILS

- WELS Rating 5 Star - 5.5L/min.
- Operating Pressure 150-500kPa
- Operating Temperature 1-75°C
- 25mm Ceramic disc cartridge
- Flexihose connections ½" F BSP

### WARRANTY

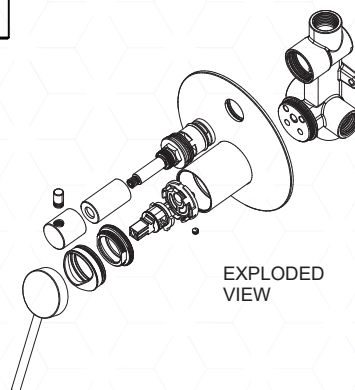
20 years product replacement  
- Refer to T&C's at [johnsonsuiss.com.au](http://johnsonsuiss.com.au)



### ITEM CODES

-  CHROME  
CODE: JTV605CH
-  GUNMETAL  
CODE: JTV605EGM
-  MATTE BLACK  
CODE: JTV605EMB

Other finishes available on request



EXPLODED  
VIEW

## TECHNICAL DATA SHEET

SUPERSEDES ALL PREVIOUS ISSUES

All dimensions are in millimetres and are subject to normal manufacturing variation.  
As product development is ongoing BPA reserves the right to vary specifications without notice.  
**Bathroom Products Australia P/L** ABN 87 079 297 617

**JohnsonSuisse**  
Bathroom Solutions

2/97 Banksia St., Botany, NSW 2019  
TEL: 1300 717 717 FAX: 1300 746 480  
[www.johnsonsuiss.com.au](http://www.johnsonsuiss.com.au)

V3 0921