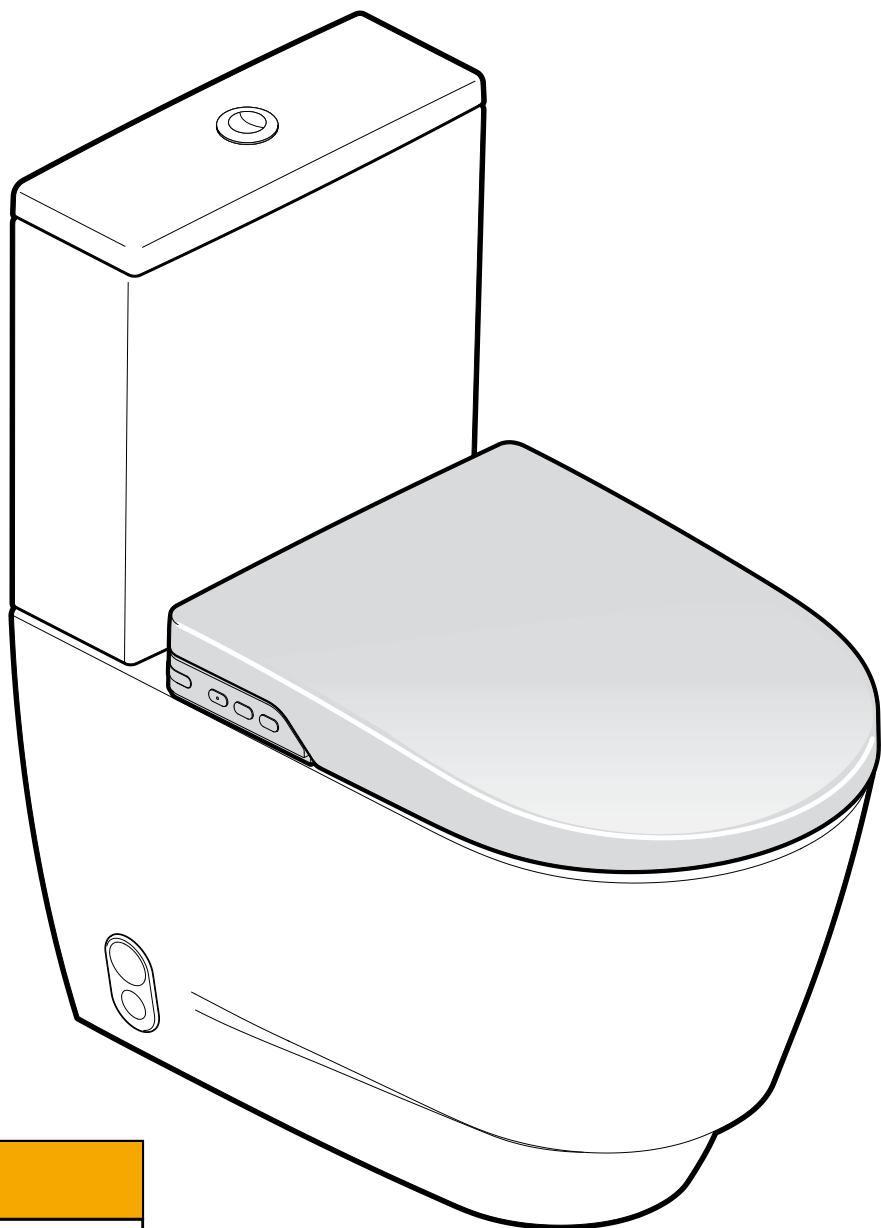


JohnsonSuisse

LISTO CC BTW SMART SHOWER TOILET

JSTL400

Installation Instructions




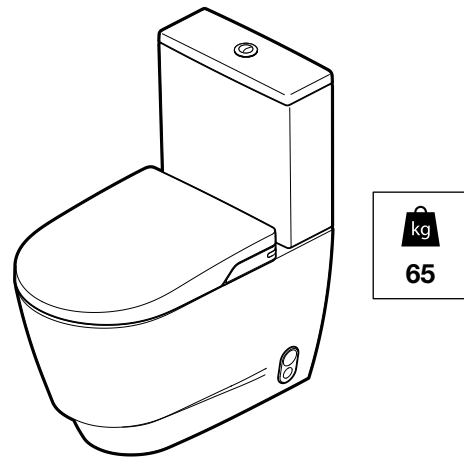
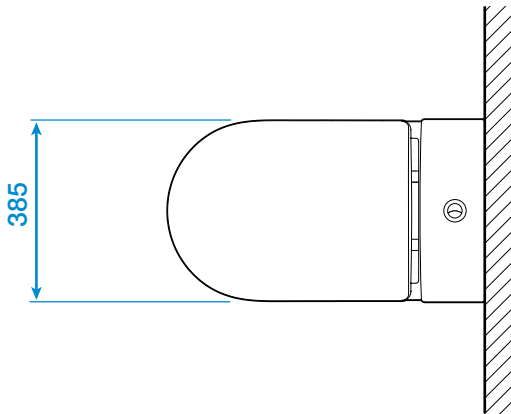
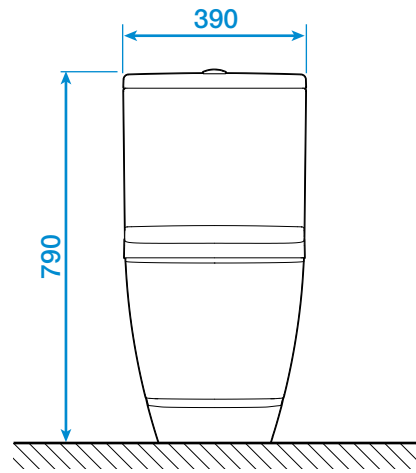
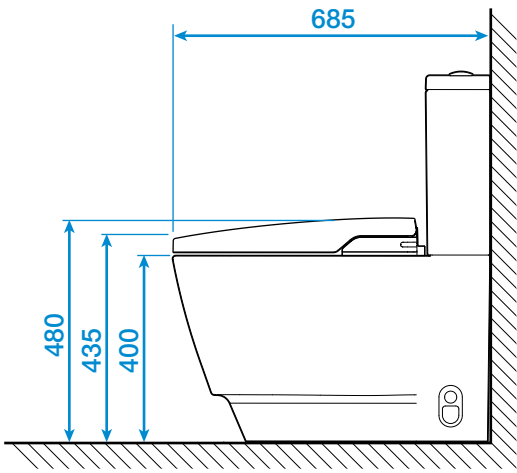
WARNING

KEEP OUT OF REACH OF CHILDREN.
THIS PRODUCT CONTAINS BUTTON BATTERIES.
Dispose of used batteries immediately. The battery is hazardous! If swallowed, a lithium battery can cause severe or fatal injuries within 2 hours. If you think batteries may have been swallowed or placed inside any part of the body, seek immediate medical attention. Contact the Australian Poison Information Hotline on 13 11 26 or National Poisons Centre NZ on 0800 764 766.

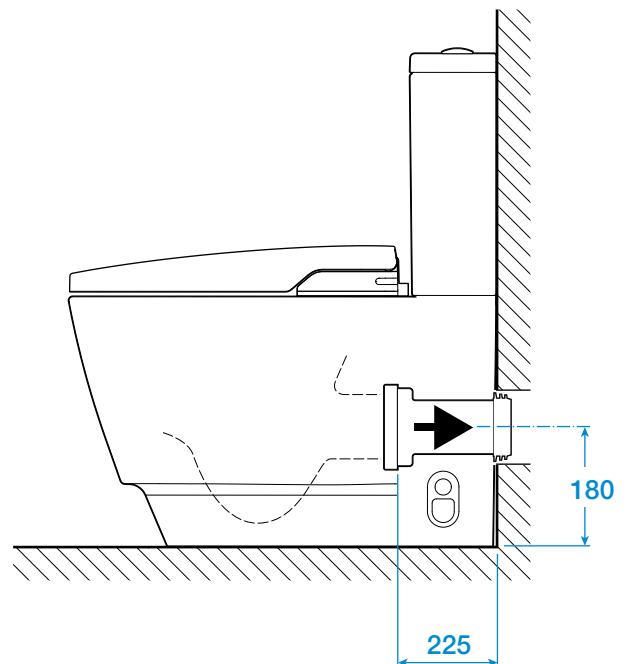
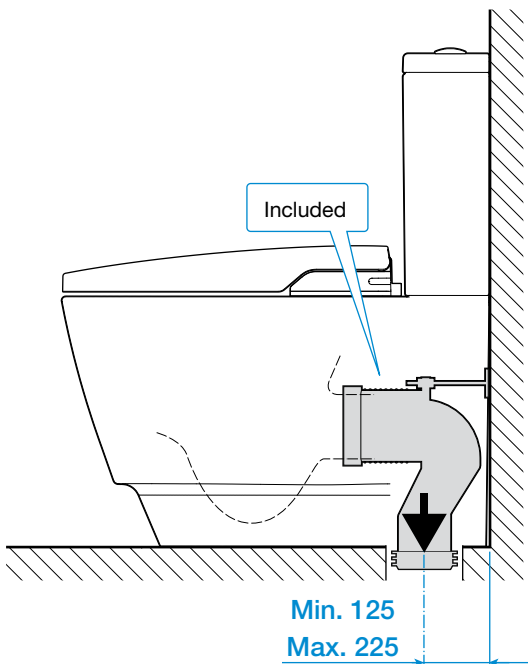


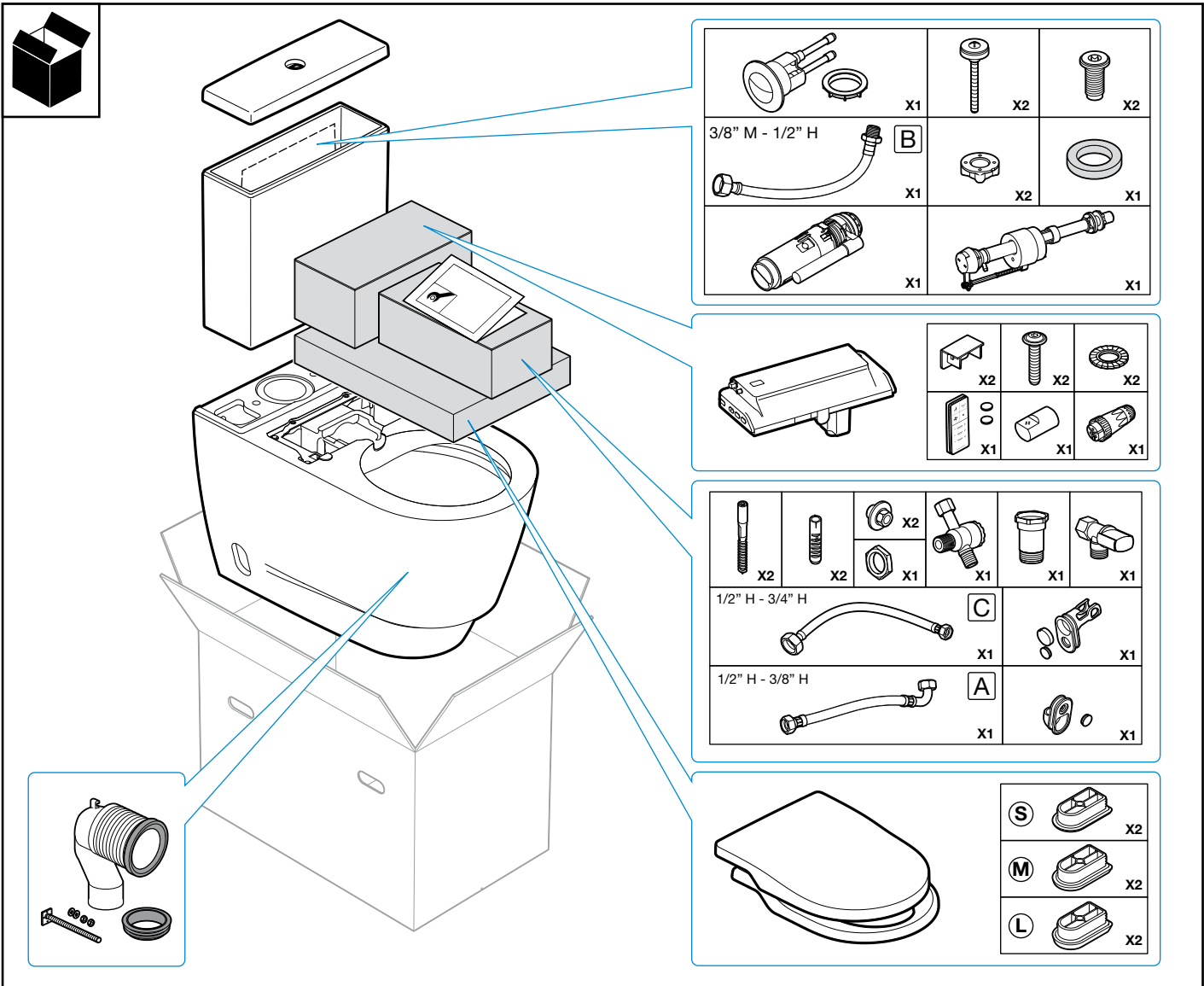
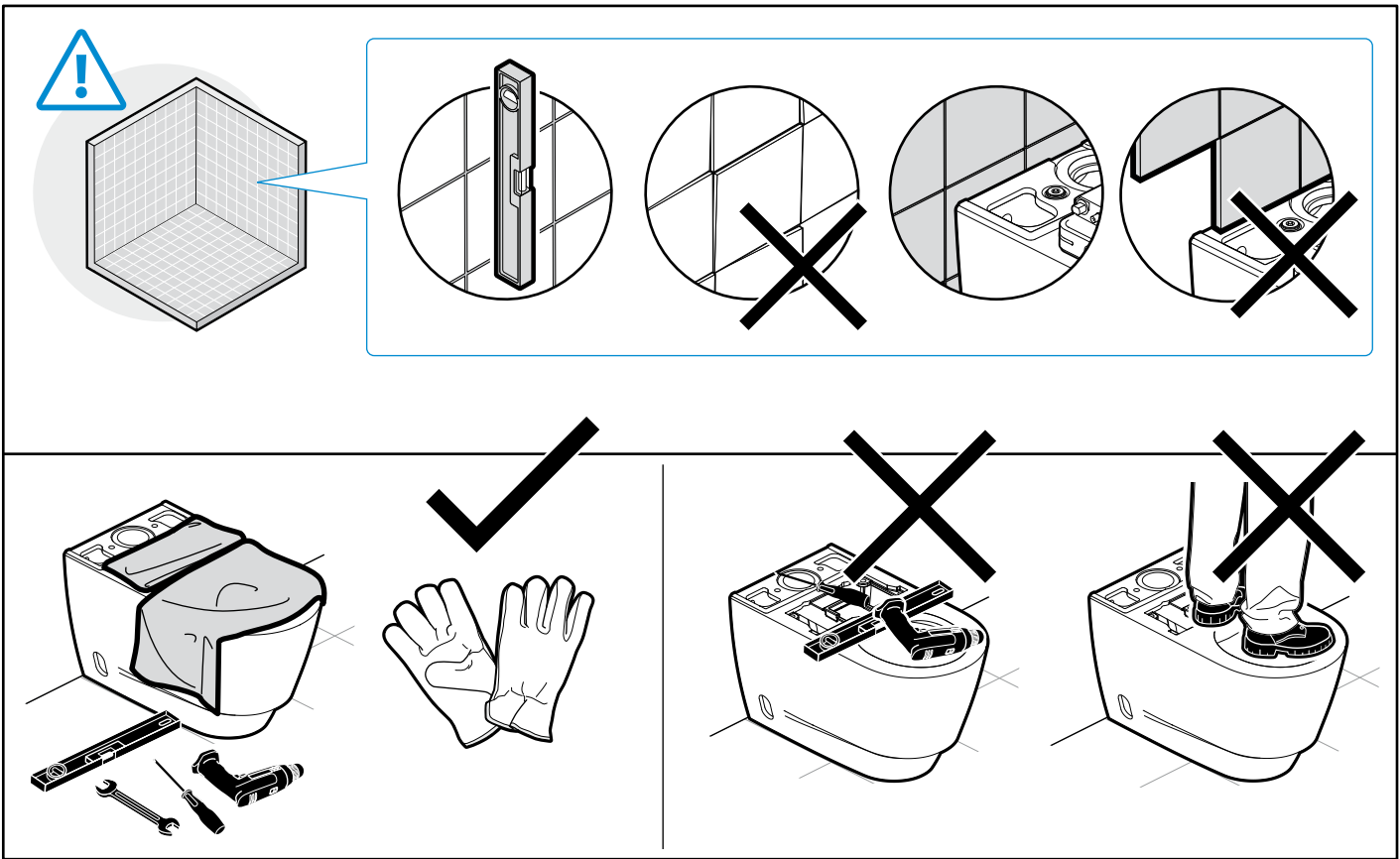
- The product must be installed by a licensed electrician according to AS/NZS 3000 - Australian wiring rules.
- Before installation, read this installation manual thoroughly and the included safety precautions. Parts must be installed according to the instructions.
- Rain water or grey water is not suitable to operate this equipment. The **Listo Smart shower toilet** shower toilet may only be operated with normal drinking water.
- Do not damage electrical connection components.
- The recommended water supply pressure is 150 KPa to 500 KPa. Operate equipment within the recommended water pressure.
- Water supply temperature must be between 10 - 30°C. Ensure the correct water temperature is maintained.
- Do not use a water supply hose other than the one provided with this product.
- Make sure that this product is correctly earthed to ground. (If the product is not earth-connected, there is a risk of electric shock).
- **Dual check valve must be fitted before cistern stop.**
- **Please note that this product has an Integral High Hazard Backflow Prevention device that meets the requirements outlined in AS/NZS 3500.**

Technical information	
Power Supply	220-240Vac 50/60Hz
Power Wattage	1700 W
IP Rating	IPX4
Note: Any electrical work connected on this project must be installed by qualified personnel, in accordance with AS/NZS 3000 Wiring Rules.	
Certification	
Watermark	AS1172.1/AS1172.2 Certificate No. WMKA02321
WELS	4 Star, 4.5/3 litre, Average Flush 3.3 litre
RCM	



Alternative drainage connections





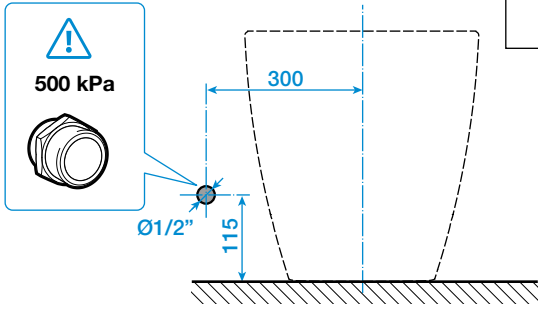
1 Pipes



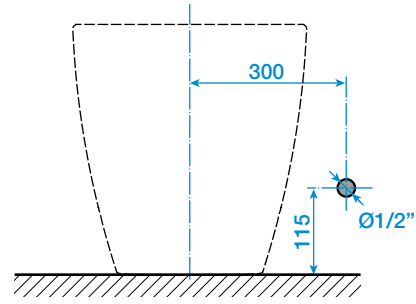
Do not use rain water.
Use only potable water.



Option **1a**

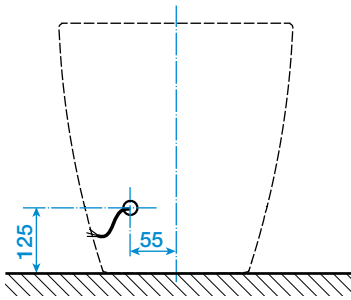


Option **1b**

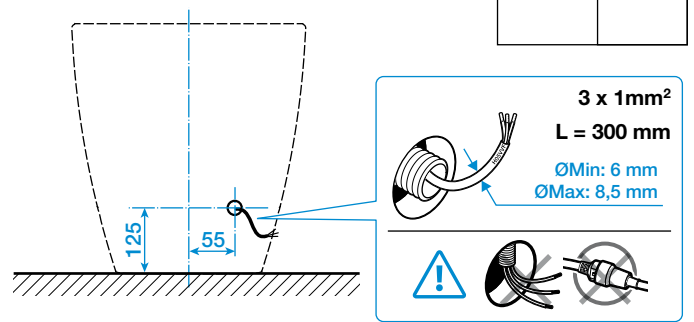


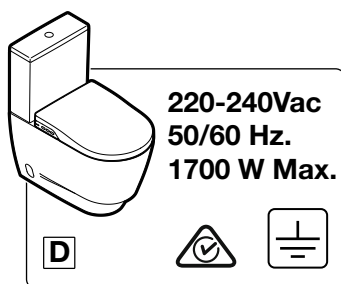
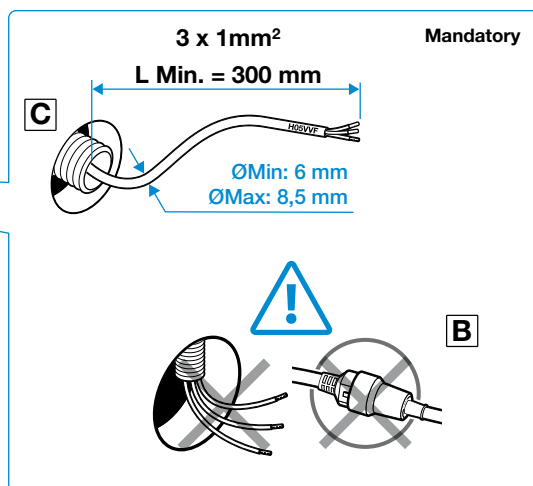
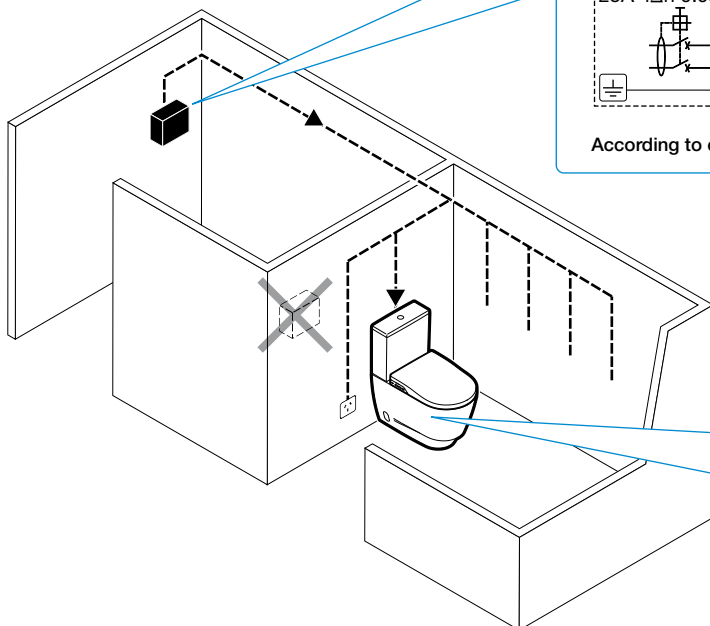
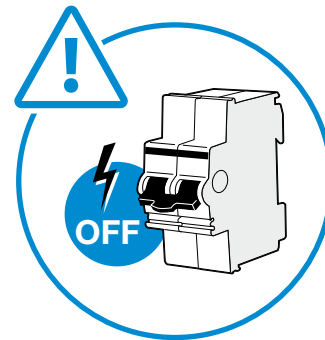
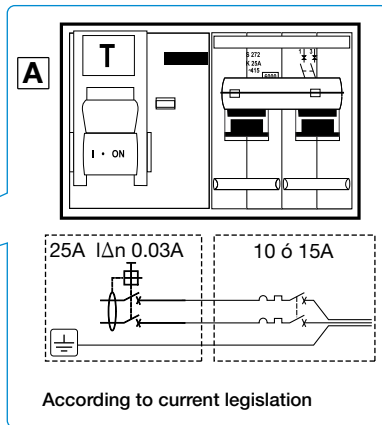
2 Electrical

Option **2a**



Option **2b**





A The electrical installation must be protected by means of a IDn 0,03A and 25A differential switch and a magnetothermal switch of 10 or 15A. Both switches must be placed outside the bathroom.

B A fixed power connection must be connected by a dedicated flexible power cable consisting of 3 wires (active, neutral, earth) of at least 1mm². The connection must be done inside an IPX4 or better junction box. If it is necessary to replace the power cable, this must be done by qualified service staff.

C 220-240Vac 50/60Hz

- Any electrical work conducted on this product must be installed only by qualified personnel, in accordance with AS/NZS 3000 Wiring Rules.

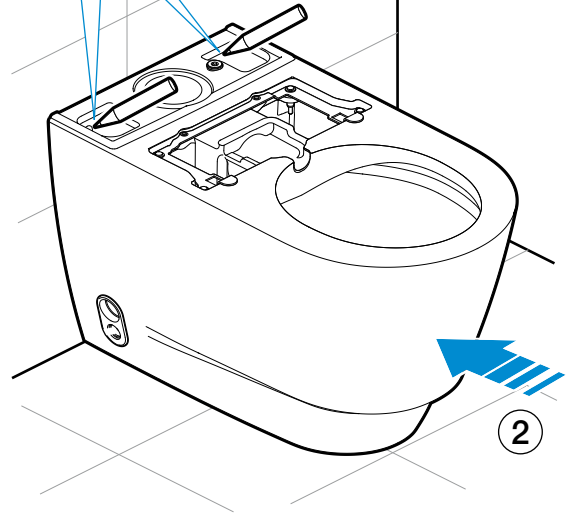
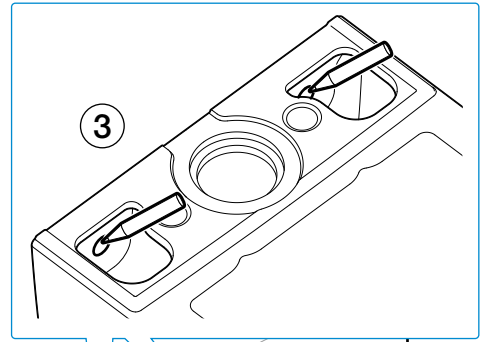
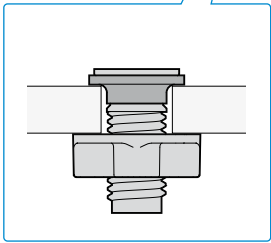
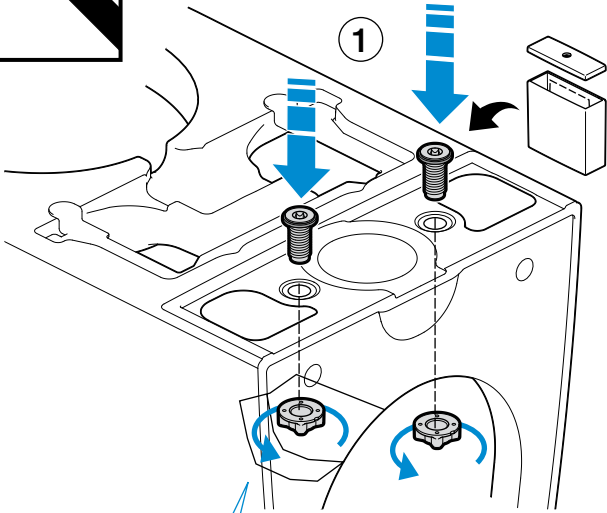
Note - Please consult with a qualified electrician to confirm an appropriate installation location.

- No additional electrical equipment should be fitted inside the toilet.

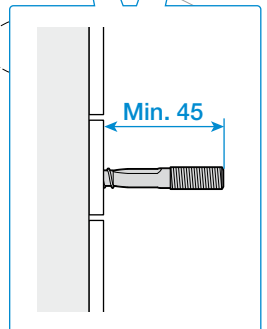
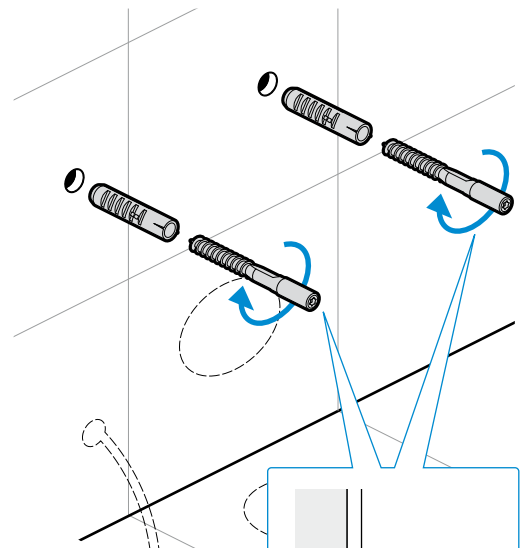
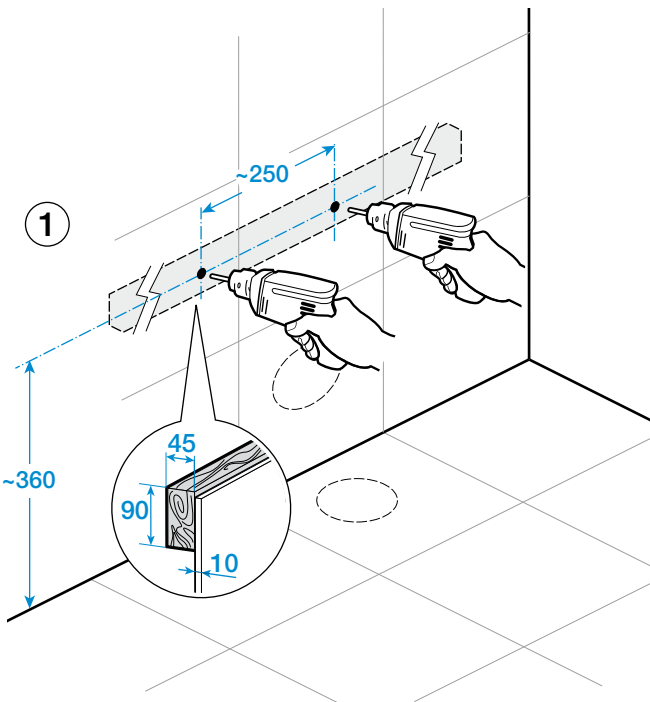
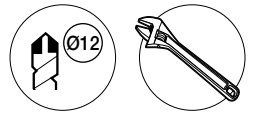
- This product (IPX4) shall not be exposed to water jets for cleaning purposes.



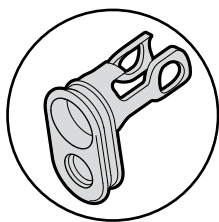
1



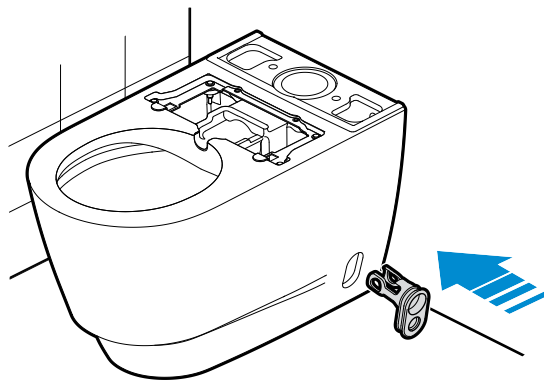
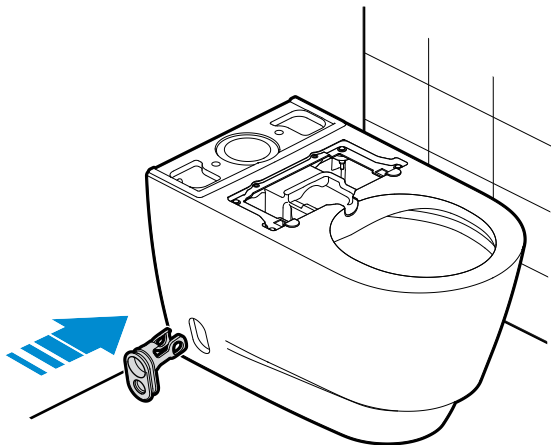
2



3

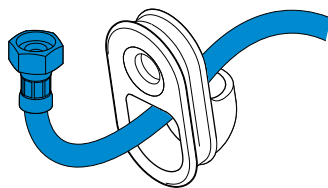
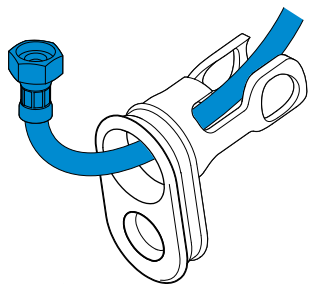
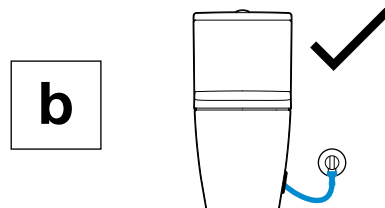
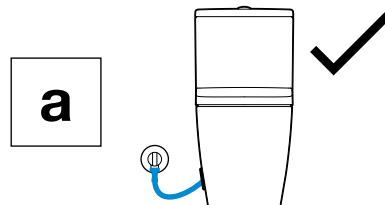
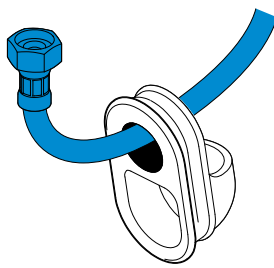
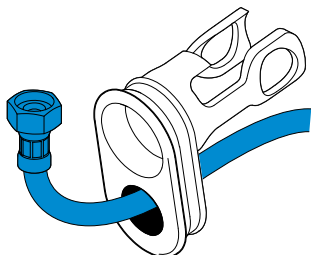


Water filter support

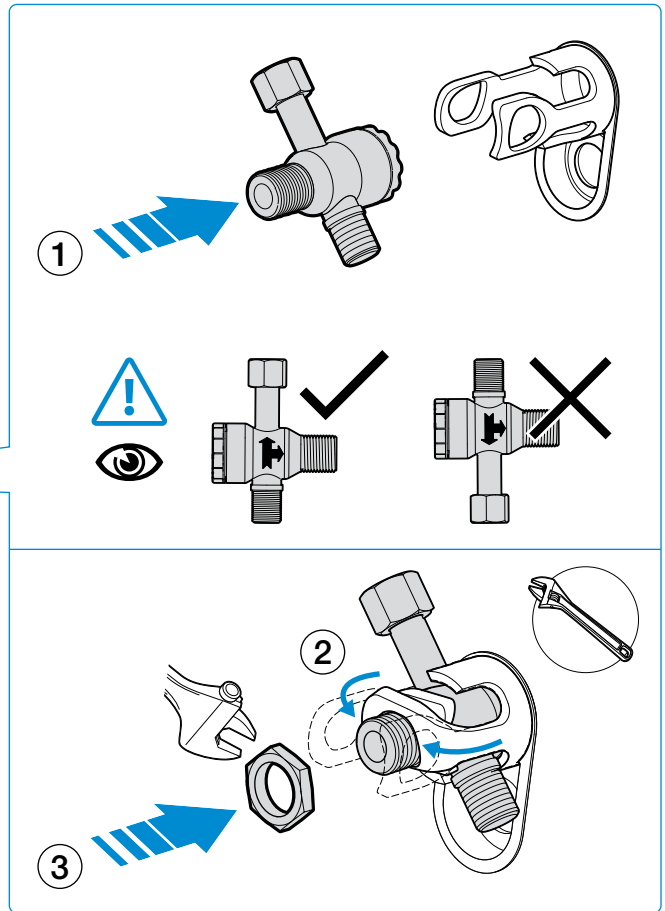
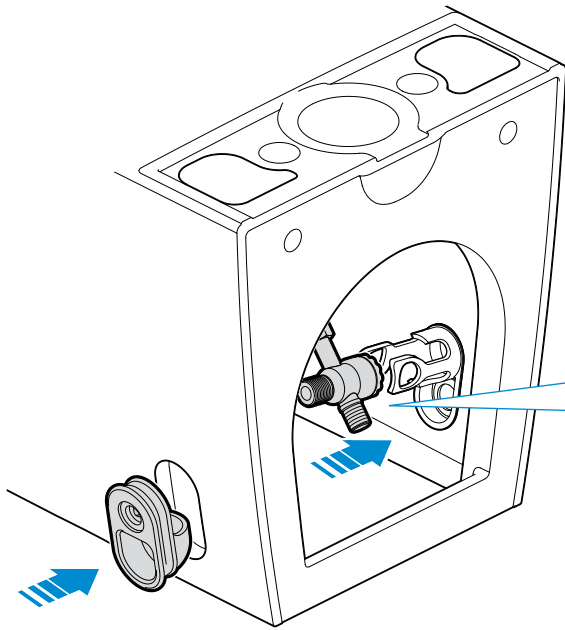


Install the water filter on the most accessible side

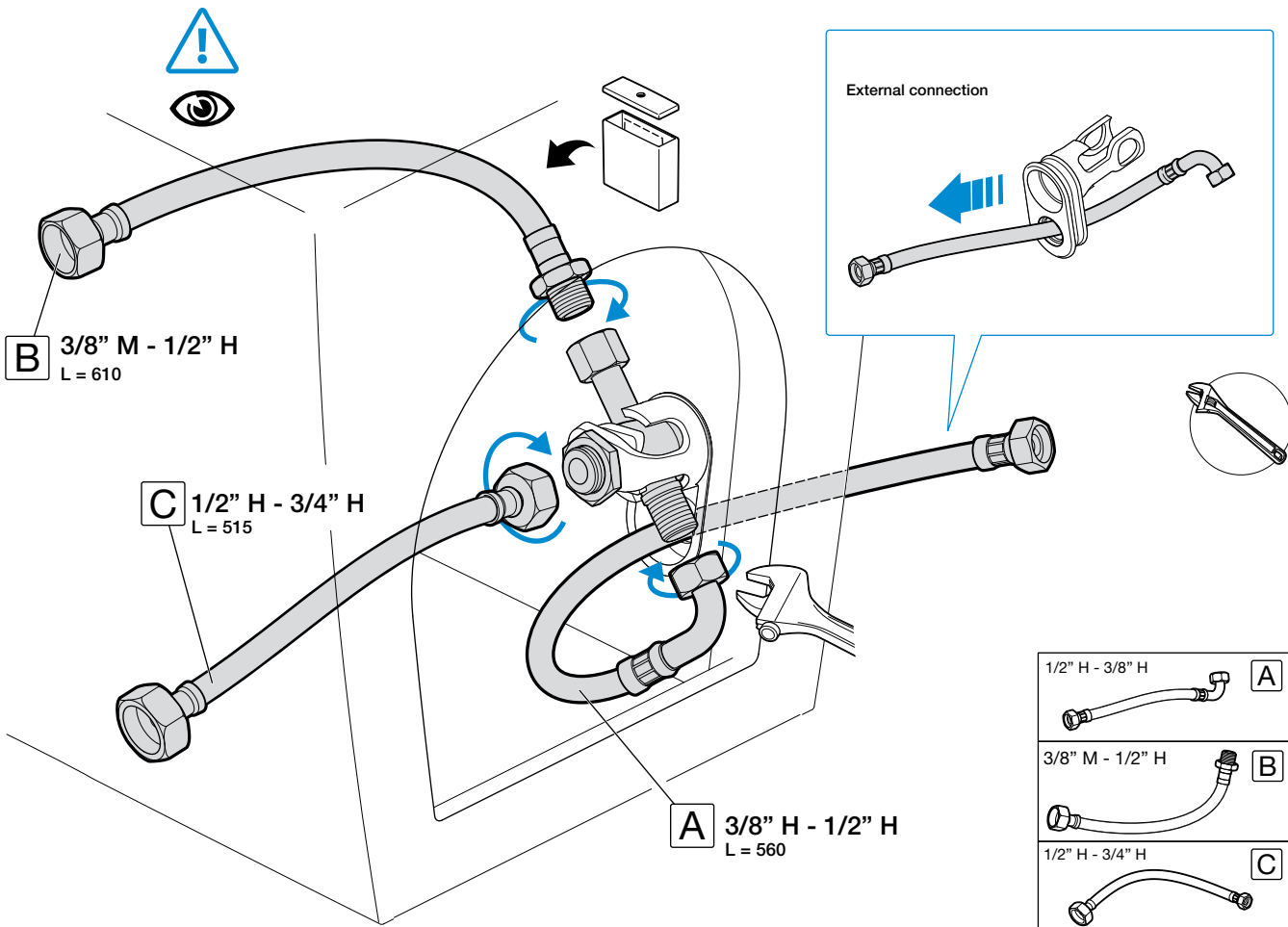
4

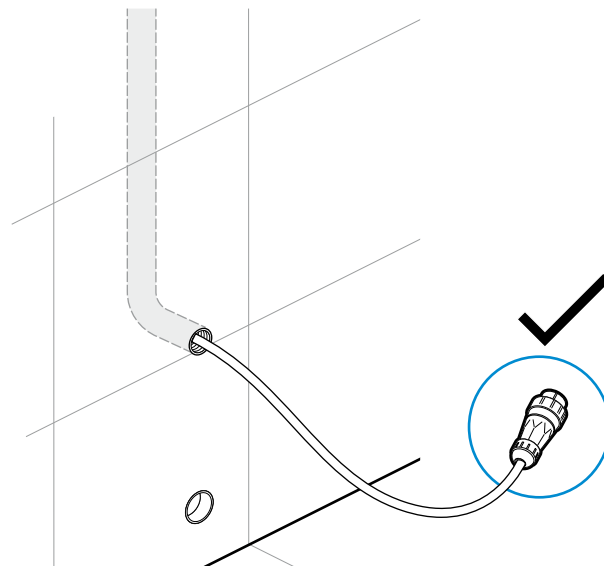
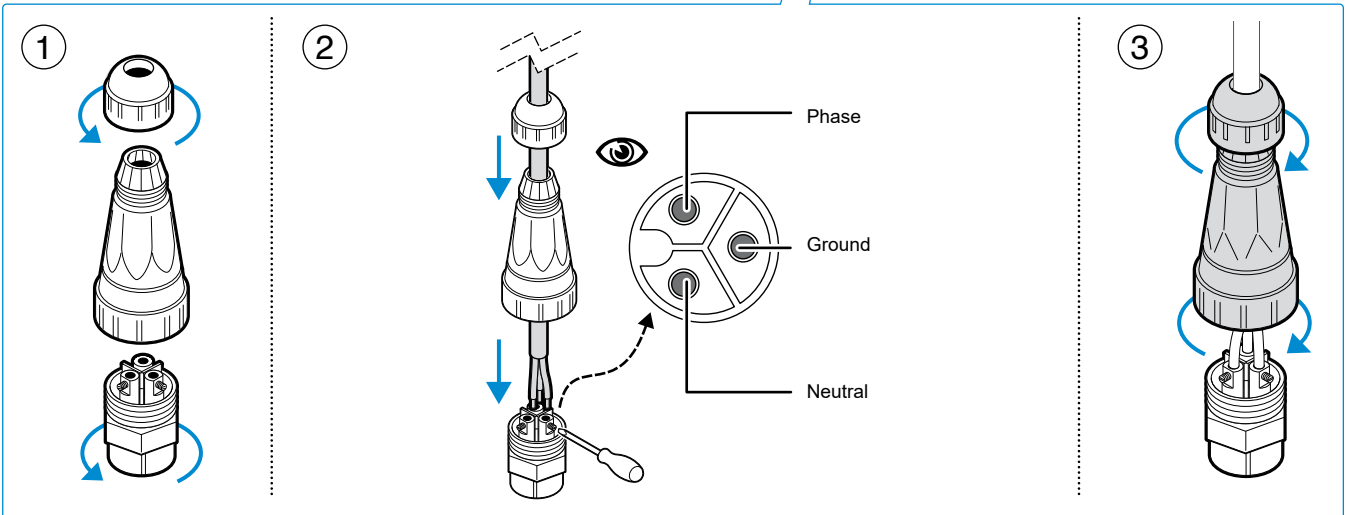
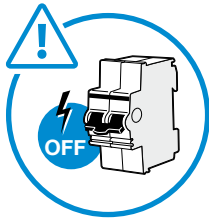
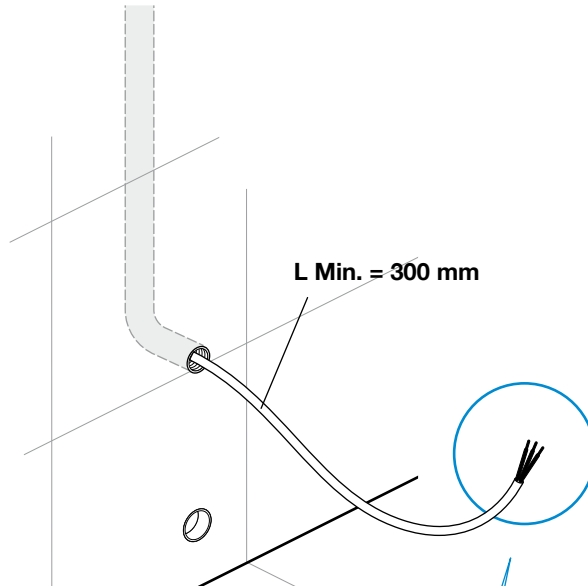
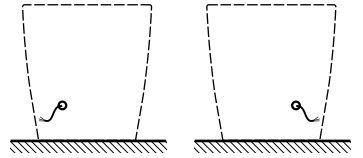


5

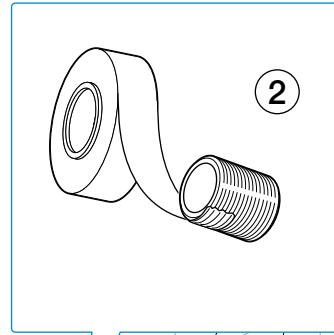
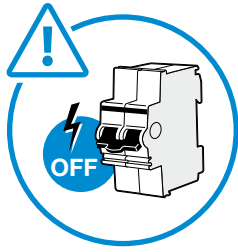


6



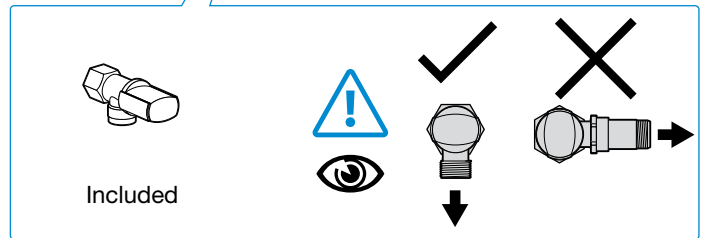
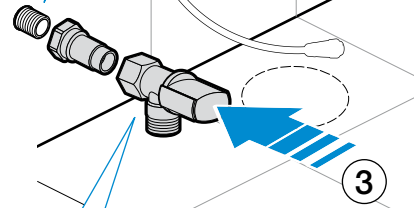


8



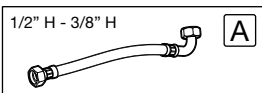
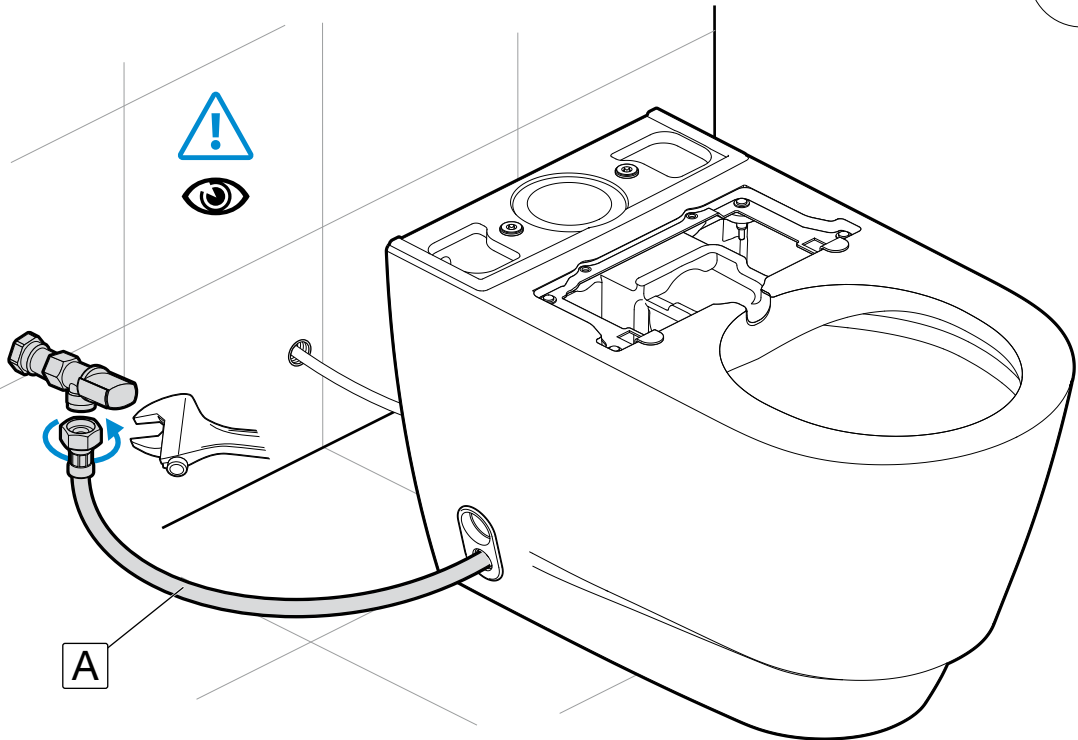
1

Option
1a
2a

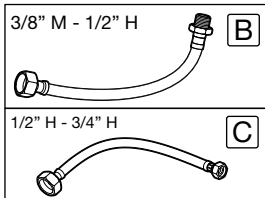
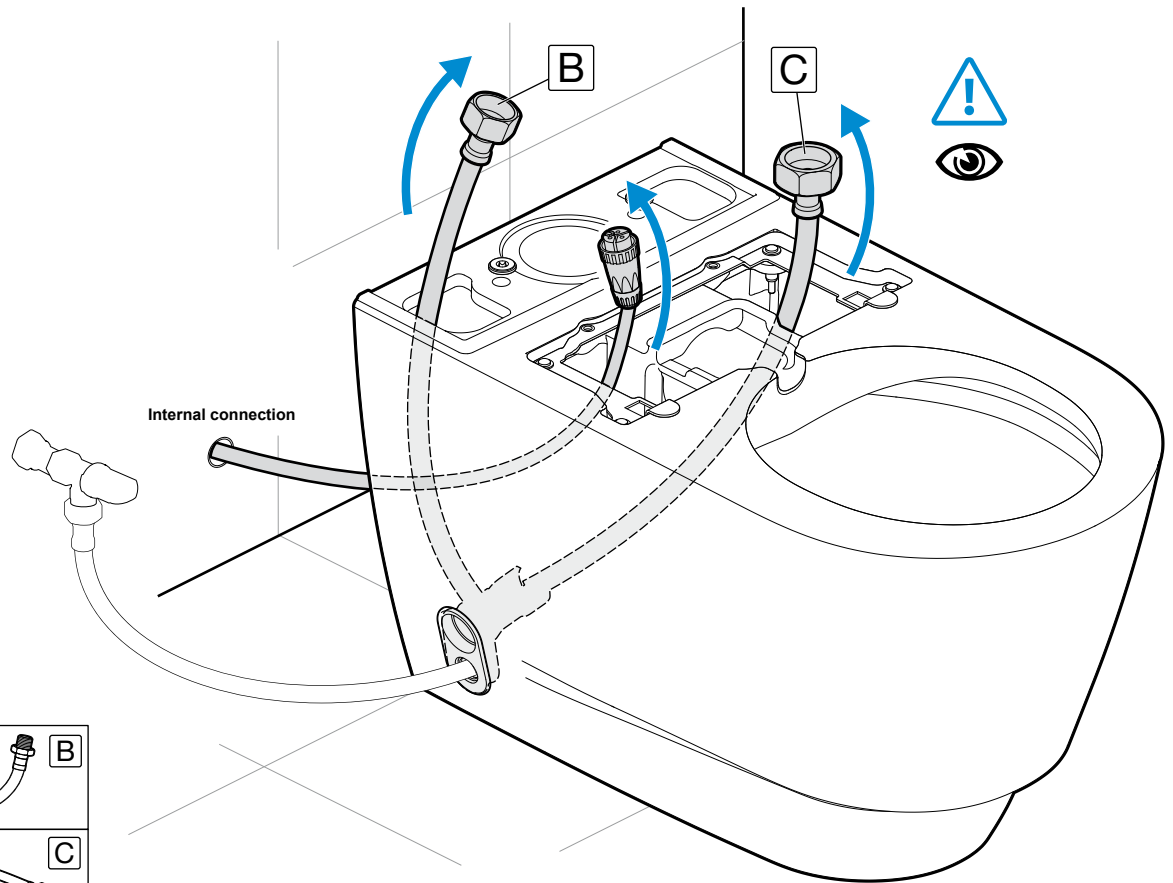


Note: Dual check valve must be fitted before cistern stop.

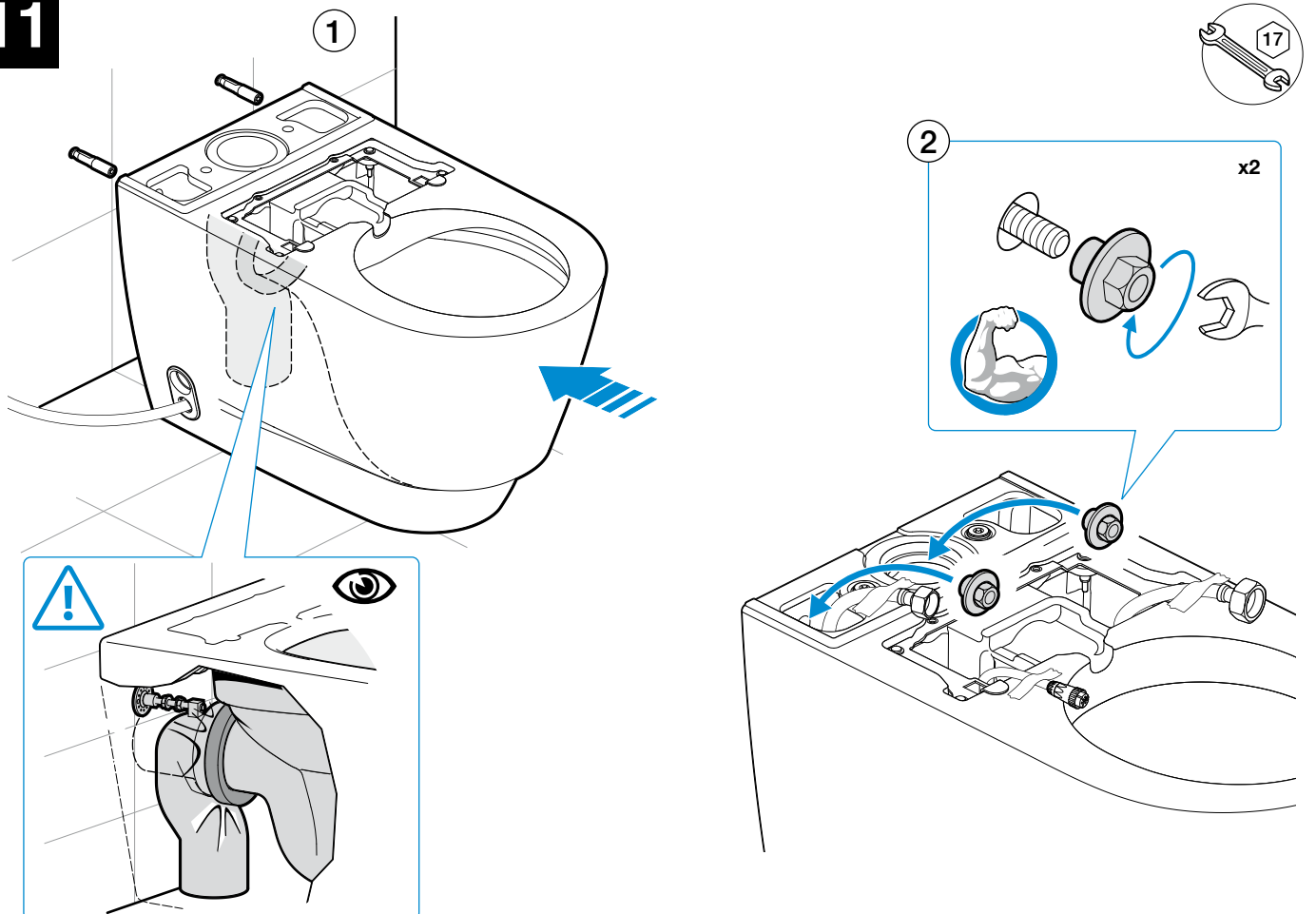
9



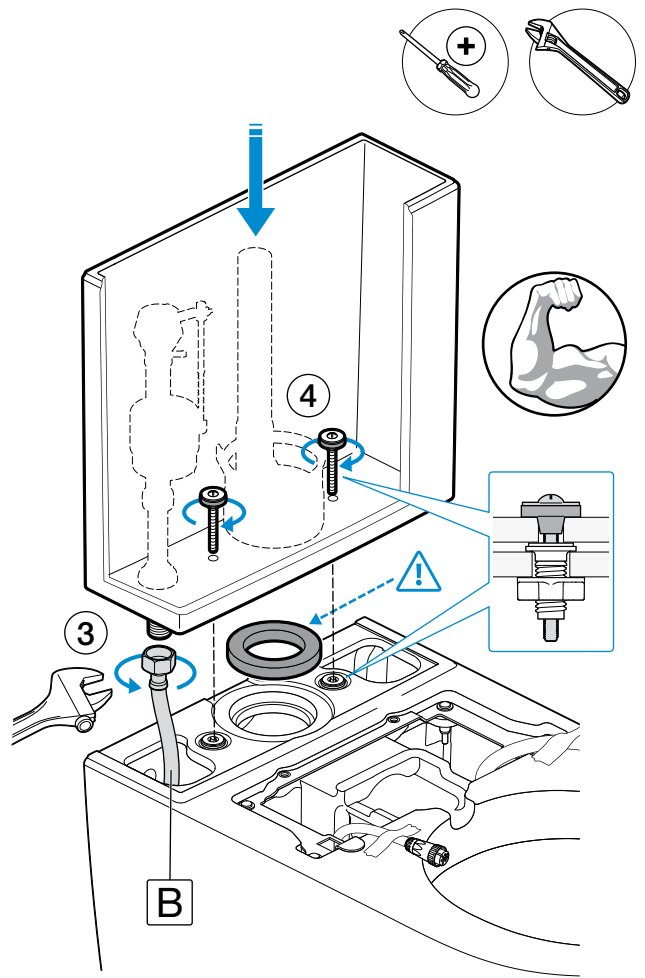
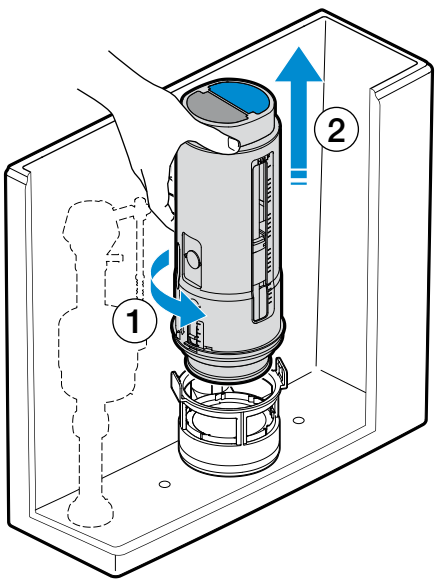
10



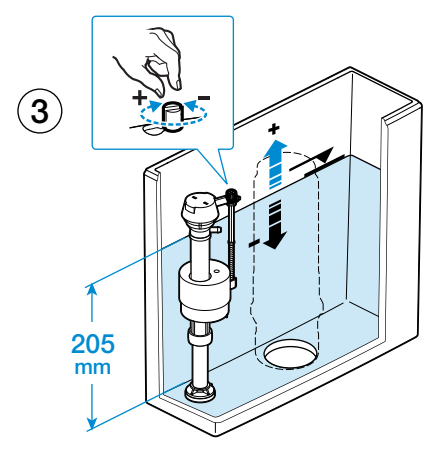
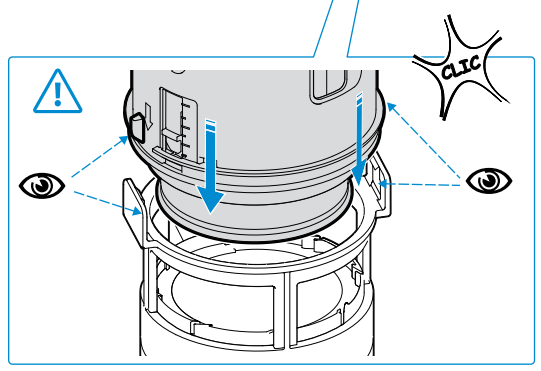
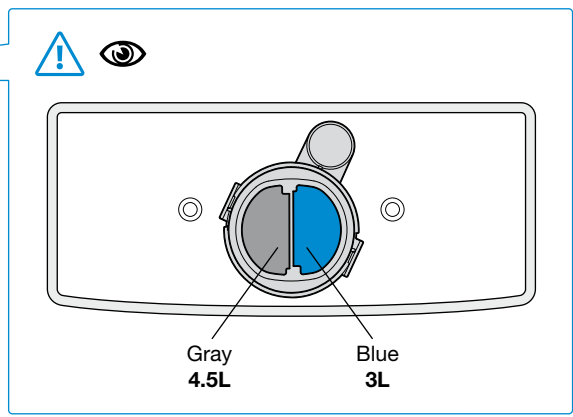
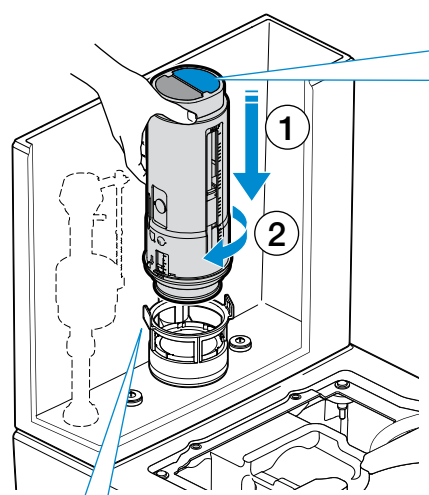
11



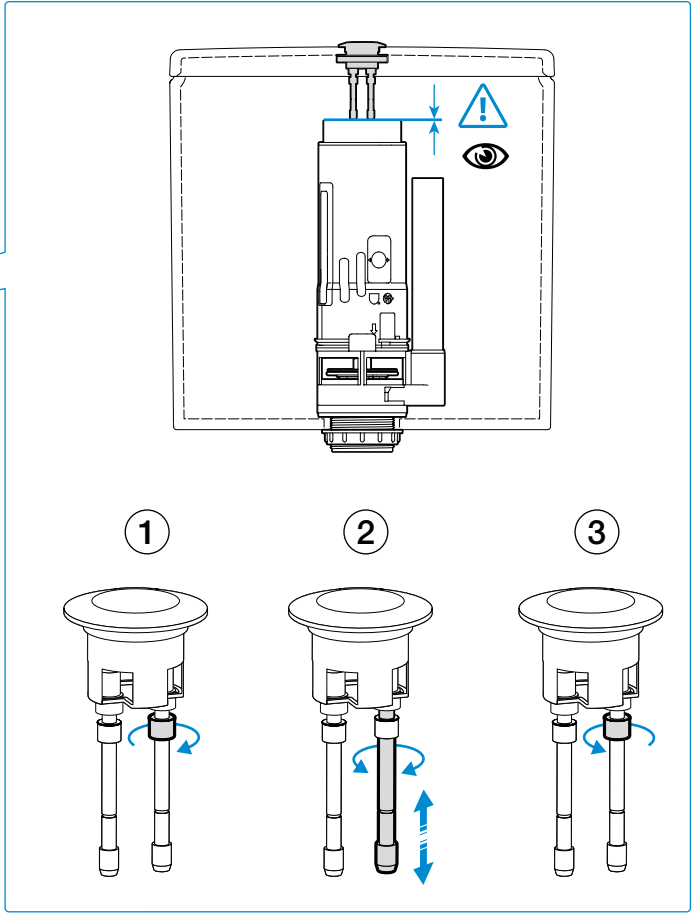
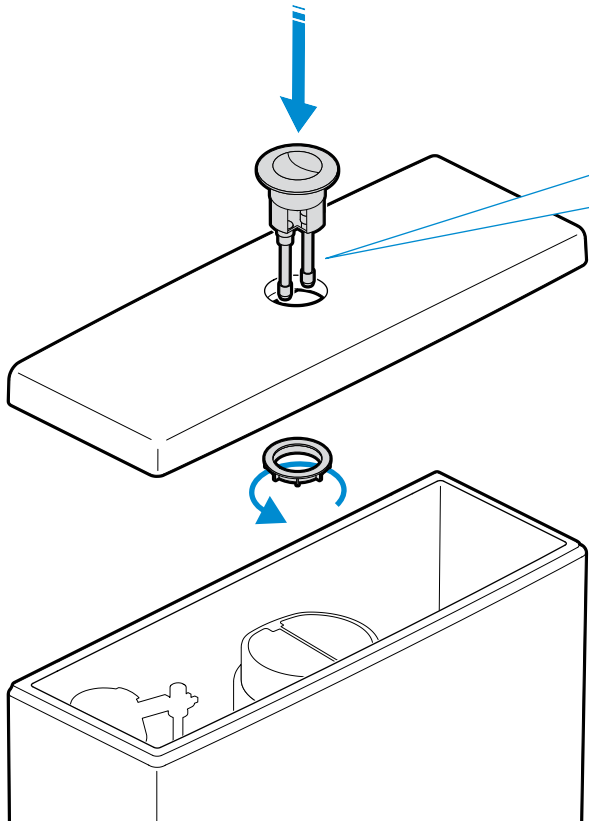
12



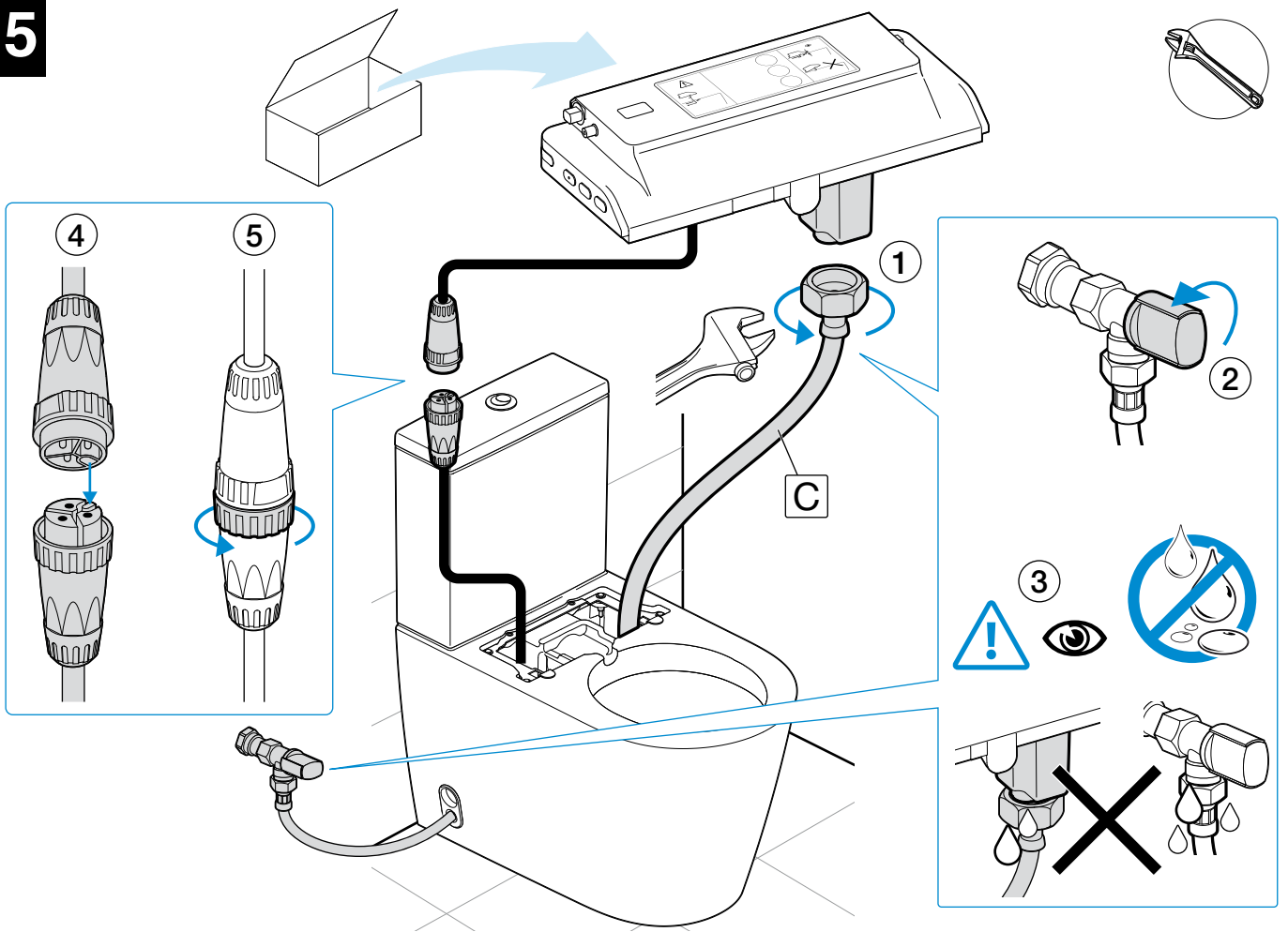
13

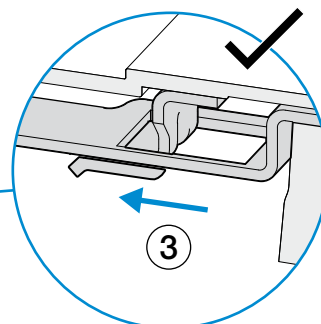
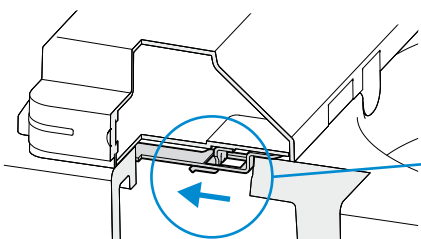
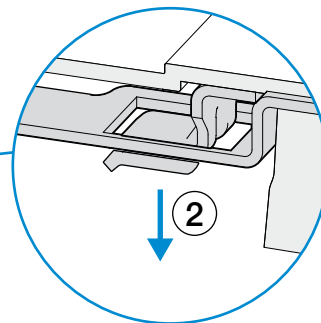
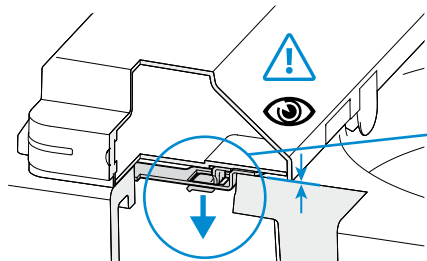
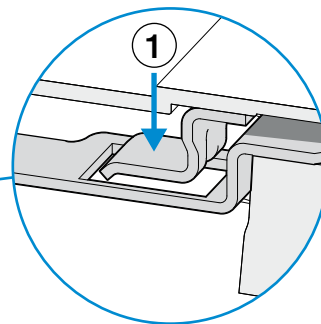
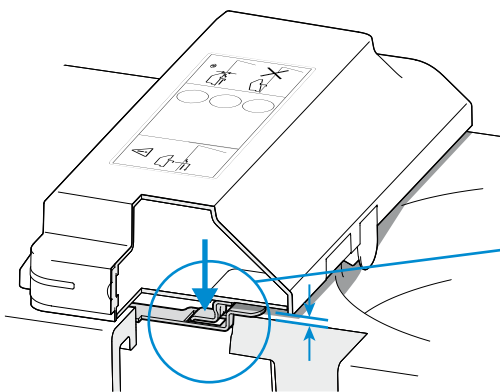
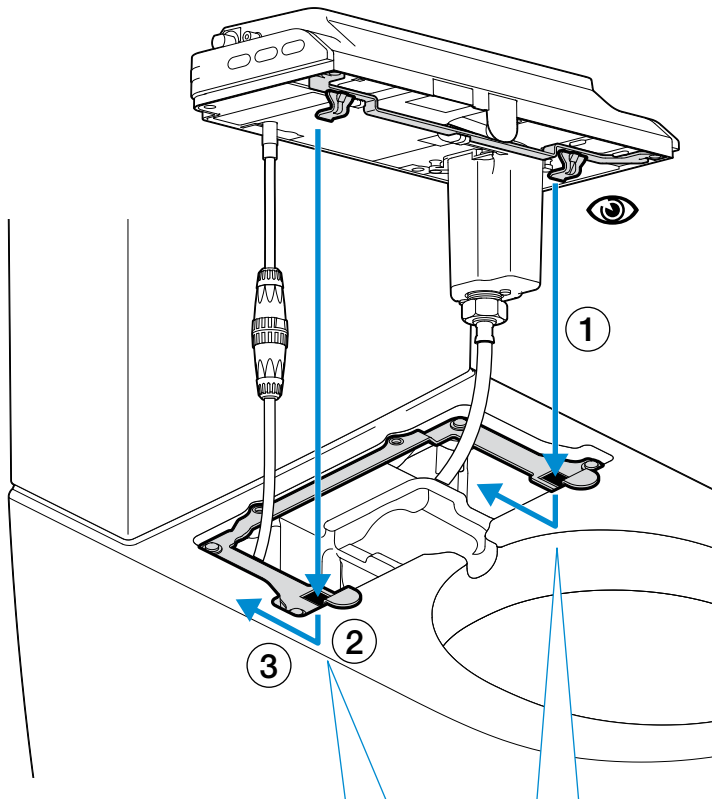


14

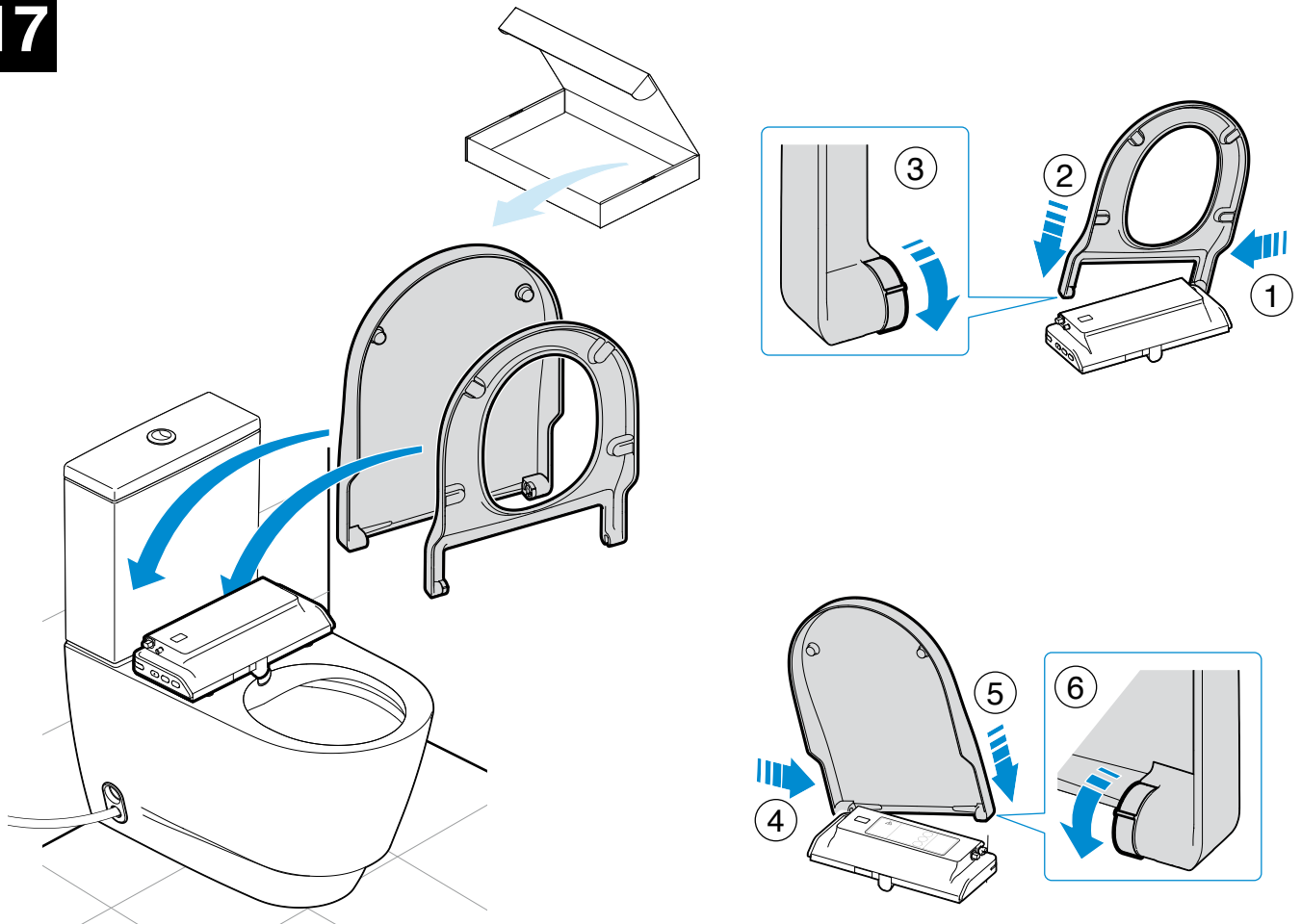


15

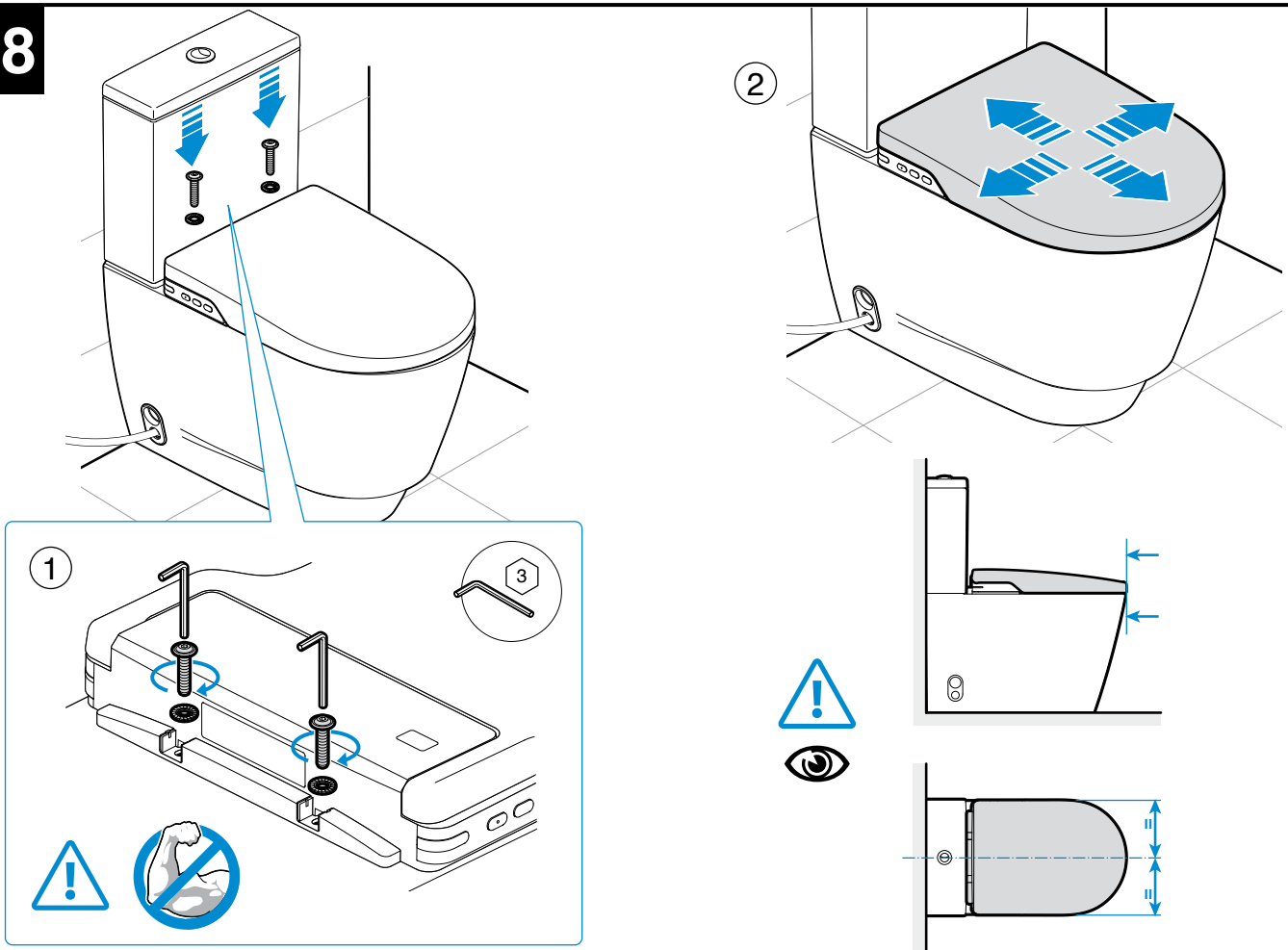




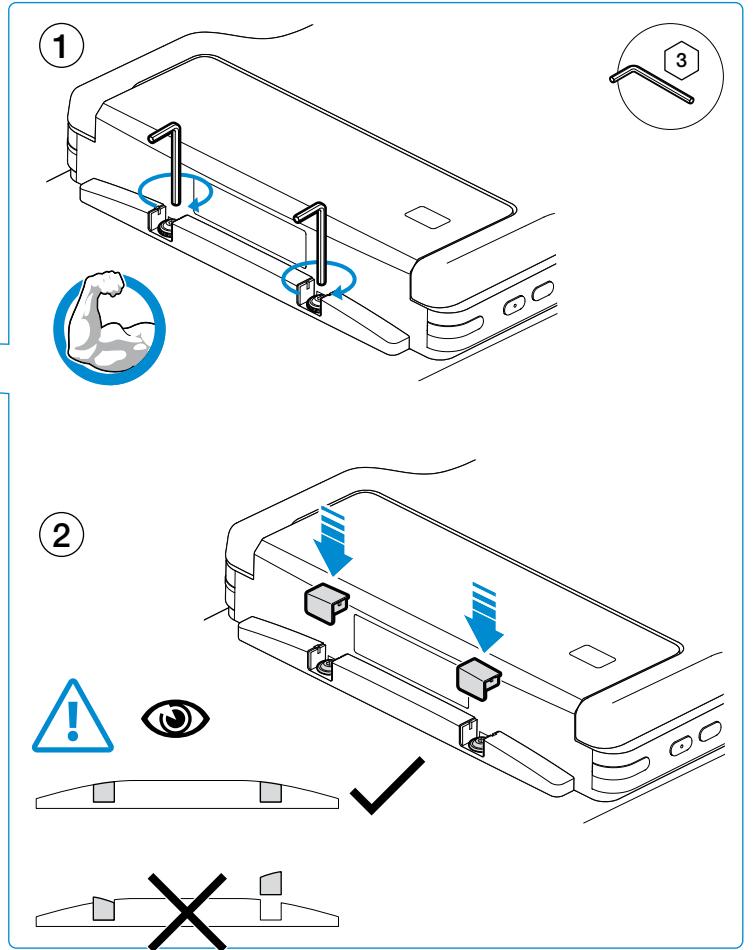
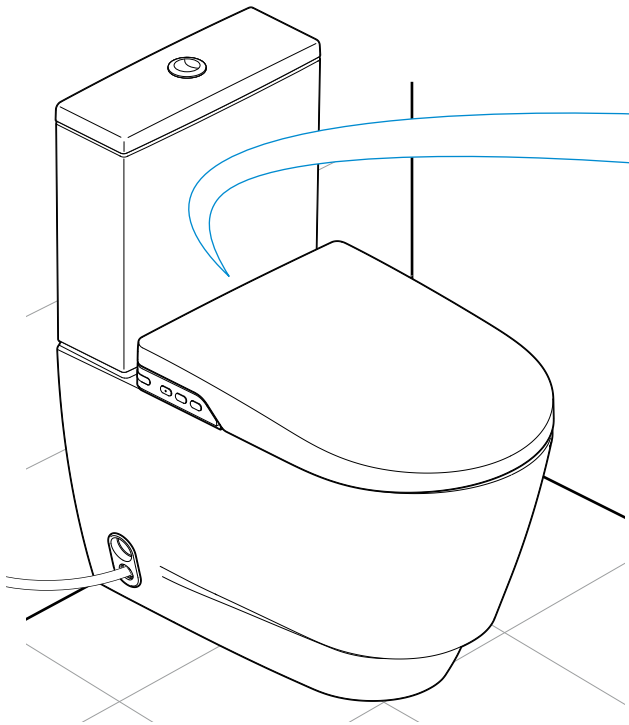
17



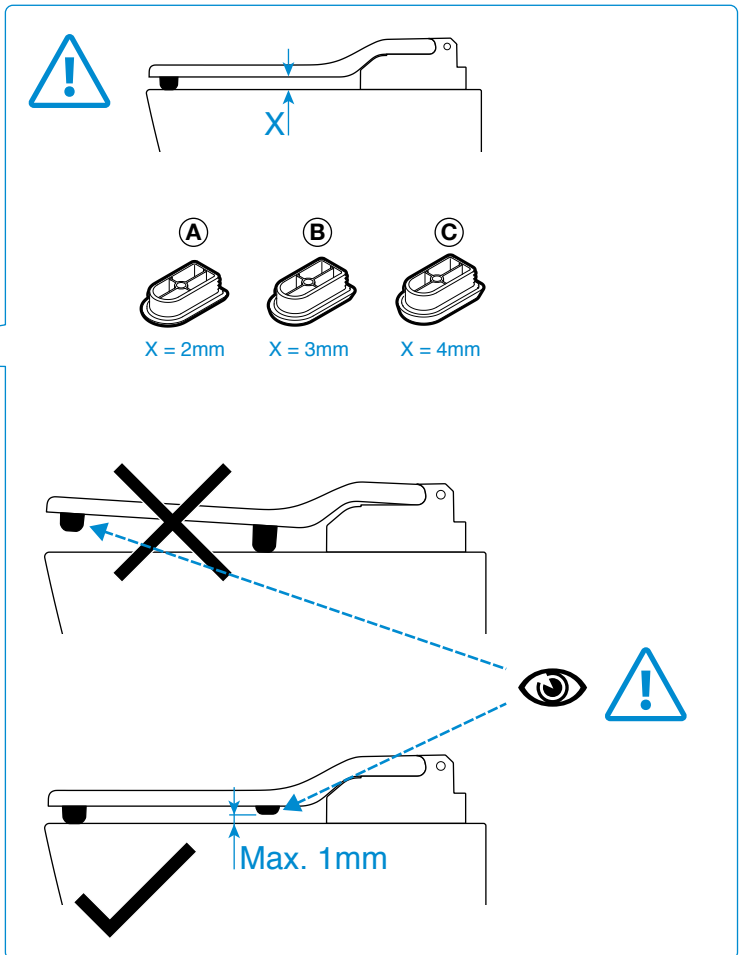
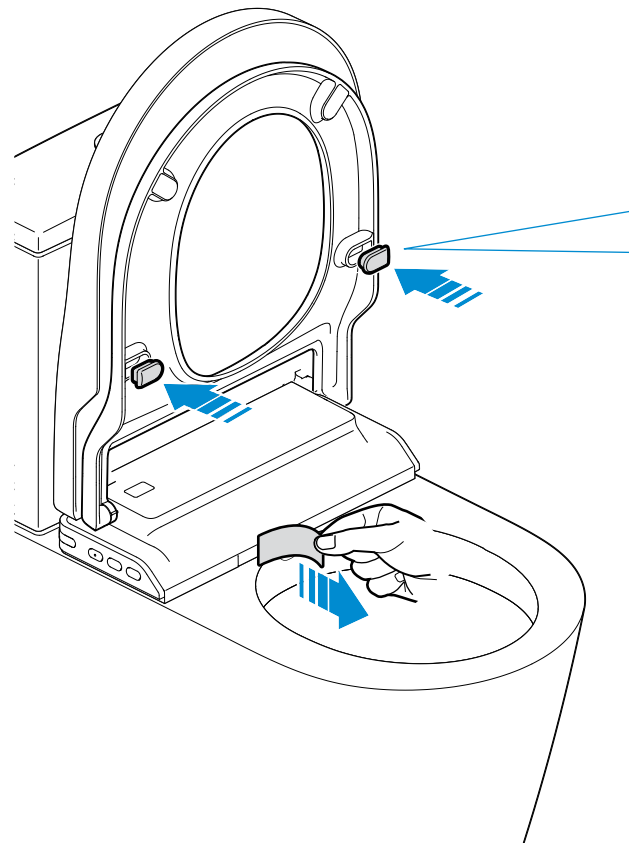
18



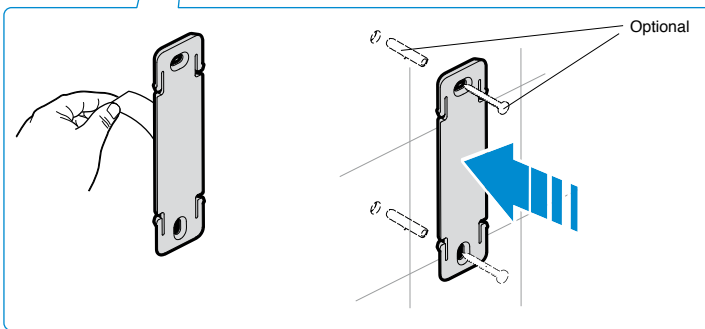
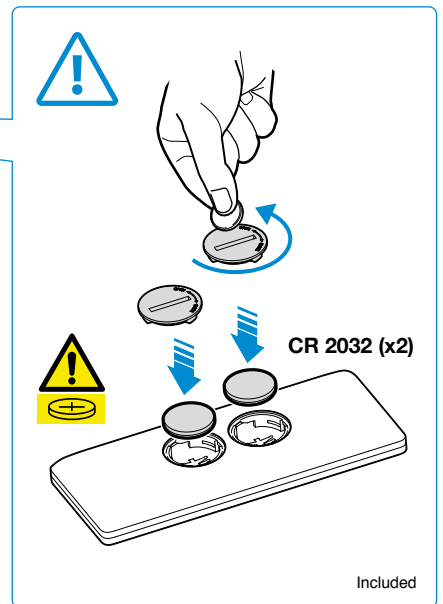
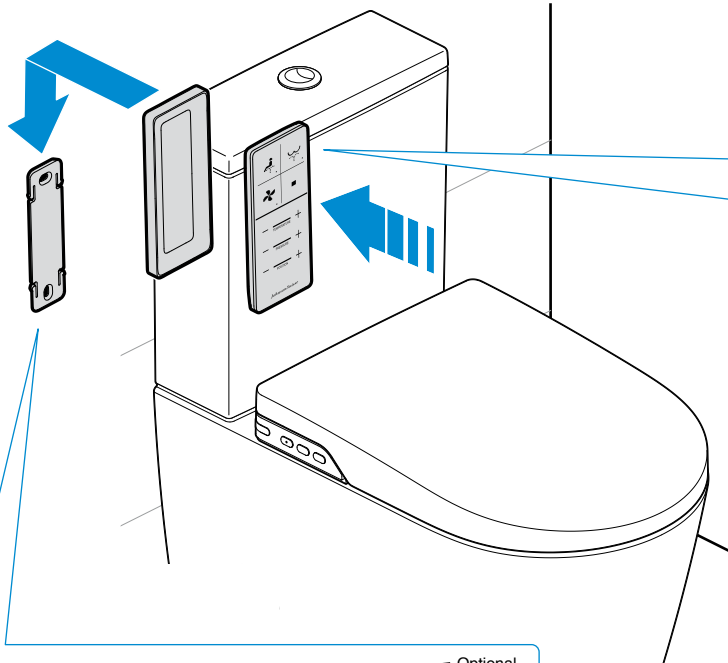
19



20



21



22

