

# GEMELLI

## WALL HUNG RIMLESS TOILET PAN

**JohnsonSuisse**  
Bathroom Solutions

CODE:  
JTTG705.712

### FEATURES

- RIMLESS BOWL THAT ENSURES EFFICIENT FLUSHING WITHOUT SPLASHING!
- PAN HEIGHT 330MM, PROJECTION 490MM.
- CONCEALED WALL MOUNTING SYSTEM. COMPATIBLE WITH J2986 ECONOFLUSH FRAMED IN WALL CISTERN
- DUROPLAST SOFT-CLOSE QUICK RELEASE SEAT
- 3/4.5L DUAL FLUSHING, 4 WELS RATED (REGISTRATION: L06873)

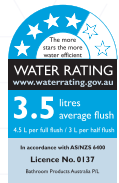
### COMPONENTS

GEMELLI WALL FACED RIMLESS TOILET PAN JTTG705  
GEMELLI SOFT-CLOSE QUICK-RELEASE SEAT JSEG712

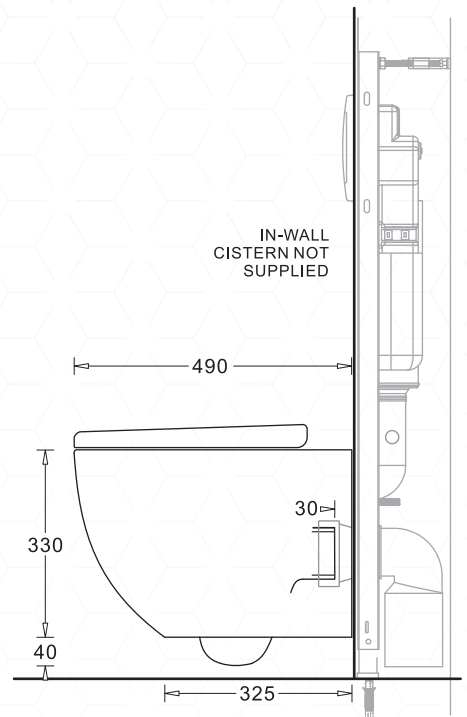
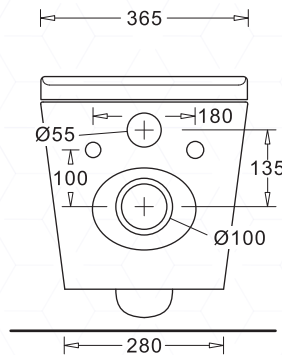
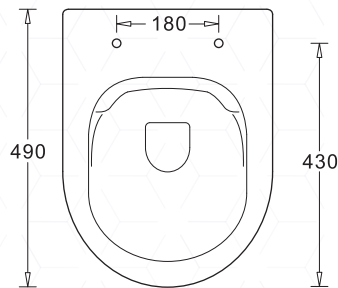
### WARRANTY

VC 25 YEARS, SEAT 5 YEARS PRODUCTS REPLACEMENT

- refer to T&C's at johnsonsuise.com.au



### PRODUCT DIMENSIONS



### OPTIONS

GEMELLI SEAT HINGE BOLT KIT XJTTG02

### TECHNICAL DATA SHEET

SUPERSEDES ALL PREVIOUS ISSUES

All dimensions are in millimetres and are subject to normal manufacturing variation.  
As product development is ongoing BPA reserves the right to vary specifications without notice.  
**Bathroom Products Australia P/L** ABN 87 079 297 617

**JohnsonSuisse**  
Bathroom Solutions

2/97 Banksia St., Botany, NSW 1919  
TEL: 1300 717 717 FAX: 1300 746 480  
www.johnsonsuise.com.au

V3 0221

**INSTALLATION INSTRUCTIONS**  
**GEMELLI Rimless Wall Hung Pan**  
**Code: JTTG705**

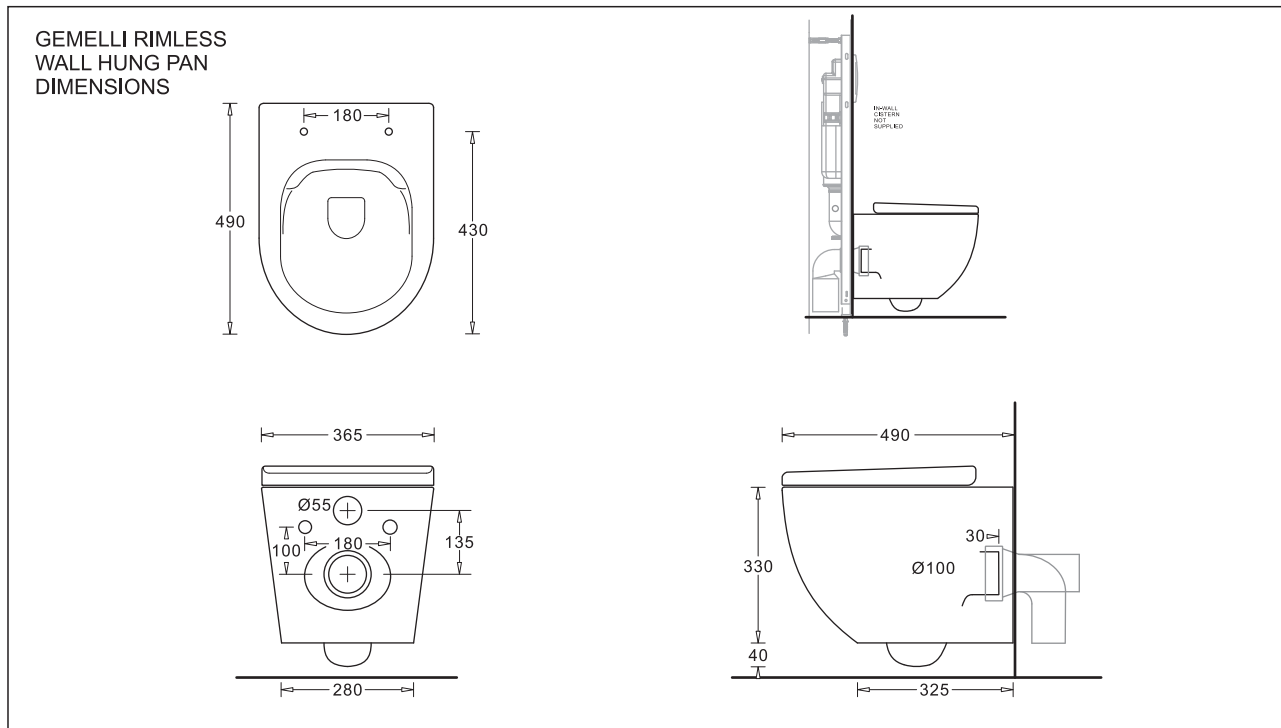
**DESCRIPTION**

The Gemelli Wall-Hung pan has a rimless, vitreous china design that provides a hygienic flush.

The pan is designed to be used with a framed, load supporting, in-wall cistern.(Johnson Suisse in-wall cistern J2986 is recommended).

It has a bolt mounting system that is concealed after installation.

A quick release, removable, soft close seat that is attached via top-fixed bolts is supplied (Code JSEG712).



**Scope of Use - Gemelli Rimless Wall Hung Pan**

- This toilet pan is manufactured in vitreous china and is a rimless close-coupled design.
- The pan is suitable for installation for general use in interior domestic or commercial applications.
- This toilet pan complies with AS1172.1 and when installed with a Johnson Suisse J2986 in-wall cistern has a load bearing limit of 200kg.
- Installation is subject to the National Construction Code Vol.3 - Plumbing Code of Australia and associated reference Standards that may be applicable at the time.
- To comply with the terms of the BPA warranty the product must be installed by a licenced plumber to the provided instructions.
- External vitreous china surfaces should be cleaned with a soft, damp cloth and mild detergent.  
The interior of the flushing bowl should be regularly cleaned with a toilet brush and proprietary toilet cleanser.