

GEMELLI

WALL FACED RIMLESS TOILET PAN

JohnsonSuisse
Bathroom Solutions

CODE:
JTTG711.715

FEATURES

- RIMLESS BOWL THAT ENSURES EFFICIENT FLUSHING WITHOUT SPLASHING!
- PAN HEIGHT 410MM, PROJECTION 570MM.
- CONCEALED WALL MOUNTING SYSTEM. COMPATIBLE WITH J2981 ECONOFLUSH UNFRAMED IN WALL CISTERN
- DUROPLAST SOFT-CLOSE QUICK RELEASE SEAT
- 3/4.5L DUAL FLUSHING, 4 WELS RATED (REGISTRATION: L06861)
- CAN BE INSTALLED IN S OR P TRAP CONFIGURATION
- COMES WITH S TRAP PAN CONNECTOR WITH A SET OUT:120-145MM

COMPONENTS

GEMELLI RIMLESS WALL FACED PAN	JTTG711
GEMELLI QUICK-RELEASE SOFT-CLOSE SEAT	JSEG715

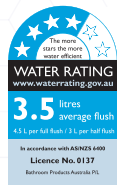
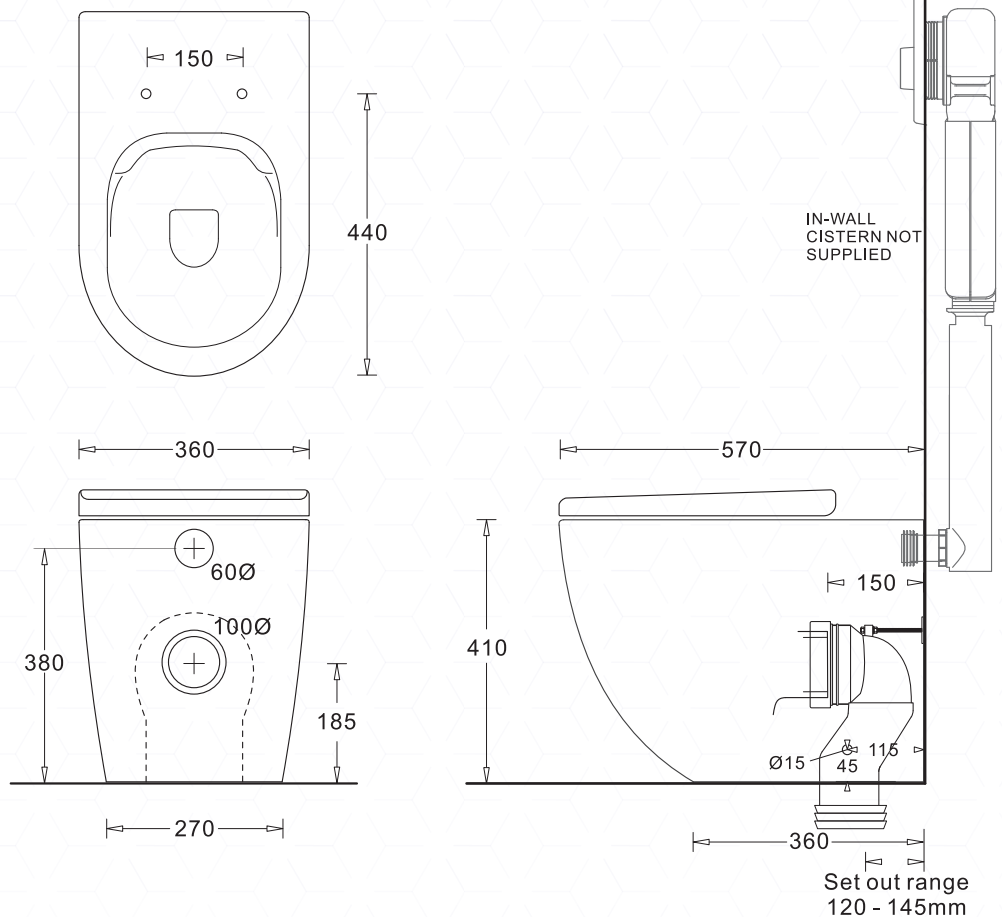
WARRANTY

VC 25 YEARS, SEAT 5 YEARS PRODUCTS REPLACEMENT

- refer to T&C's at johnsonsuisse.com.au



PRODUCT DIMENSIONS



OPTIONS

GEMELLI SEAT HINGE BOLT KIT XJTTG02

TECHNICAL DATA SHEET

SUPERSEDES ALL PREVIOUS ISSUES

All dimensions are in millimetres and are subject to normal manufacturing variation.
As product development is ongoing BPA reserves the right to vary specifications without notice.
Bathroom Products Australia P/L ABN 87 079 297 617

JohnsonSuisse
Bathroom Solutions

2/97 Banksia St., Botany, NSW 1919
TEL: 1300 717 717 FAX: 1300 746 480
www.johnsonsuisse.com.au

V3 0221

INSTALLATION INSTRUCTIONS
GEMELLI Rimless Wall Faced Pan
Code JTTG711

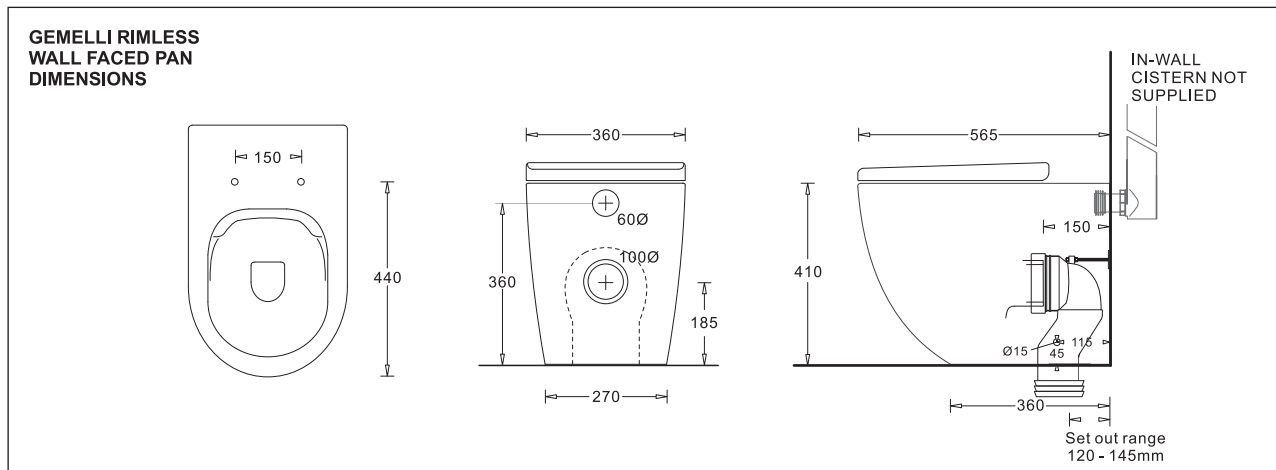
DESCRIPTION

The Gemelli wall faced pan has a rimless design that provides a hygienic flush. The pan may be installed in S or P trap configuration. Only an S Trap connector is provided.

The pan is designed to be used with an in-wall cistern. (Recommend to use BPA's mechanical cistern J2981 or pneumatic J2982)

The pan has a quick release, removable soft close seat that is attached via top-fixed bolts (Code JSEG715).

Floor fixing brackets are provided.

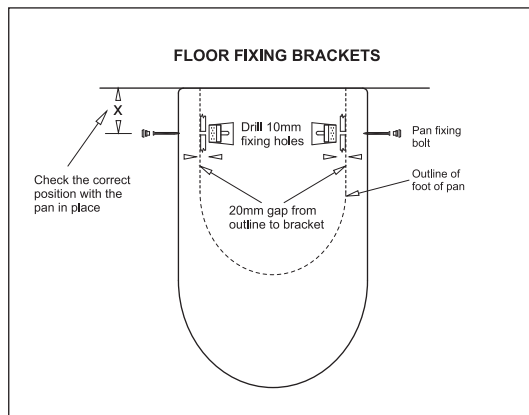


CISTERN

- Install an in-wall cistern to supplier's instructions.
 - Note that the flush-water inlet at the back of the pan needs to be located 365mm above floor level.
- IMPORTANT:** for a leak-free connection, ensure flush-pipe is fully inserted into the keeseal, and keeseal fully inserted into pan!

INSTALLATION STEPS

1. Inspect the pan, and seat for any transit damage before starting installation.
2. Check site roughing in, water supply position and assembly dimensions before commencing installation.
3. The WC pan can be installed by setting in a mortar bed or using the concealed pan-fixing bracket.
4. Place the pan in position ensuring it is aligned with the centerline of the sewer connection. Mark the location of the pan fixing bolt holes (Dimension x in Diagram).
5. Remove pan and locate the position of the floor brackets 20mm in from the external edges of the pan side. Drill the holes (10mm) to attach the floor fixing brackets.
6. For S Trap installation cut the pan connector fitting to the correct length to suit the set out of the installation ensuring that the connector fits onto the pan outlet spigot by at least 40mm.
7. Fix the bracing prop to the back wall. Check that both the water inlet and pan outlet connections fit correctly with the pan fully back against the wall.
8. Screw the fixing bolts into the floor brackets to fix the pan securely to the floor



GENERAL

1. Fill the cistern, and check the water level, if necessary adjust to the fill mark.
2. Test flush several times while checking for leaks at the pan connector and the cistern connection.
3. Fit the toilet seat.

Scope of Use - Gemelli Rimless Wall Faced Pan

- This toilet pan is manufactured in vitreous china and is a rimless close-coupled design.
- The pan is suitable for installation for general use in interior domestic or commercial applications.
- The pan is supplied in a P Trap configuration with S Trap installation achieved using a plastic converting pan connector.
- The Gemelli wall faced toilet pan complies with AS1172.1 and has a load bearing limit of 200kg.
- Installation is subject to the National Construction Code Vol.3 - Plumbing Code of Australia and associated reference Standards that may be applicable at the time.
- To comply with the terms of the BPA warranty the product must be installed by a licenced plumber to the provided instructions.
- External vitreous china surfaces should be cleaned with a soft, damp cloth and mild detergent. The interior of the flushing bowl should be regularly cleaned with a toilet brush and proprietary toilet cleanser.