

INSTALLATION INSTRUCTIONS

GEMELLI Rimless FTW Suite

Code JTTG301.JTTG302

JohnsonSuisse
Bathroom Solutions

DESCRIPTION

The **Gemelli** suite is a fully concealed, rimless back to wall suite.

The suite is supplied with an adjustable S Trap connector fitting that permits a 95-200mm set out range.

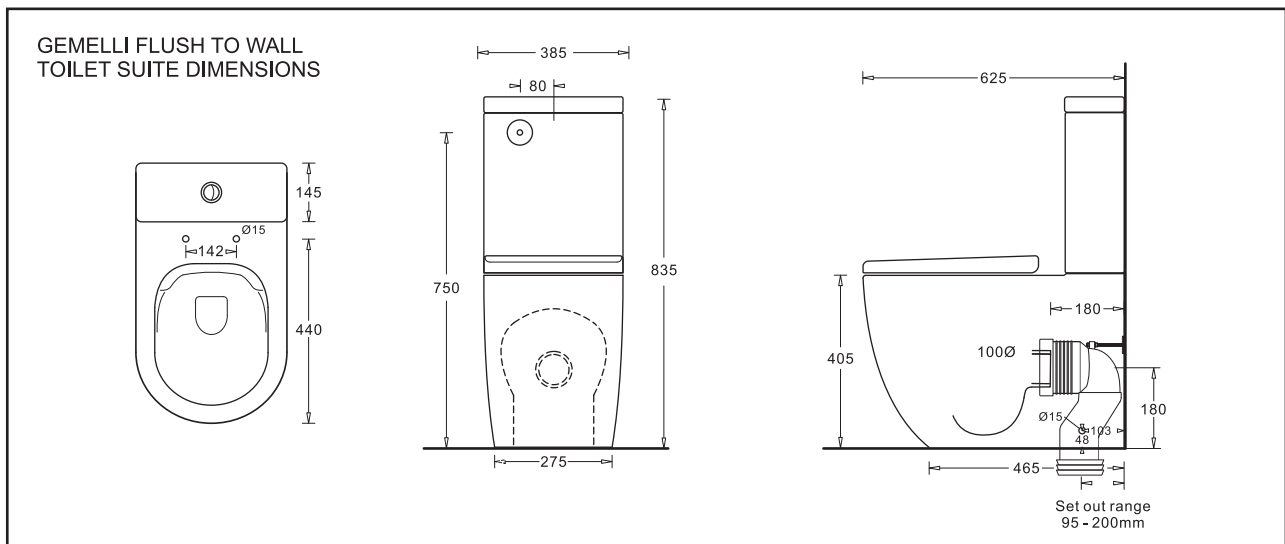
The suite can also be connected in a P Trap configuration (fittings not supplied).

The water inlet is back entry with optional bottom entry and adjustable for left or right side available.

The cistern is bolted to the pan from inside the cistern tank and can be removed if necessary for servicing.

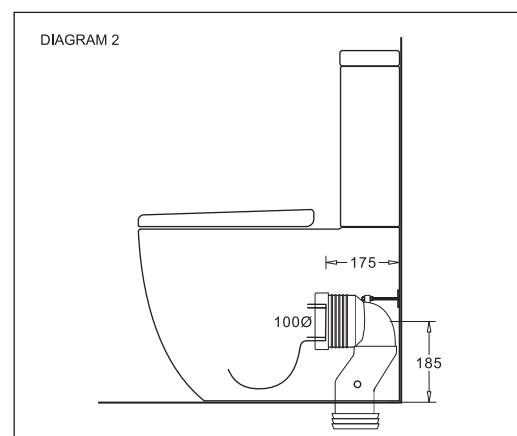
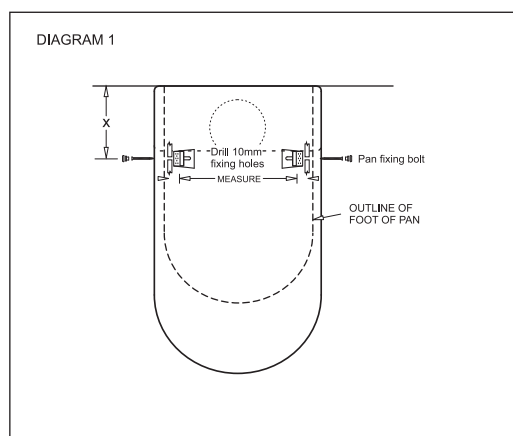
The suite has a soft close seat that is attached via top-fixed bolts. The seat (JSEG12) is easily removable for cleaning.

Floor fixing brackets are provided.



INSTALLATION STEPS

1. Inspect pan, cistern and seat for any transit damage before starting installation.
2. Check site roughing in, cistern tap position and assembly dimensions before starting installation. The WC must be installed on a level surface.
3. Place the pan in position ensuring it is aligned with the centreline of the sewer connection. Mark the location of the pan fixing bolt holes (DIAGRAM 1 Dimension x).
4. Remove pan and locate the position of the floor brackets and measuring the internal width of the pan base. Drill the holes (10mm) to attach the floor fixing brackets. (DIAGRAM 1)



INSTALLATION INSTRUCTIONS

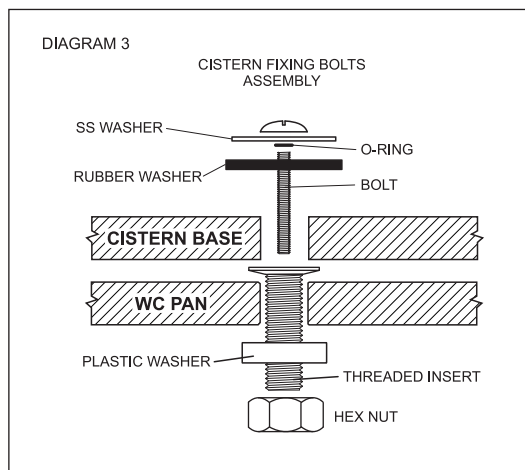
GEMELLI Rimless FTW Suite

Code JTTG301.JTTG302

5. For S Trap installation cut the pan connector fitting to the correct length to suit the set out of the installation ensuring that the connector fits onto the pan outlet spigot by at least 40mm. Fix the bracing prop to the back wall. Check the outlet connection fits correctly with the pan fully back against the wall.(DIAGRAM 2)
6. For P Trap installations a pan connector and extension will be required.
7. Fit the threaded cistern fixing inserts into the holes in the cistern platform of the pan (DIAGRAM 3)
9. Move the pan back into position ensuring it seals with the pan connector.
10. Fit the screws into the floor fixing brackets and affix decorative caps. A waterproof sealant may be applied to the pan base.
Note - if mortar bedding is required use a 4:1 sand and standard cement mix (**do not use Rapid Hardening Cement**). If the floor is tiled, cut out the tiles beneath the pan to create a good bonding surface.
11. Cistern fitting - The water supply to the inlet valve must be connected in accordance with AS/NZ3500.1.
 - a. Check that the inlet and outlet valve securing nuts are firmly tightened to prevent leaks. Do not over-tighten.
 - b. Fit rubber sealing ring to the outlet valve base and fit the cistern to the pan using the seals, washers and bolts provided (DIAGRAM 3). Screw down firmly and evenly to compress the rubber sealing ring.
 - c. Flush out the supply pipes before connecting the water supply. This is particularly important in new installations.
 - e. Connect the flexihose from the water supply to the inlet valve. NOTE: THE FLEXIHOSE MUST NOT BE SUBMERGED IN THE CISTERN TANK.
12. Fill the cistern and check the water level, if necessary adjust the inlet valve float so the water is at the indicated level.
13. Attach the cistern lid and buttons and test flush several times while checking for leaks
14. Fit seat
12. Fill the cistern and check the water level, if necessary adjust the inlet valve float so the water is at the indicated level.
13. Attach the cistern lid and buttons and test flush several times while checking for leaks
14. Fit seat

Note:

This suite is supplied with a back entry water inlet valve as standard. A conversion valve for a bottom entry water inlet is available as an optional extra.



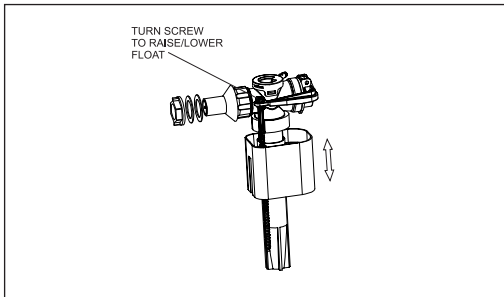
Scope of Use - Gemelli Toilet Suite

- This toilet suite is manufactured in vitreous china and is a rimless close-coupled design. The pan and cistern are supplied as a matched set.
- The suite is suitable for installation for general use in interior domestic or commercial applications.
- The suite is supplied in a P Trap configuration with S Trap installation achieved using a plastic converting pan connector. This connector provides some flexibility in the possible set-out range.
- The Gemelli toilet suite complies with AS1172 Parts 1 & 2 and has a load bearing limit of 200kg.
- The operating inlet water pressure range is 20-800kPa.
- Installation is subject to the National Construction Code Vol.3 - Plumbing Code of Australia and associated reference Standards that may be applicable at the time.
- To comply with the terms of the BPA warranty the product must be installed by a licenced plumber to the instructions provided.
- External vitreous china surfaces should be cleaned with a soft, damp cloth and mild detergent. The interior of the flushing bowl should be regularly cleaned with a toilet brush and proprietary toilet cleanser.
- Chemical/chlorine water sanitisers must not be used in the cistern tank.

VALVE SERVICE

INLET VALVE SERVICE

1. Water level adjustment



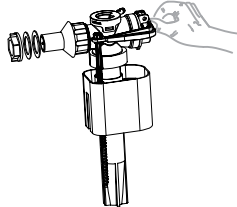
WARNING

DO NOT USE CHLORINE/CHEMICAL SANITISERS IN THE CISTERN TANK. SUCH USE MAY RESULT IN DAMAGE TO TANK COMPONENTS AND WILL VOID THE PRODUCT WARRANTY

2. Cleaning the diaphragm

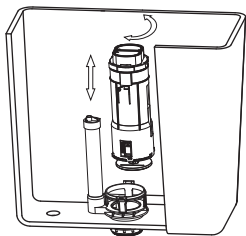
It is possible for dirt/debris to prevent the valve shutting off. To remedy this the diaphragm may be cleaned as follows:

1. Unclip the float arm from the adjustment screw
2. Twist the plastic top-assembly firmly anti-clockwise and remove it from the valve body
3. Inspect both rubber diaphragm and valve seat. Rinse under running water to remove dirt/debris
5. Re assemble in reverse order



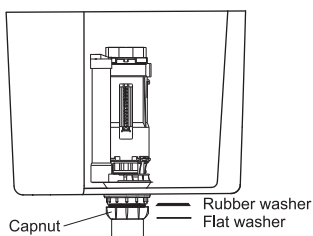
OUTLET VALVE SERVICE

Removal



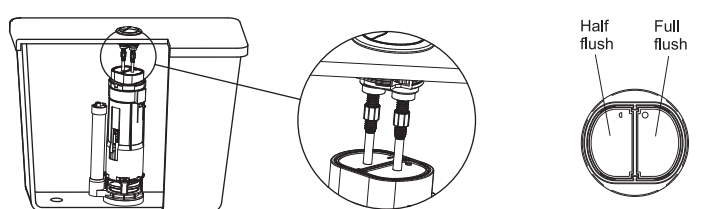
Valve may be removed for service - twist to unlock

Assembly



Capnut must be hand tightened to correctly seal flush pipe

Push button rod settings

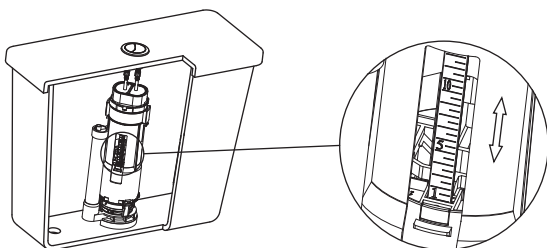


Button rods must be just clear of the valve pads

Button rods can be adjusted by screwing up or down

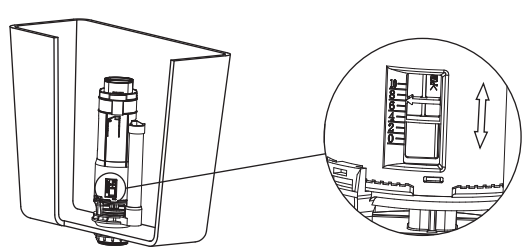
Ensure that buttons match valve pads

Half flush adjustment



Half flush volume can be adjusted by moving the side float up or down. Moving the float DOWN increases the half flush. Moving the float UP decreases the half flush

Full flush adjustment



The full flush volume can be adjusted by changing the residual water level in the cistern. Move the adjuster DOWN to increase the volume. Move the adjuster UP to decrease the volume.