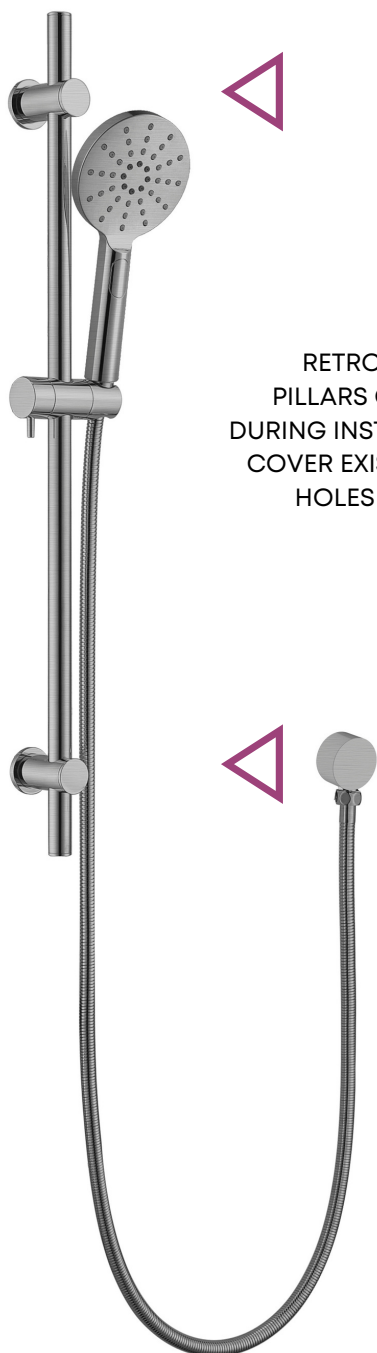
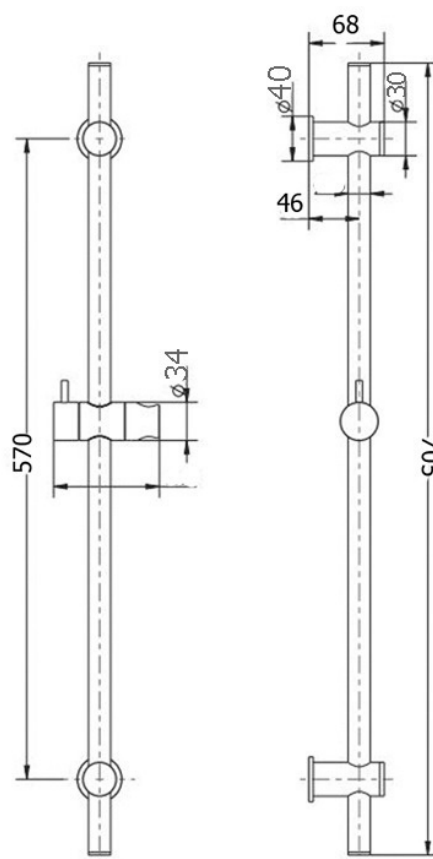


HANDSHOWERS BRUSHED NICKEL

NEW



RETROFIT RAIL.
PILLARS CAN MOVE
DURING INSTALLATION, TO
COVER EXISTING FIXING
HOLES IN WALL



EVE 1646935 BRUSHED NICKEL
3 SPRAY PATTERN
SLIMLINE RETROFIT RAIL
ROUND DESIGN
BRASS ELBOW
1.5M DOUBLE HOOKED METAL HOSE

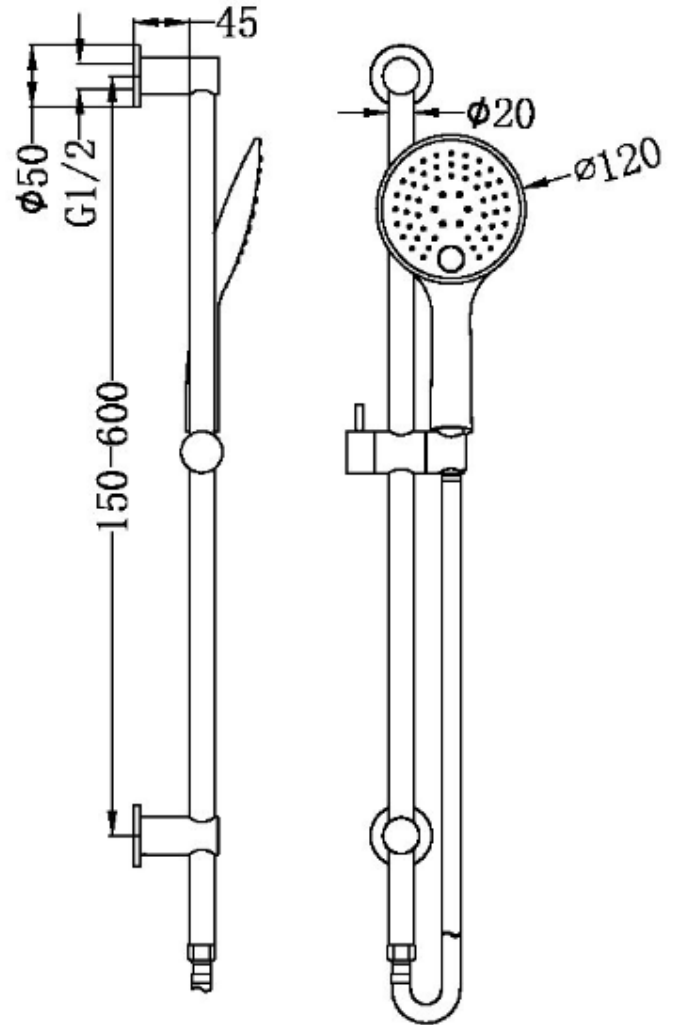
FIXING PILLARS CAN SLIDE ON
RAIL TO DESIRED FIXING POINT.
PVD BRUSHED NICKEL
22mm RAIL DIA

WELS 4 STAR 6LPM

HAND SHOWERS BRUSHEL NICKEL



WATER INLET

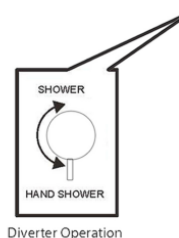
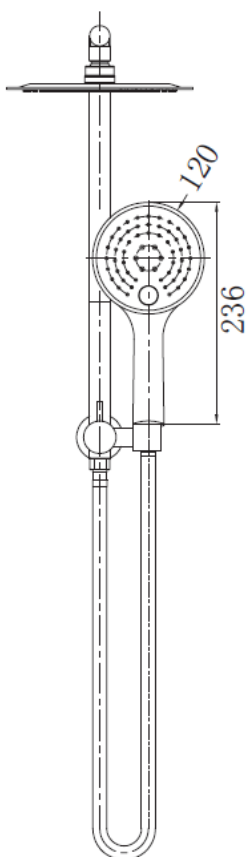
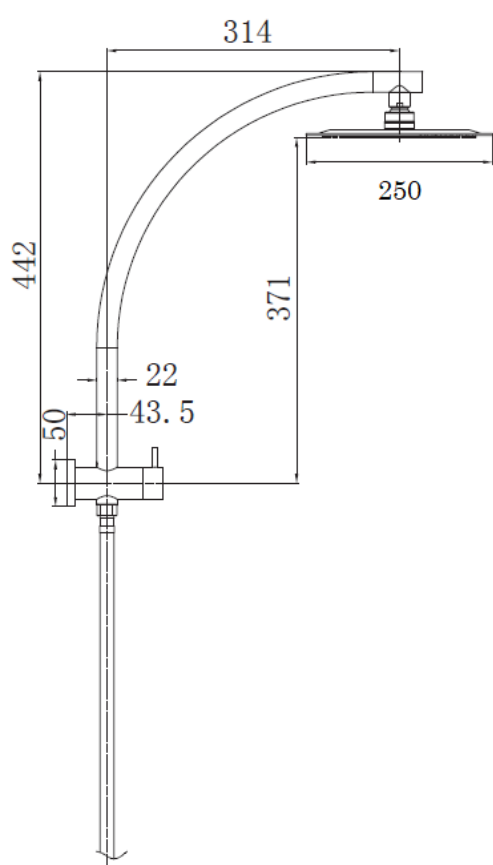


FRESH 1630830 BRUSHED NICKEL
3 SPRAY PATTERN ON HANDPIECE
ROUND DESIGN
WATER INLET IS IN TOP PILLAR
NO ELBOW
PVD BRUSHED NICKEL
WELS 4 STAR 7.5LPM

COMBO SHOWERS

BRUSHED NICKEL

EXTRA LARGE BRASS
DUMPER 250MM



Diverter Operation



FRESH 1630833
2 IN 1 SHOWER COMBO
3 SPRAY PATTERN ON HANDPIECE
250MM BRASS OVERHEAD ROSE
ROUND DESIGN

CONCEALED WATER INLET
PVD BRUSHED NICKEL
WELS 3 STAR 8.5LPM

NR280705fBN

