

# Aulic



*Emerald Collection*

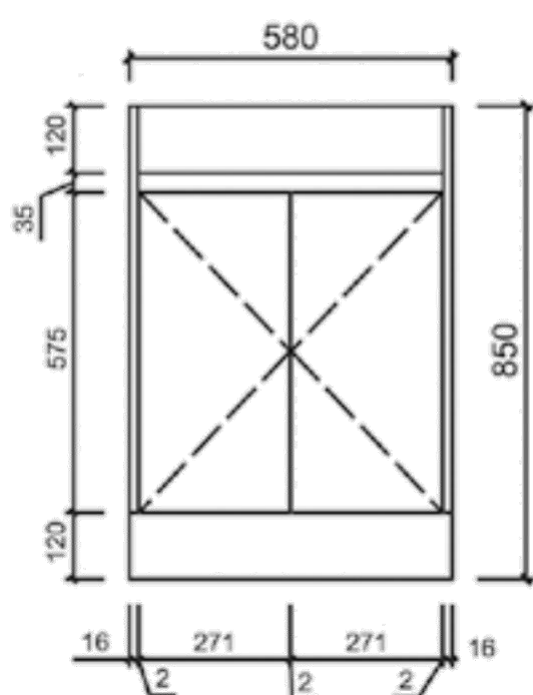
## York

Code: CA21

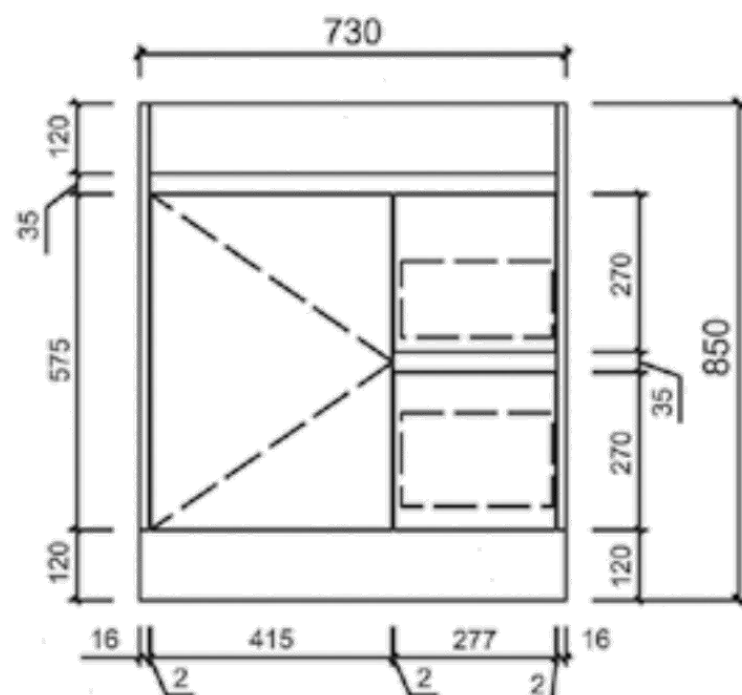
### Features:

- Overall Length: from 600mm to 900mm
- Overall Depth : 360mm
- With ceramic top only
- Soft-closing drawers and doors
- Full extention drawers
- Premium graphite interior
- Bevel-grip finger pull

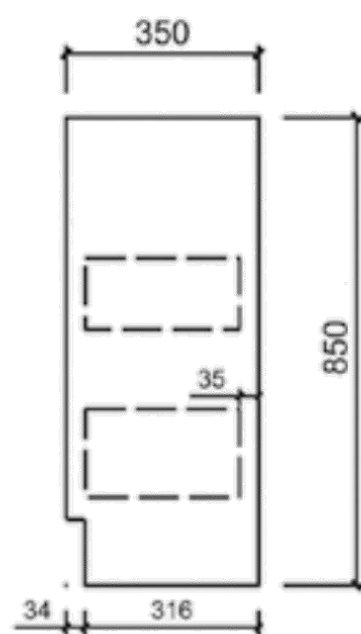
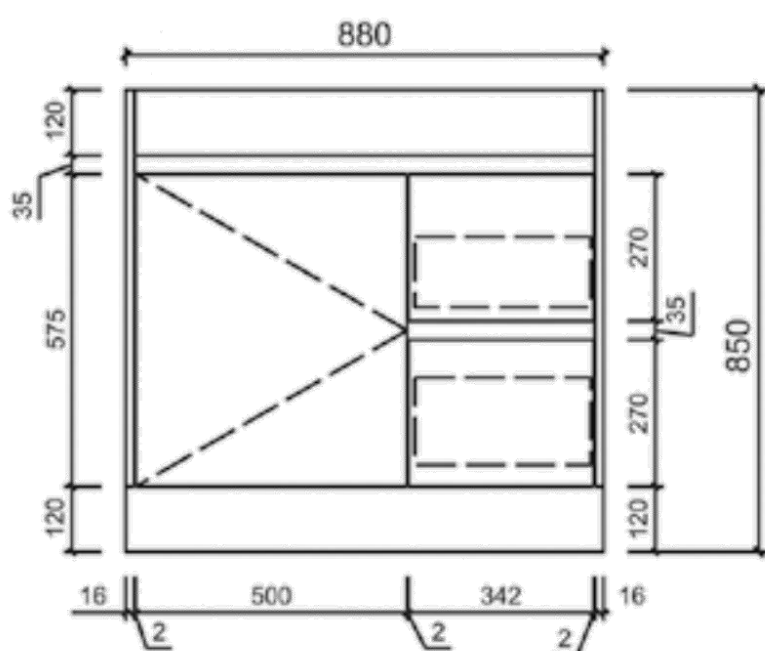
CA21-600



CA21-750



CA21-900



End view

