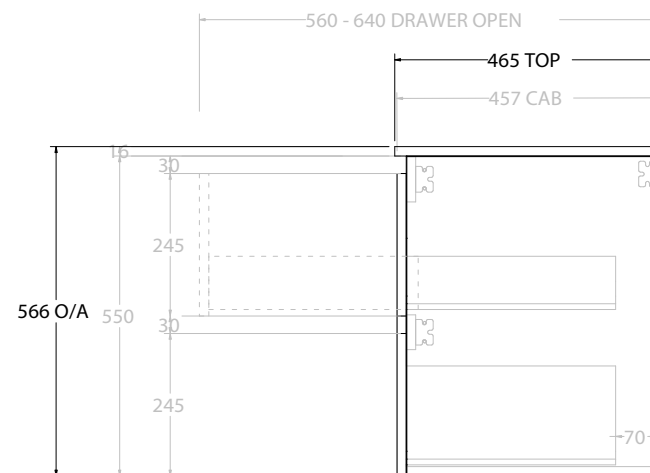
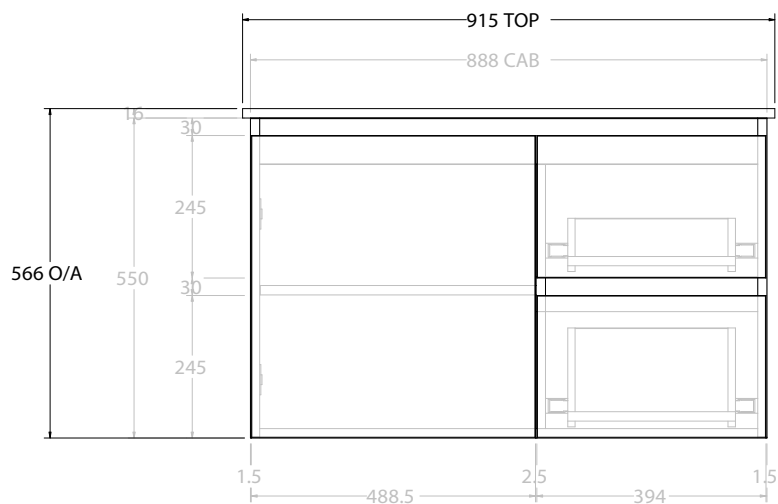
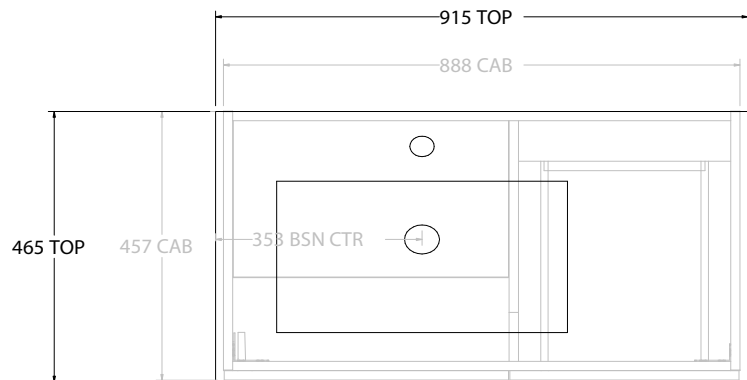


Adp

| | | |
|----------------|---|----------------------|
| PRODUCT: | GLACIER DOOR & DRAWER TWIN 900 WALL HUNG CENTRE BASIN | |
| CODE: | LITE: GLLFCW0900WHCCE | PRO: GLPFCW0900WHCCE |
| MOUNTING: | WALL HUNG | |
| SIZE: | 915W X 465D X 566H | |
| CONFIGURATION: | DOOR & DRAWER | |
| VERSION: 02 | DATE: | 15/03/2023 |

| | |
|-----------------|---------------------|
| TOP: | CERAMIC GLACIER 900 |
| BASIN POSITION: | CENTRE BASIN |

| |
|--|
| NOTES: |
| ALL DIMENSIONS ARE NOMINAL AND SUBJECT TO CHANGE. DO NOT DRILL OR ROUGH IN UNTIL YOU HAVE RECEIVED AND MEASURED YOUR PRODUCT. ALL DIMENSIONS ARE IN MILLIMETRES. DO NOT MEASURE FROM DRAWING. |



| | | |
|----------------|---|-----------------------|
| PRODUCT: | GLACIER DOOR & DRAWER TWIN 900 WALL HUNG OFFSET BASIN | |
| CODE: | LITE: GLLFCW0900WHLCE* | PRO: GLPFCW0900WHLCE* |
| MOUNTING: | WALL HUNG | |
| SIZE: | 915W X 465D X 566H | |
| CONFIGURATION: | DOOR & DRAWER | |
| VERSION: | 02 | DATE: 15/03/2023 |

| | |
|-----------------|---------------------|
| TOP: | CERAMIC GLACIER 900 |
| BASIN POSITION: | OFFSET BASIN |

| |
|---|
| NOTES: |
| ALL DIMENSIONS ARE NOMINAL AND SUBJECT TO CHANGE. |
| DO NOT DRILL OR ROUGH IN UNTIL YOU HAVE RECEIVED AND MEASURED YOUR PRODUCT. |
| ALL DIMENSIONS ARE IN MILLIMETRES. |
| DO NOT MEASURE FROM DRAWING. |
| *LEFT HAND OFFSET PICTURED, RIGHT HAND OFFSET IS SAME BUT MIRRORRED (REPLACE CODE SUFFIX LCE, WITH RCE) |