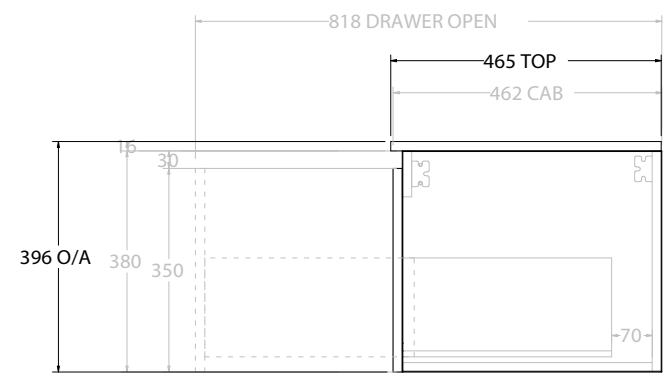
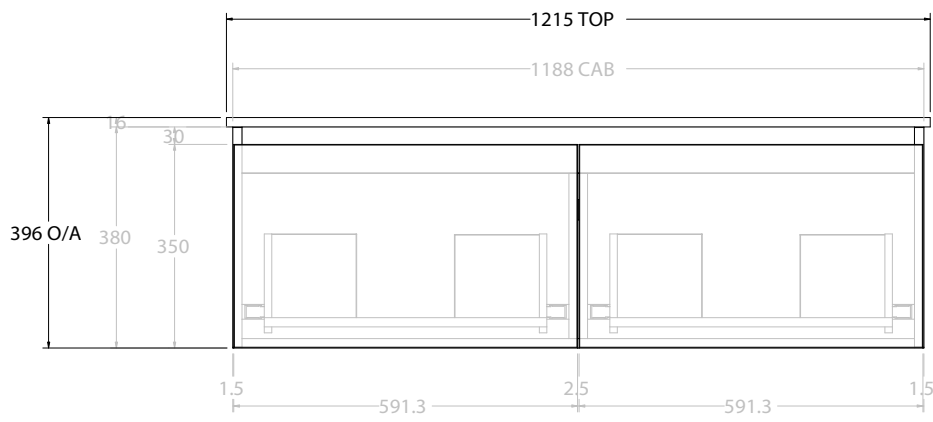
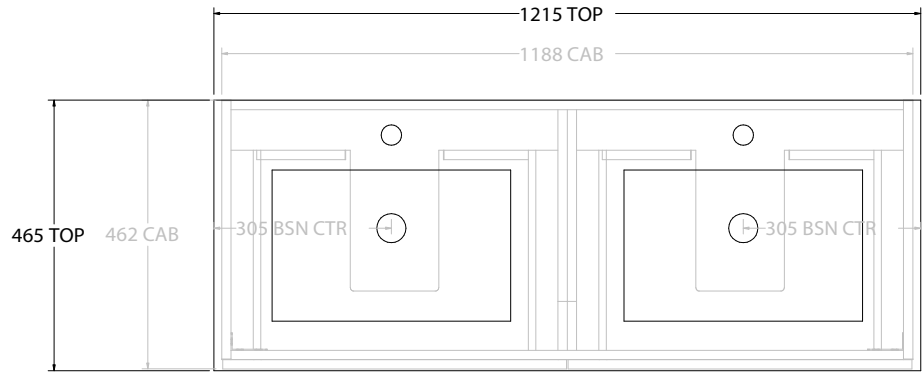


PRODUCT:	GLACIER ALL DRAWER SLIM 1200 WALL HUNG CENTRE BASIN	
CODE:	LITE: GLLFAS1200WHCCE	PRO: GLPFAS1200WHCCE
MOUNTING:	WALL HUNG	
SIZE:	1215W X 465D X 496H	
CONFIGURATION:	ALL DRAWER	
VERSION:	01	DATE: 23/08/22

TOP:	CERAMIC GLACIER 1200
BASIN POSITION:	CENTRE BASIN

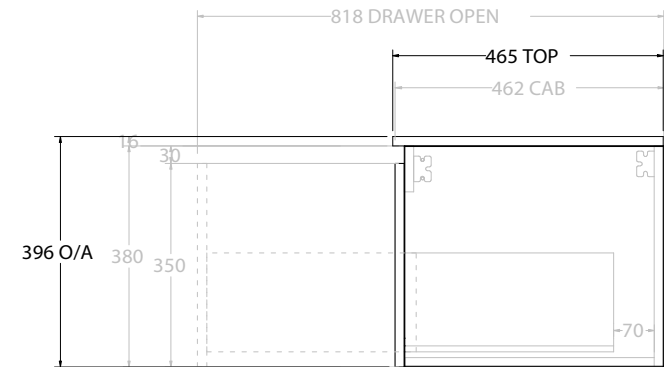
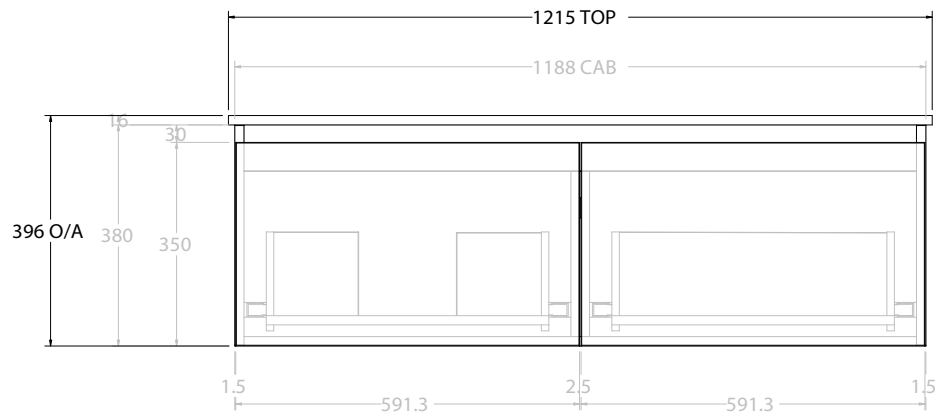
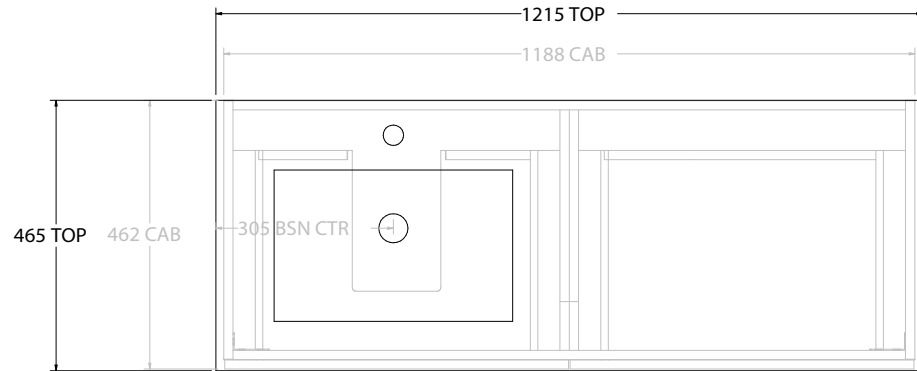
NOTES:
ALL DIMENSIONS ARE NOMINAL AND SUBJECT TO CHANGE.
DO NOT DRILL OR ROUGH IN UNTIL YOU HAVE RECEIVED AND MEASURED YOUR PRODUCT.
ALL DIMENSIONS ARE IN MILLIMETRES.
DO NOT MEASURE FROM DRAWING.



PRODUCT:	GLACIER ALL DRAWER SLIM 1200 WALL HUNG DOUBLE BASIN	
CODE:	LITE: GLLFAS1200WHDC	PRO: GLPFAS1200WHDC
MOUNTING:	WALL HUNG	
SIZE:	1215W X 465D X 496H	
CONFIGURATION:	ALL DRAWER	
VERSION:	01	DATE: 22/08/22

TOP:	CERAMIC GLACIER 1200
BASIN POSITION:	DOUBLE BASIN

NOTES:
 ALL DIMENSIONS ARE NOMINAL AND SUBJECT TO CHANGE.
 DO NOT DRILL OR ROUGH IN UNTIL YOU HAVE RECEIVED AND MEASURED YOUR PRODUCT.
 ALL DIMENSIONS ARE IN MILLIMETRES.
 DO NOT MEASURE FROM DRAWING.



Adp

PRODUCT:	GLACIER ALL DRAWER SLIM 1200 WALL HUNG OFFSET BASIN	
CODE:	LITE: GLLFAS1200WHLCE*	PRO: GLPFAS1200WHLCE*
MOUNTING:	WALL HUNG	
SIZE:	1215W X 465D X 496H	
CONFIGURATION:	ALL DRAWER	
VERSION:	01	DATE: 22/08/22

TOP:	CERAMIC GLACIER 1200
BASIN POSITION:	OFFSET BASIN

NOTES:
ALL DIMENSIONS ARE NOMINAL AND SUBJECT TO CHANGE.
DO NOT DRILL OR ROUGH IN UNTIL YOU HAVE RECEIVED AND MEASURED YOUR PRODUCT.
ALL DIMENSIONS ARE IN MILLIMETRES.
DO NOT MEASURE FROM DRAWING.
*LEFT HAND OFFSET PICTURED, RIGHT HAND OFFSET IS SAME BUT MIRRORED (REPLACE CODE SUFFIX LCE, WITH RCE)