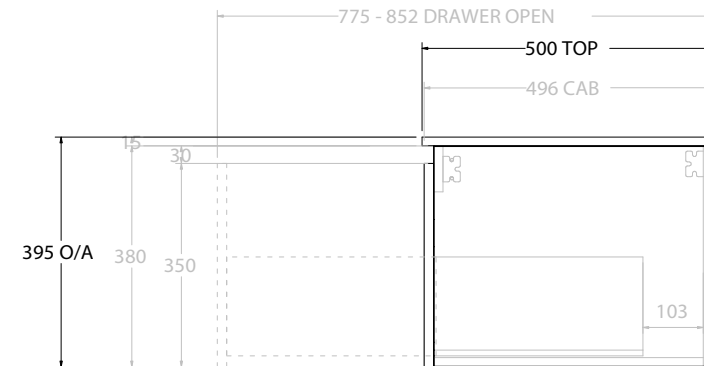
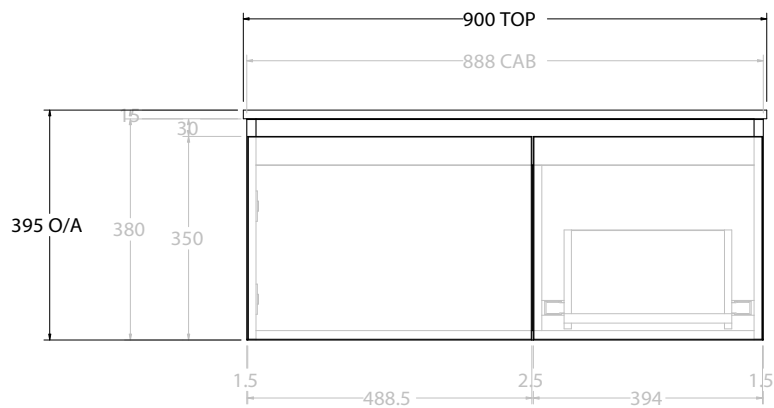
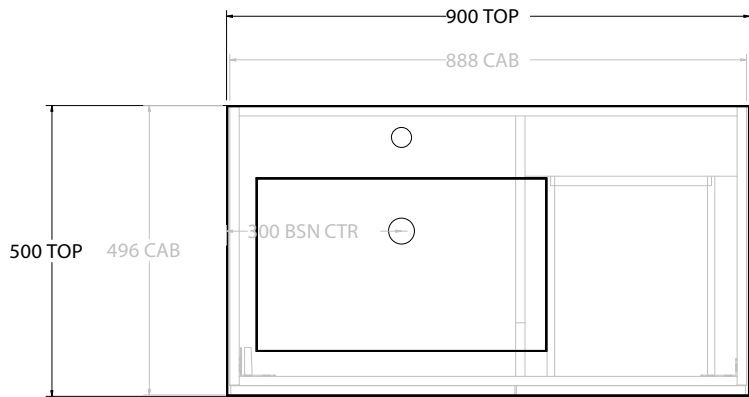


PRODUCT:	GLACIER DOOR & DRAWER SLIM 900 WALL HUNG CENTRE BASIN	
CODE:	LITE: GLLFCS0900WHCCM	PRO: GLPFC50900WHCCM
MOUNTING:	WALL HUNG	
SIZE:	900W X 500D X 395H	
CONFIGURATION:	DOOR & DRAWER	
VERSION:	01	DATE: 15/08/22

TOP:	CAST MARBLE LAURETTA 900
BASIN POSITION:	CENTRE BASIN

NOTES:
ALL DIMENSIONS ARE NOMINAL AND SUBJECT TO CHANGE. DO NOT DRILL OR ROUGH IN UNTIL YOU HAVE RECEIVED AND MEASURED YOUR PRODUCT. ALL DIMENSIONS ARE IN MILLIMETRES. DO NOT MEASURE FROM DRAWING.



Adp

PRODUCT:	GLACIER DOOR & DRAWER SLIM 900 WALL HUNG OFFSET BASIN	
CODE:	LITE: GLLFCS0900WHLCM*	PRO: GLPFC50900WHLCM*
MOUNTING:	WALL HUNG	
SIZE:	900W X 500D X 395H	
CONFIGURATION:	DOOR & DRAWER	
VERSION:	01	DATE: 15/08/22

TOP:	CAST MARBLE LAURETTA 900
BASIN POSITION:	OFFSET BASIN

NOTES:
ALL DIMENSIONS ARE NOMINAL AND SUBJECT TO CHANGE. DO NOT DRILL OR ROUGH IN UNTIL YOU HAVE RECEIVED AND MEASURED YOUR PRODUCT. ALL DIMENSIONS ARE IN MILLIMETRES. DO NOT MEASURE FROM DRAWING. *LEFT HAND OFFSET PICTURED, RIGHT HAND OFFSET IS SAME BUT MIRRORED (REPLACE CODE SUFFIX L, WITH R)